

10' x 20' MERIDIAN WOOD ROOM w/LOUVERED ROOF

Installation and Operating Instructions – YM11836



IMPORTANT, RETAIN FOR FUTURE REFERENCE: READ CAREFULLY

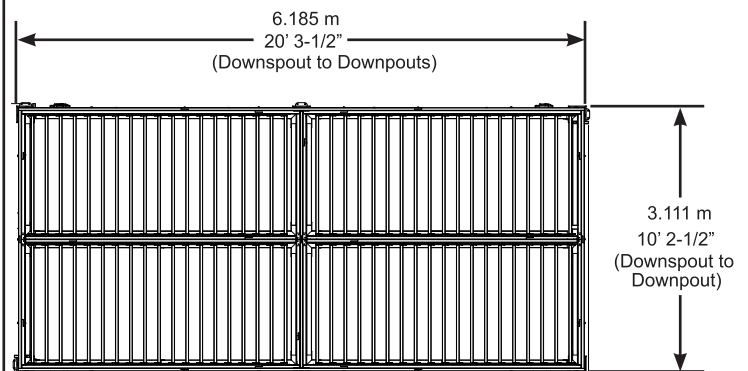
HEIGHT:
2.527m / 8' 3-1/2"

Revised 4-13-2022



Yardistry – North America
Toll Free Customer Support:
1.888.509.4382
info@yardistrystructures.com
www.yardistrystructures.com

Patents Pending



Important Safety Notice!

Yardistry components are intended for privacy, decorative and ornamental use only.

Product is NOT INTENDED for the following:

- A safety barrier to prevent unsupervised access to pools, hot tubs, spas or ponds.
- As load bearing support for a building, structure, heavy objects or swings.
- Used in structures that trap wind, rain or snow that would create extra load on the product.

IMPORTANT! When preparing for high winds and/or winter conditions, turn the louvers to the open position (upright) then attach the Lock Out and Quick Link (Page 58). This will prevent the structure from blowing over due to high winds and the louvers from breaking due to snow and ice loads. Any accumulated snow must be removed from roof.

DO NOT climb or walk on roof for any reason.

Permanent structures may require a building permit. As the purchaser and or installer of this product you are advised to consult local planning, zoning and building inspection departments for guidance on applicable building codes and/or zoning requirements.

Wood is NOT flame retardant and will burn. Grills, fire pits and chimineas are a fire hazard if placed too close to a Yardistry structure. Consult user's manual of the grill, fire pit or chiminea for safe distances from combustible materials.

Wear gloves to avoid injury from possible sharp edges of individual elements before assembly.

During installation, follow all safety warnings provided with your tools and use OSHA approved safety glasses. Some structures may require two or more people to install safely.

Check for underground utilities before digging or driving stakes into the ground!

During assembly it is important to closely follow the instructions. Complete the assembly on a solid, level surface and follow the instructions to square up, level and anchor the structure. This will reduce the gaps at wood connections during assembly.

General Information

General Information: Wood components are manufactured with Cedar (C. Lanceolata) which is protected with factory applied water-based stain. Knots, small checks (cracks) and weathering are naturally occurring and do not affect the strength of the product. Annual application of a water-based water repellent sealant or stain is important and will help reduce weathering and checks.

www.yardistrystructures.com

Questions?

Call toll free or write us at:

1 (888) 509-4382

support@yardistrystructures.com

Patents Pending

Limited Warranty

Yardistry warrants that this product is free from defect in materials and workmanship for a period of one (1) year from the original date of purchase. In addition, for any product with lumber, all lumber is warranted for five (5) years against rot and decay. This warranty applies to the original owner and registrant and is non-transferable.

Regular maintenance is required to assure the integrity of your product and is a requirement of the warranty. This warranty does not cover any inspection costs.

This Limited Warranty does not cover:

- Labour for replacement of any defective item(s);
- Incidental or consequential damages;
- Cosmetic defects which do not affect performance or integrity;
- Vandalism; improper use or installation; acts of nature, including but not limited to wind, storms, hail, floods, excessive water exposure;
- Minor twisting, warping, checking or any other natural occurring properties of wood that do not affect performance or integrity.

Yardistry products have been designed for safety and quality. Any modifications made to the original product could damage the structural integrity of the product leading to failure and possible injury. Yardistry cannot assume any responsibility for modified products. Furthermore, modification voids any and all warranties.

This product is warranted for RESIDENTIAL USE ONLY. Yardistry disclaims all other representations and warranties of any kind, express or implied.

This Warranty gives you specific legal rights. You may have other rights as well which vary from state to state or province to province. This warranty excludes all consequential damages, however, some states/provinces do not allow the limitation or exclusion of consequential damages, and therefore this limitation may not apply to you.

Instructions for Proper Maintenance

Your Yardistry structure is designed and constructed of quality materials. As with all outdoor products it will weather and wear. To maximize the enjoyment, safety and life of your structure it is important that you, the owner, properly maintain it.

HARDWARE:

- Check metal parts for rust. If found, sand and repaint using a non-lead paint complying with 16 CFR 1303.
- Inspect and tighten all hardware after completion of assembly; after first month of use; and then annually. Do not over-tighten as to cause crushing and splintering of wood.
- Check for sharp edges or protruding screw threads, add washers if required.

WOOD PARTS:

- Applying a water repellent or stain (water-based) on a yearly basis is important maintenance to maintain maximum life and performance of the product.
- Check all wood members for deterioration, structural damage and splintering. Sand down splinters and replace deteriorated wood members. As with all wood, some checking and small cracks in grain is normal
- Some gapping may occur at some wood connections.

Assembly Guides

Tools Required:

- | | | |
|------------------------------|------------------|-----------------------|
| • Tape Measure | • Hard Hat | • 6' Step Ladder x 3 |
| • Carpenters Level | • Safety Glasses | • Square |
| • Standard or Cordless Drill | • Adult Helper | • Ratchet |
| • Claw Hammer | • Safety Gloves | • 7/16" & 1/2" Socket |
| • 7/16" & 1/2" Wrench | | |

Symbols:

Throughout these instructions symbols are provided in the top, right-hand corner of the page.



- Use Help, where this is shown, 2, 3 or 4 people are required to safely complete this step. To avoid injury or damage to the assembly make sure to get some help.



- Use a measuring tape to assure proper location



- Pre-drill a pilot hole before fastening screw or lag to prevent splitting of wood.

If you dispose of your Yardistry structure: Please disassemble and dispose of your unit so that it does not create any unreasonable hazards at the time it is discarded. Be sure to follow your local waste ordinances.

Assembly Tips

Following are some helpful tips to make the assembly process smooth and efficient.

PRE-ASSEMBLIES:

(i.e. Post and Beam Assemblies, Roof Rafter Assembly, etc)

- Work on a raised, solid and flat surface such as, a table or saw horse.
- Keep all connections flush where shown in the instructions.
- When assembling the beams keep parts flat, straight and snug when connecting.

METAL PARTS:

- Louvered material may have sharp edges, wear safety gloves.
- Place louvered material on a non-abrasive surface before and after assembly as it can bend, dent and scratch easily.

WINTER AND HIGH WIND PREPARATION:

- Turn the louvers to the open position (upright) then attach the Lock Out and Quick Link (Page 70). This will prevent the structure from being blown over due to high winds and the louvers from breaking due to snow and ice loads.
- Any accumulated snow must be removed from roof.

Sealant Application Tips, Warning and First Aid Information

SEALANT:

- All surfaces to be clean, dry, dust and grease free before application with temperatures above 5°C (41°F), no warmer than 35°C (95°F).
- Remove cap and cut a small piece off the nozzle for a small bead.
- Apply sealant in small beads and smooth as required.
- To smooth sealant into the joint use a glove covered finger, putty knife, etc. Smooth sealant to create a continuous water-tight seal, diverting water into the gutter with an unimpeded flow into the gutter drain corner.
- Clean excess with a cloth or paper towel before it skins over.
- An initial bond will set in approximately 20 minutes and fully set in 24 hours.

WARNING:

- CAUSES SERIOUS EYE AND SKIN IRRITATION. Always wear safety glasses and rubber gloves when using product.
- KEEP OUT OF REACH OF CHILDREN.
- Prolonged or repeated exposure MAY CAUSE ORGAN DAMAGE. Provide ample ventilation.

FIRST AID:

- If ingested, DO NOT INDUCE VOMITING. Seek immediate medical attention.
- Eye contact: immediately flush eyes with water for at least 15 minutes. Remove contact lenses if present.
- Skin contact; wash thoroughly with soap and water. If eye/skin irritation persists or respiratory symptoms occur or develop, seek medical attention.

Use of this product can expose you to chemicals including Methanol, which is known to the State of California to cause birth defects and other reproductive harm. For more information, go to www.P65Warnings.ca.gov.

Dispose of contents and container in accordance with local regulations.

Permanent Installation Examples

Note: It is critically important you start with square, solid and level footings, concrete pad or deck to attach your Room.

We supply Post Mounts with this structure which gives you the flexibility to permanently install your structure to a pre-existing or new wood or concrete surface.

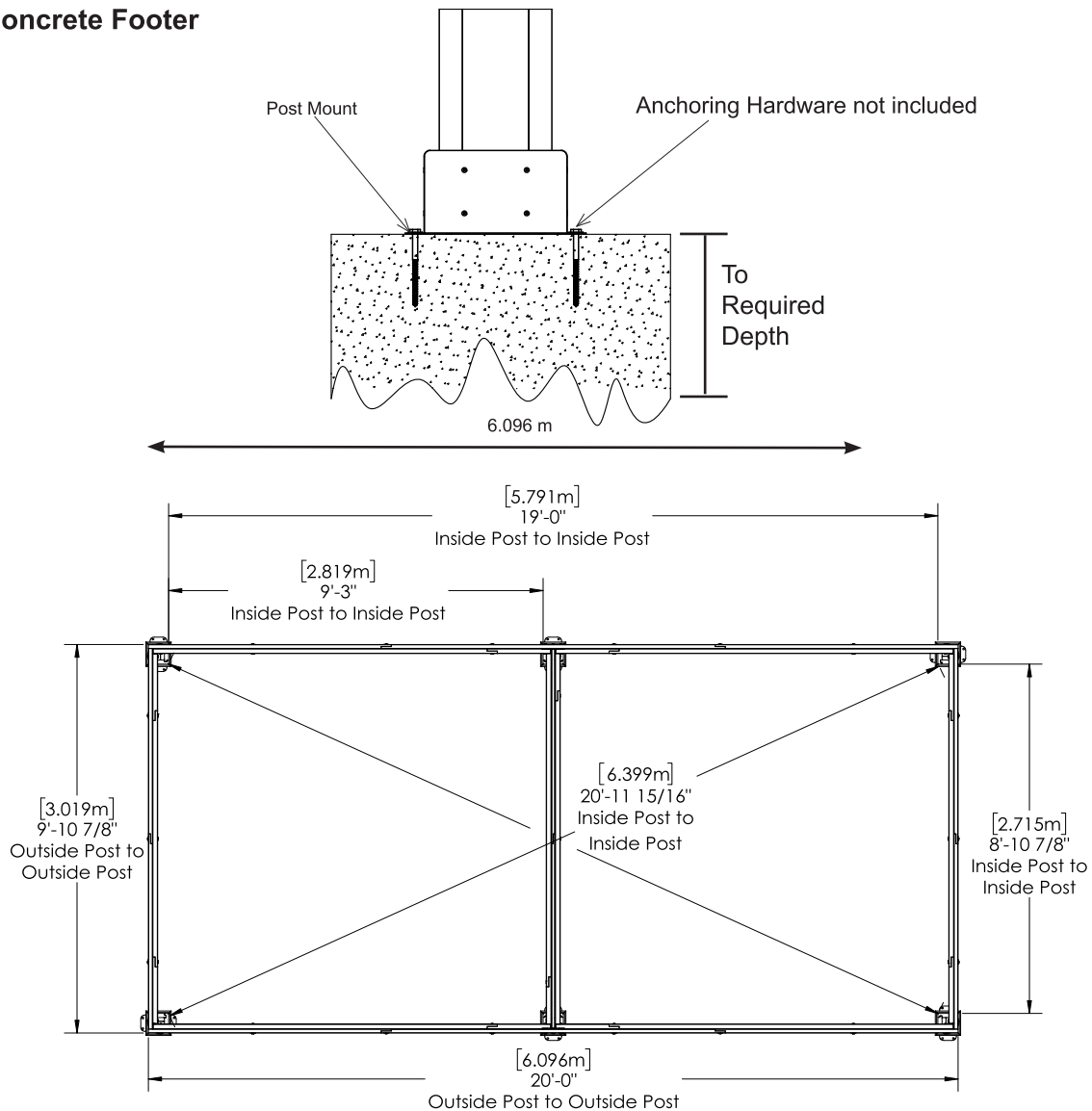
- The hardware to attach the Post Mount to the structure is included.
- The hardware to mount the structure permanently will need to be purchased separately at your local hardware store.

If you are mounting to concrete footers see below for the correct locations and placement. Please double check for possibility of any underground utilities such as gas, telephone, cable or sprinkler lines.

Following are some examples of how to mount the structure to wood or concrete surfaces.

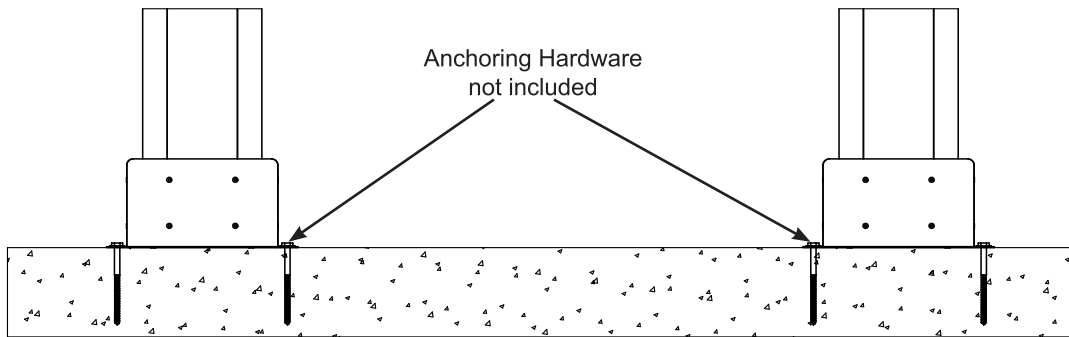
Refer to your local building and city codes, ordinances, neighbourhood covenants, or height restrictions regarding this type of structure for guidance on acceptable installation requirements.

Concrete Footer

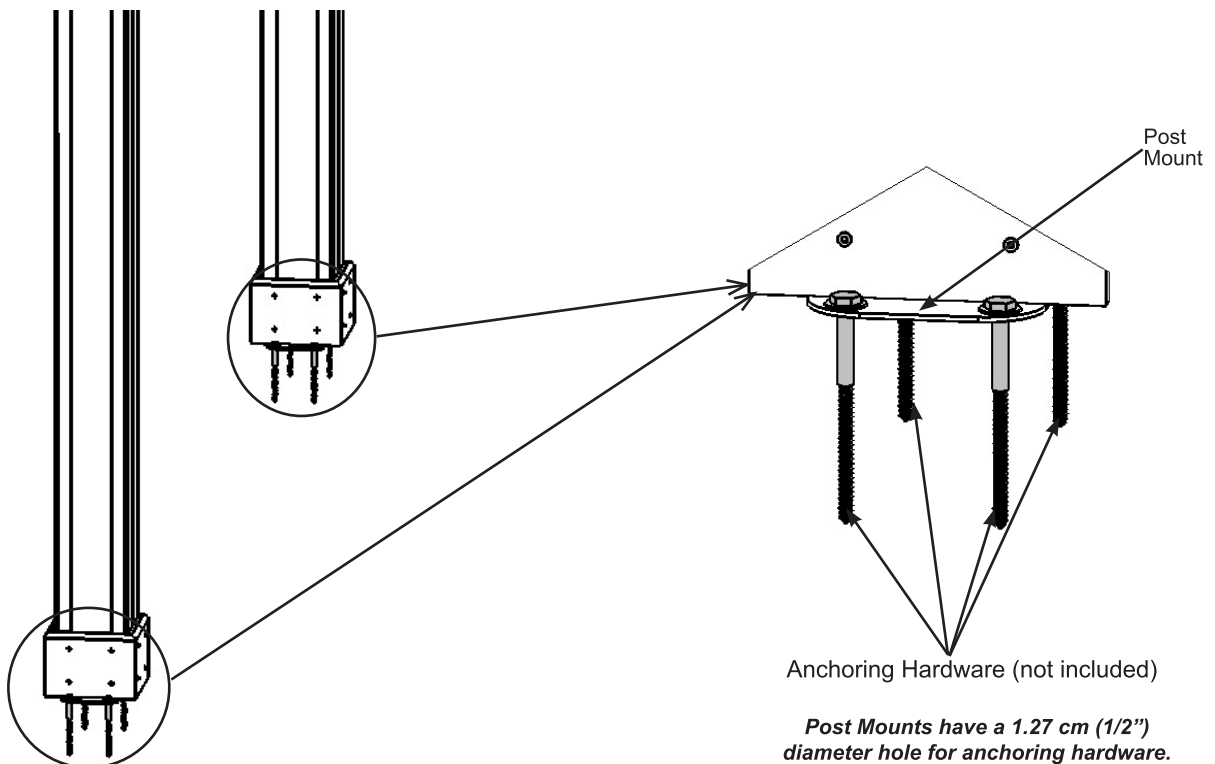
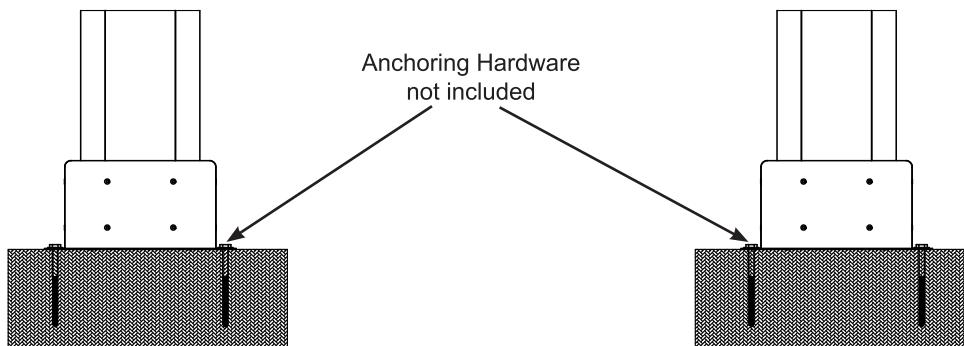


Permanent Installation Examples cont.

Concrete Patio [min. 3.324 m x 6.401 m (10' 10-7/8" x 21')] with 15.24 cm (6") clearance on all sides



Wood Deck [min. 3.324 m x 6.401 m (10' 10-7/8" x 21')] with 15.24 cm (6") clearance on all sides



Part Identification (Dimensions are approximate and are shown to assist in the identification of parts for assembly. Actual dimensions may be smaller or larger.)

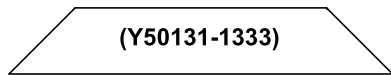
4pc. (1334) - Post 2273.3mm (89 1/2")



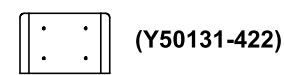
2pc. (1370) - Middle Post 2273.3mm (89 1/2")



14pc. (1333) - Gusset 812.8mm (32")



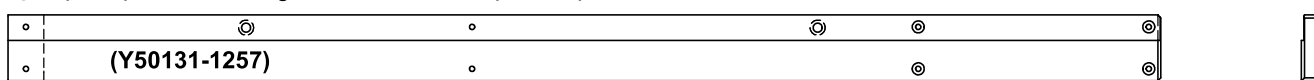
24pc. (422) - Plinth 190.5mm (7 1/2")



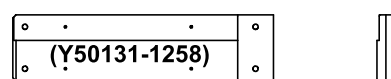
2pc. (1256) - Middle Long Beam A 2444.7mm (96 1/4")



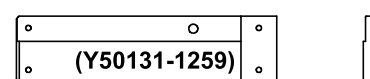
2pc. (1257) - Middle Long Beam 2444.7mm (96 1/4")



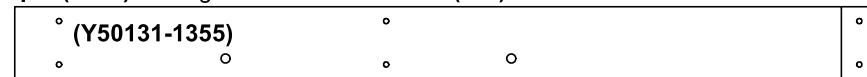
2pc. (1258) - Middle Short Beam A 552.5mm (21 3/4")



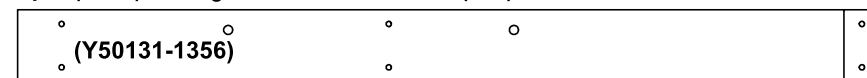
2pc. (1259) - Middle Short Beam 552.5mm (21 3/4")



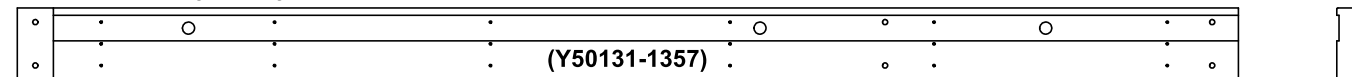
2pc. (1355) - Long Beam RT 1828.8mm (72")



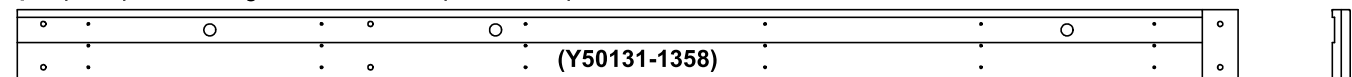
2pc. (1356) - Long Beam LT 1828.8mm (72")



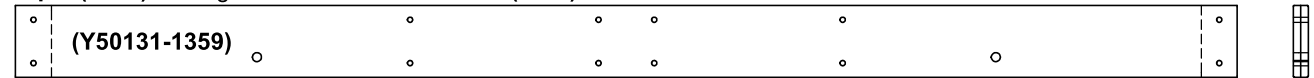
2pc. (1357) - Right Long Beam 2589mm (101 15/16")



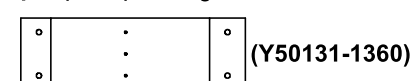
2pc. (1358) - Left Long Beam 2589mm (101 15/16")



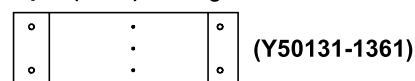
2pc. (1359) - Long Beam Center 2590.8mm (102")



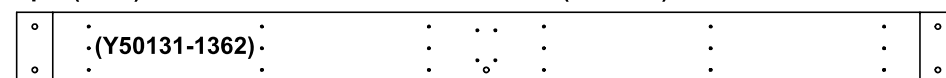
2pc. (1360) - Long Beam Center LT 476.3mm (18 3/4")



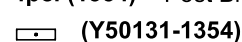
2pc. (1361) - Long Beam Center RT 476.3mm (18 3/4")



2pc. (1362) - Short Center Side Beam 1991.6mm (78 7/16")

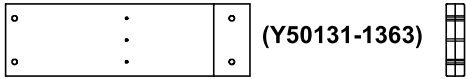


4pc. (1354) - Post Block 82.6mm (3 1/4")



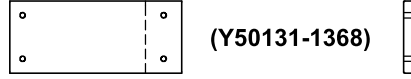
Part Identification (Dimensions are approximate and are shown to assist in the identification of parts for assembly. Actual dimensions may be smaller or larger.)

4pc. (1363) - Short End Side Beam 516mm (20 5/16")



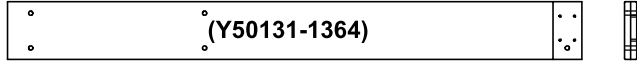
(Y50131-1363)

2pc. (1368) - Short Center Beam End 363mm (14 5/16")



(Y50131-1368)

4pc. (1364) - Short Side Beam 1516.4mm (59 11/16")



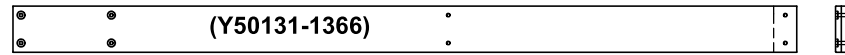
(Y50131-1364)

1pc. (1365) - Long Center Beam A 2587mm (101 7/8")



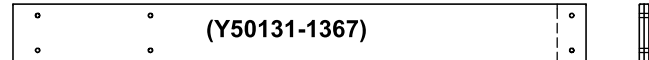
(Y50131-1365)

1pc. (1366) - Long Center Beam B 2587mm (101 7/8")

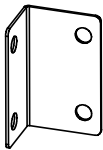


(Y50131-1366)

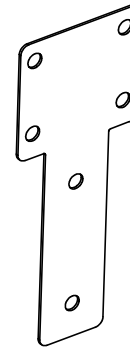
2pc. (1367) - Center Beam Middle 1513.6mm (59 9/16")



(Y50131-1367)

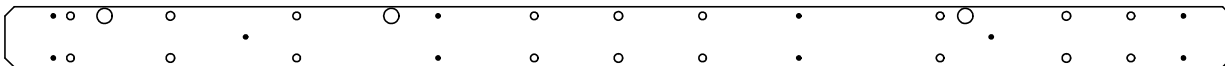


1pc. Mid Post Bracket Set
(Y70829-544) (4PK)

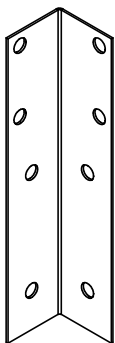
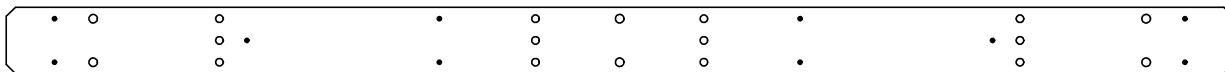


1pc. Mid Post Flat Bracket Set
(Y70829-543) (2PK)

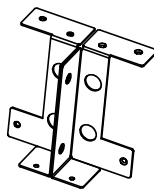
2pc. Short Mid Beam Insert - (Y00429-517)



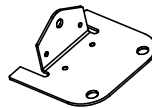
2pc. Center Beam Insert - (Y00429-545)



1pc. Post Beam Bracket
(Y70819-541) (4PK)



1pc. Mid Beam Bracket Set
(Y70829-561) (4PK)

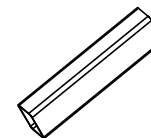


1pc. Post Mount Set
(Y70819-219) (12PK)



1pc. Downspout Strap
(Y70840-554) (12PK)

76pc. Louver
(Y01040-538)



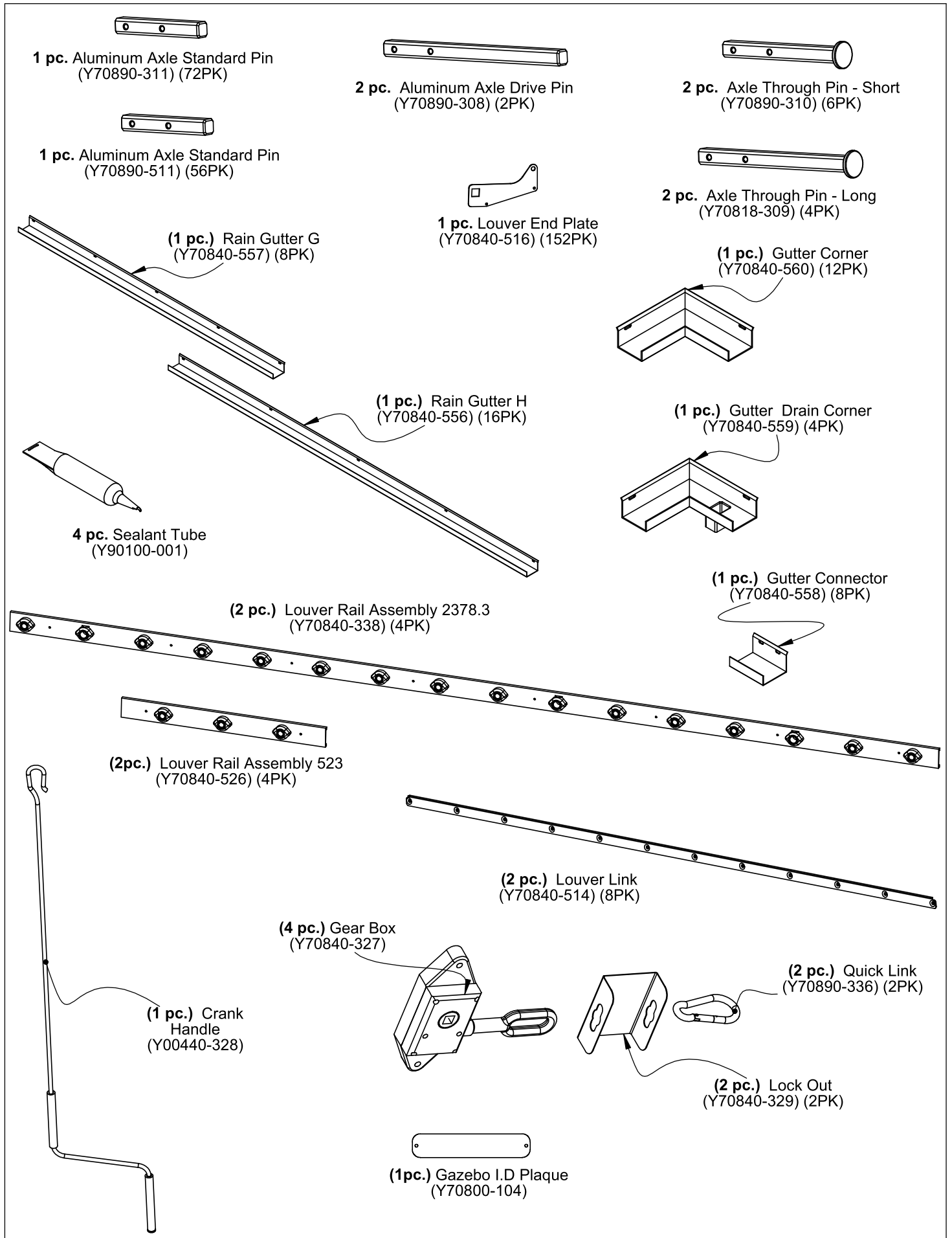
1pc. Downspout 165
(Y70840-553) (4PK)



1pc. Downspout Bottom Elbow
(Y70840-555) (4PK)

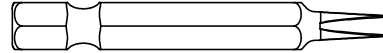
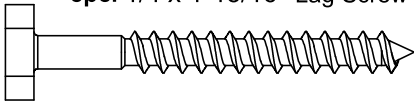
1pc. Downspout 1935
(Y70840-552) (4PK)

Part Identification (Dimensions are approximate and are shown to assist in the identification of parts for assembly. Actual dimensions may be smaller or larger.)



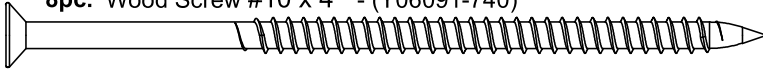
Hardware Identification (Dimensions are approximate and are shown to assist in the identification of parts for assembly. Actual dimensions may be smaller or larger.)

8pc. 1/4 x 1-15/16" Lag Screw No.12 Shank - (Y06040-219)

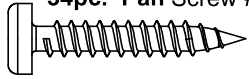


1pc. #2 x 2" Robertson Driver (Y00400-005)

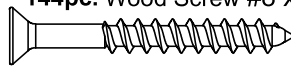
8pc. Wood Screw #10 x 4" - (Y06091-740)



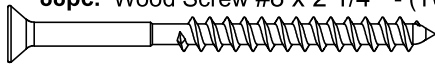
34pc. Pan Screw #10 x 1-1/4" - (Y06491-711)



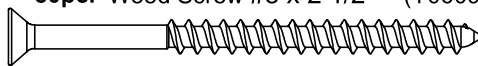
144pc. Wood Screw #8 x 1-1/2" (Y06091-512)



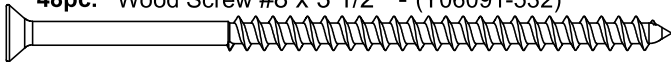
88pc. Wood Screw #8 x 2 1/4" - (Y06091-521)



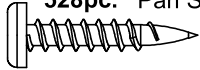
80pc. Wood Screw #8 x 2 1/2" - (Y06091-522)



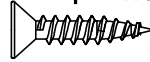
48pc. Wood Screw #8 x 3 1/2" - (Y06091-532)



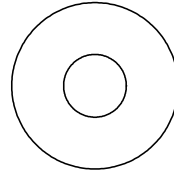
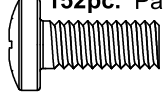
528pc. Pan Screw #8 x 1" (Y06440-510)



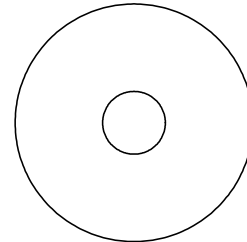
40pc. Wood Screw #7 x 3/4" (Y06091-003)



152pc. Pan Bolt 1/4 x 5/8" (Y07440-208)

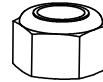
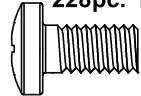


58pc. 5/16" Flat Washer (Y05118-203) - Black
8pc. 5/16" Flat Washer (Y05140-203) - Light Grey



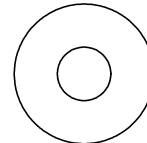
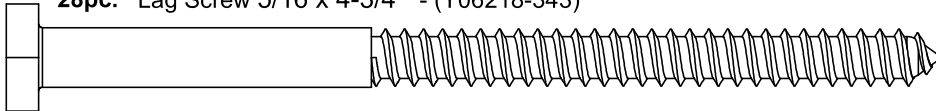
110pc. 1/4-5/16 x 1-1/4" Large Washer (Y05118-311)

228pc. Pan Bolt 1/4 x 1/2" (Y07440-202)



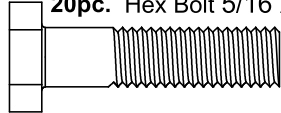
20pc. - 5/16" Lock Nut (Y08318-303)

28pc. Lag Screw 5/16 x 4-3/4" - (Y06218-343)



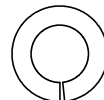
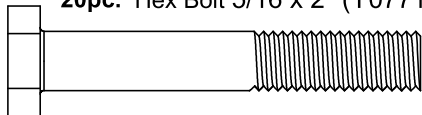
152pc. 1/4" Nylon Washer (Y05940-204) - Light Grey

20pc. Hex Bolt 5/16 x 1-1/4" - (Y07718-311)



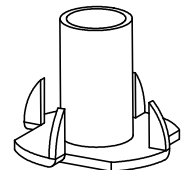
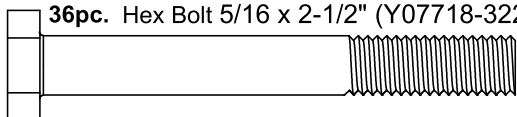
152pc. - 1/4" Lock Nut (Y08340-203)

20pc. Hex Bolt 5/16 x 2" (Y07718-320)



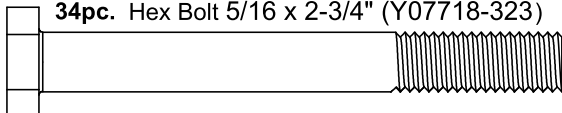
100pc. 5/16" Lock Washer (Y05318-300)

36pc. Hex Bolt 5/16 x 2-1/2" (Y07718-322)

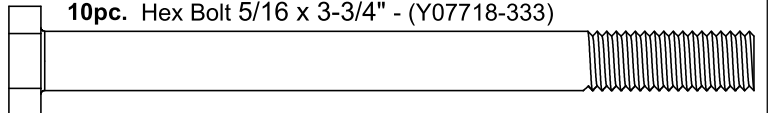


100pc. 5/16 - T-Nut (Y08518-300)

34pc. Hex Bolt 5/16 x 2-3/4" (Y07718-323)

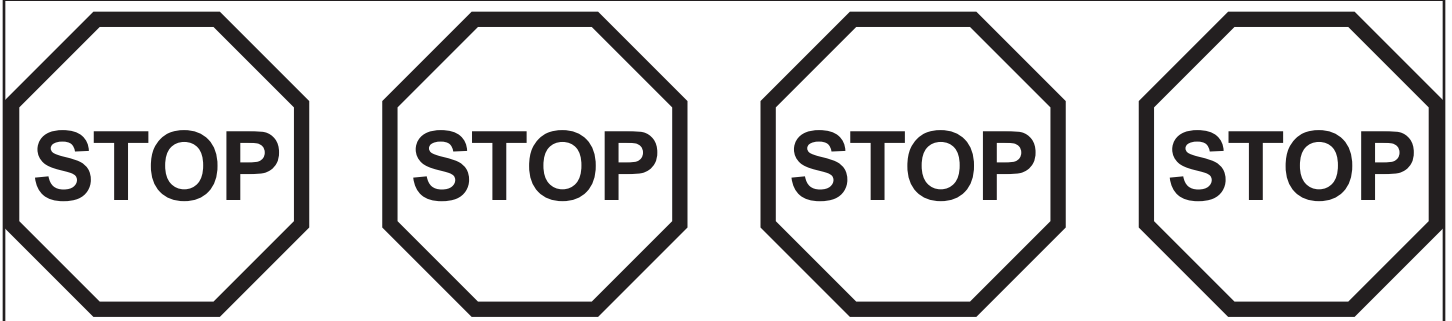


10pc. Hex Bolt 5/16 x 3-3/4" - (Y07718-333)



1pc. - 1/8" Drill Bit (Y00400-002)

Step 1: Inventory Parts - Read This Before Starting Assembly



- A.** This is the time for you to inventory all your hardware, wood and accessories, referencing the parts identification sheets. This will assist you with your assembly.
- Each step indicates which bolts and/or screws you will need for assembly, as well as any flat washers, lock washers, t-nuts or lock nuts.
- B.** If there are any missing or damaged pieces or you need assistance with assembly please contact the consumer relations department directly. Call us before going back to the store.

1-888-509-4382
support@yardistrystructures.com

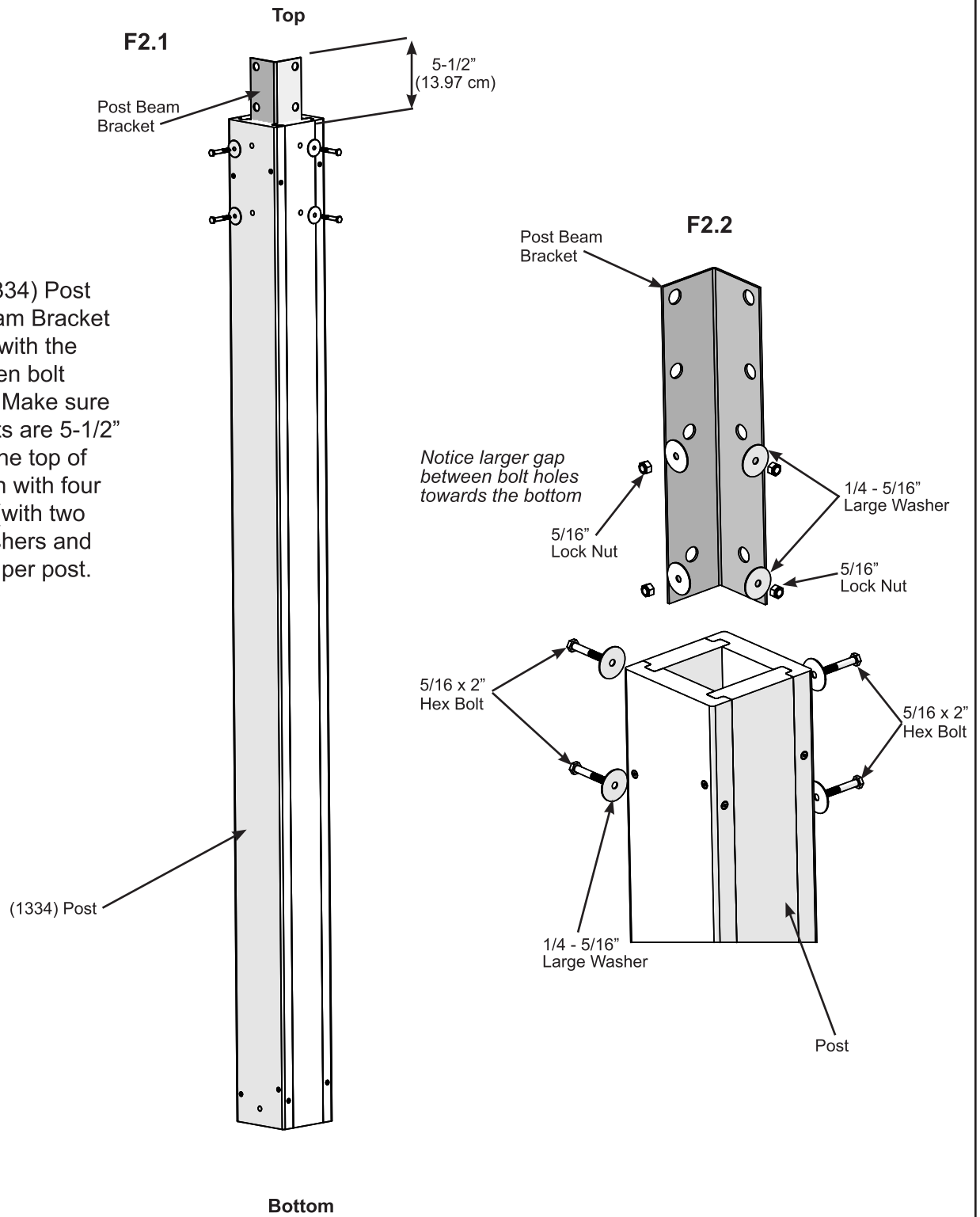
- C.** Read the assembly manual completely, paying special attention to ANSI warnings; notes; and safety/maintenance information on pages 1 - 4.
- Follow the instructions in order.
 - This structure is designed to be assembled and installed ideally by four people, DO NOT attempt to install alone.
 - Consider the slope of elevation where you plan to install the structure. Also, check for gas, telephone, other utilities or sprinkler line locations prior to excavating any holes.
- D.** Before you discard your cartons fill out the form below.
- The carton I.D. stamp is located on the end of each carton.
 - Please retain this information for future reference. You will need this information if you contact the Consumer Relations Department.

PRODUCT NUMBER: **YM11836**

CARTON I.D. STAMP: _ _ _ _ _ (Box 1)
CARTON I.D. STAMP: _ _ _ _ _ (Box 2)
CARTON I.D. STAMP: _ _ _ _ _ (Box 3)
CARTON I.D. STAMP: _ _ _ _ _ (Box 4)
CARTON I.D. STAMP: _ _ _ _ _ (Box 5)
CARTON I.D. STAMP: _ _ _ _ _ (Box 6)

Step 2: Post Assemblies

Part 1



A: At the top of (1334) Post insert one Post Beam Bracket per post. The end with the wider space between bolt holes faces down. Make sure Post Beam Brackets are 5-1/2" (13.97 cm) above the top of the post then attach with four 5/16 x 2" Hex Bolt (with two 1/4-5/16" large washers and one 5/16" lock nut) per post. (F2.1 and F2.2)

Wood Parts

4 x (1334) Post

Components

4 x Post Beam Bracket

Hardware

16 x 5/16 x 2" Hex Bolt
(1/4-5/16" large washer x 2, 5/16" lock nut)

Step 2: Post Assemblies

Part 2

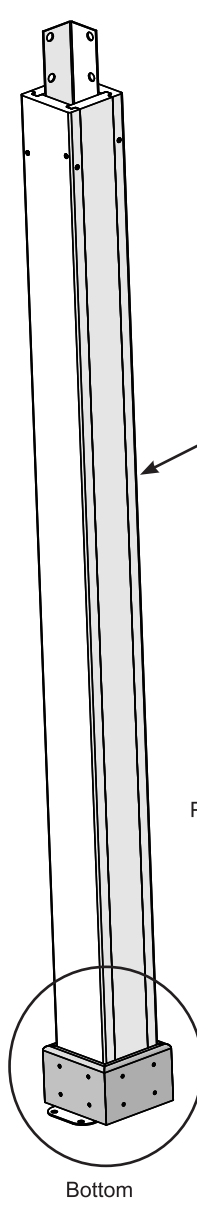
A: At the bottom of each (1334) Post insert two 5/16" T-Nuts. (F2.3 and F2.4)

B: At the bottom of each (1334) Post place two Post Mounts tight to the bottom and inside faces. Loosely attach with one 5/16 x 1-1/4" Hex Bolt (with 5/16" lock washer and 1/4-5/16" large washer) per mount so they connect to the T-Nuts. (F2.3 and F2.4)

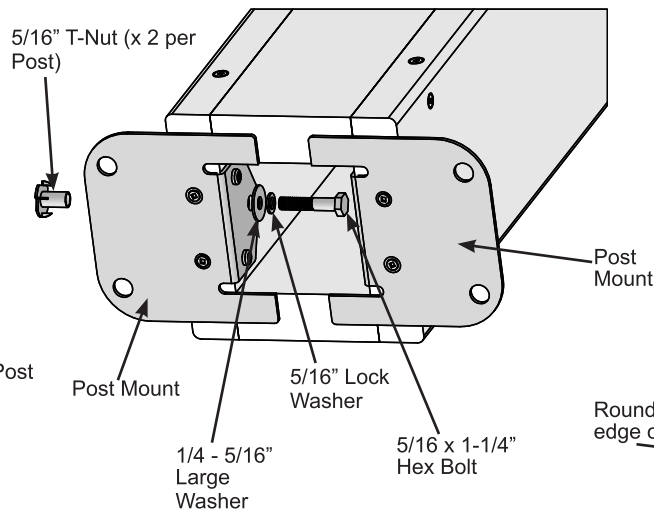
C: From the bottom of each Post Mount attach to posts with two #8 x 1-1/2" Wood Screws per mount and then from the inside with two #10 x 1-1/4" Pan Screws per mount These screws are installed at a slight angle. Tighten all bolts. (F2.5)

D: On each side of the Posts, place one (422) Plinth flush to the bottom and attach with four #8 x 1-1/2" Wood Screws per plinth. Rounded edges on top. There will be four Post Assemblies. (F2.3 and F2.6)

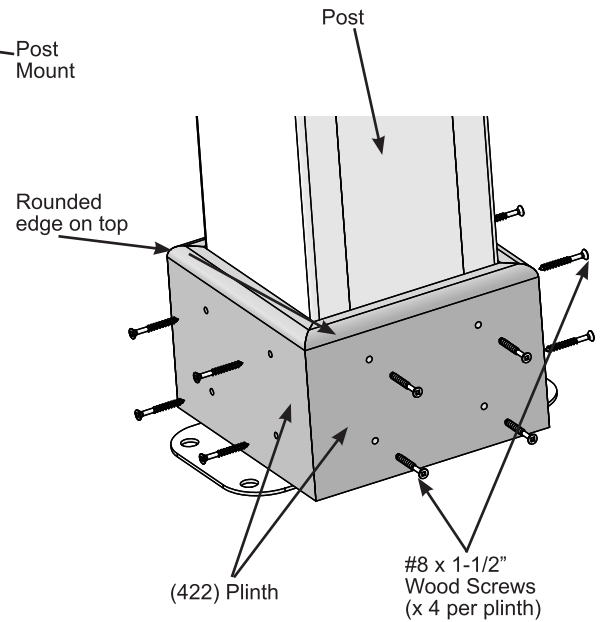
F2.3



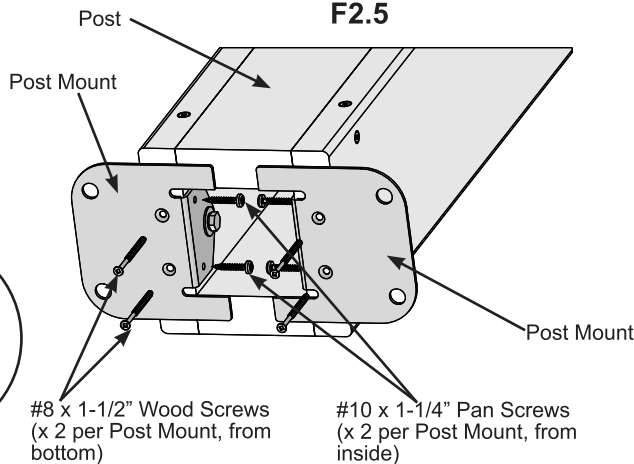
F2.4



F2.6



F2.5



Wood Parts

16 x (422) Plinth

Components

8 x Post Mount

Hardware

16 x #10 x 1-1/4" Pan Screw

80 x #8 x 1-1/2" Wood Screw

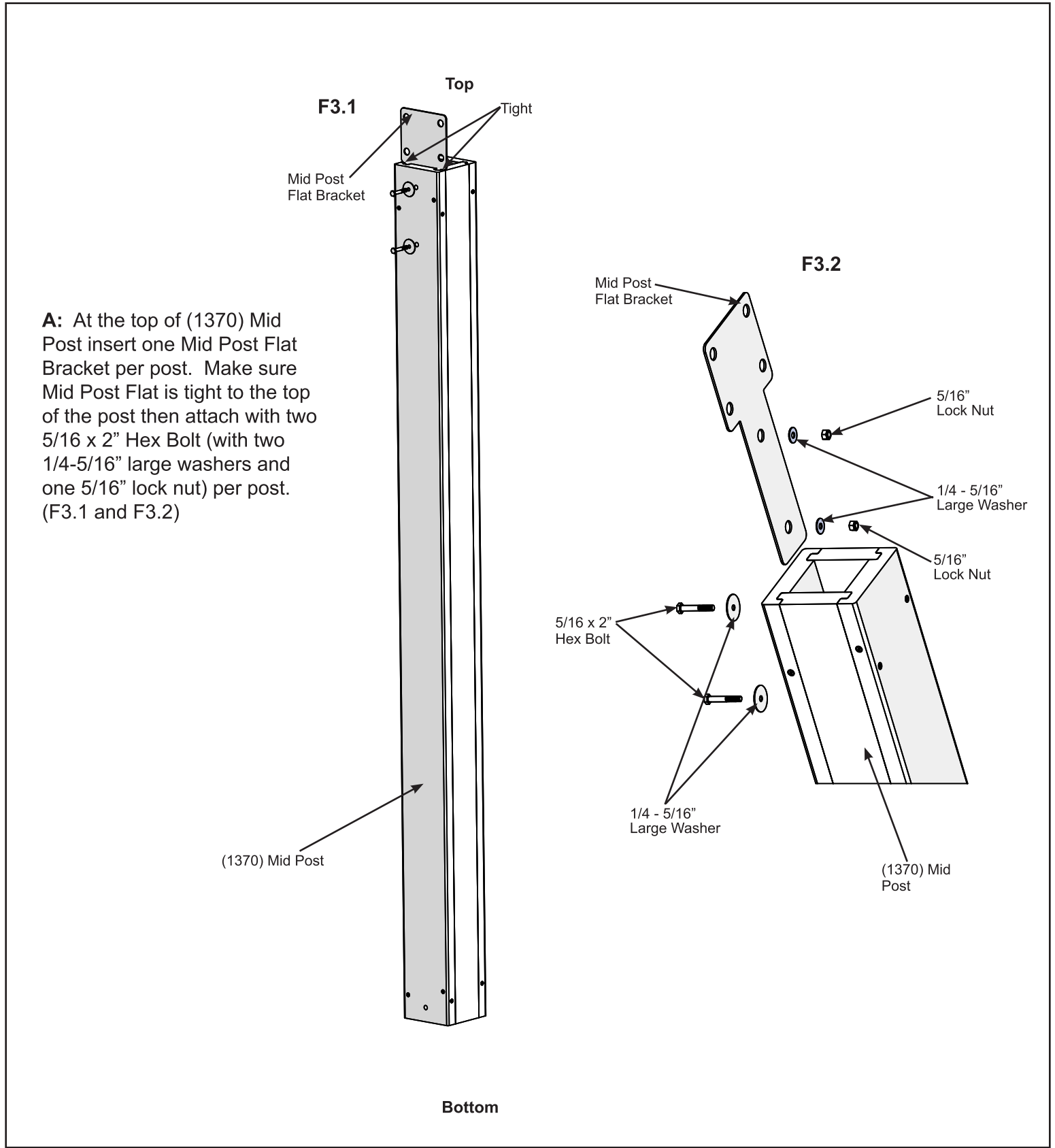
8 x 5/16" T-Nut

8 x 5/16 x 1-1/4" Hex Bolt

(with 5/16" lock washer, 1/4-5/16" large washer)

Step 3: Mid Post Assemblies

Part 1



A: At the top of (1370) Mid Post insert one Mid Post Flat Bracket per post. Make sure Mid Post Flat is tight to the top of the post then attach with two 5/16 x 2" Hex Bolt (with two 1/4-5/16" large washers and one 5/16" lock nut) per post. (F3.1 and F3.2)

Wood Parts

2 x (1370) Mid Post

Components

2 x Mid Post Flat Bracket

Hardware

4 x 5/16 x 2" Hex Bolt
(1/4-5/16" large washer x 2, 5/16" lock nut)

Step 3: Mid Post Assemblies

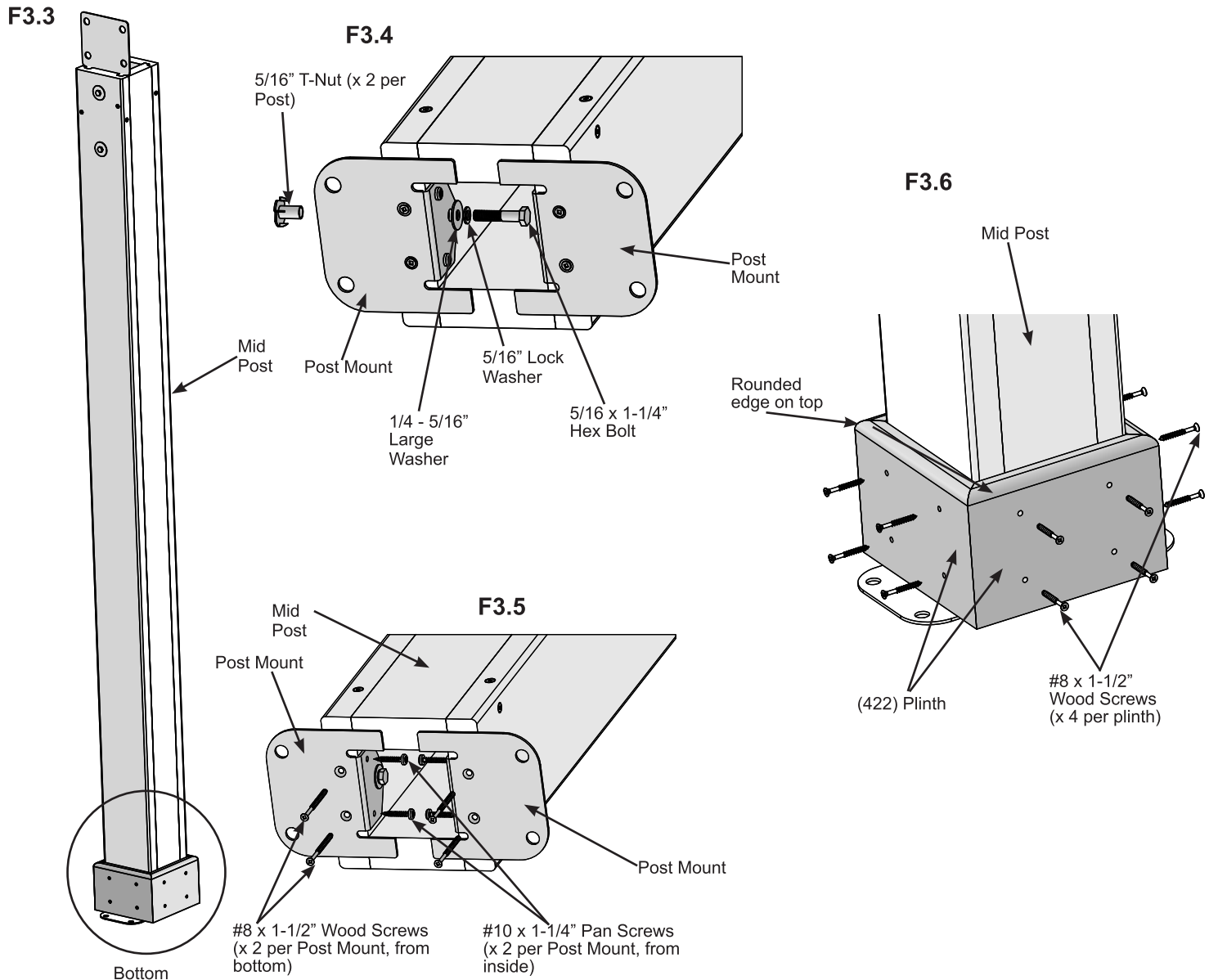
Part 2

A: At the bottom of each (1370) Mid Post insert two 5/16" T-Nuts. (F3.3 and F3.4)

B: At the bottom of each (1370) Mid Post place two Post Mounts tight to the bottom and inside faces. Loosely attach with one 5/16 x 1-1/4" Hex Bolt (with 5/16" lock washer and 1/4-5/16" large washer) per mount so they connect to the T-Nuts. (F3.3 and F3.4)

C: From the bottom of each Post Mount attach to posts with two #8 x 1-1/2" Wood Screws per mount and then from the inside with two #10 x 1-1/4" Pan Screws per mount These screws are installed at a slight angle. Tighten all bolts. (F3.5)

D: On each side of the Mid Posts, place one (422) Plinth flush to the bottom and attach with four #8 x 1-1/2" Wood Screws per plinth. Rounded edges on top. There will be two Mid Post Assemblies. (F3.3 and F3.6)



Wood Parts

8 x (422) Plinth

Components

4 x Post Mount

8 x #10 x 1-1/4" Pan Screw

Hardware

40 x #8 x 1-1/2" Wood Screw

4 x 5/16" T-Nut

4 x 5/16 x 1-1/4" Hex Bolt

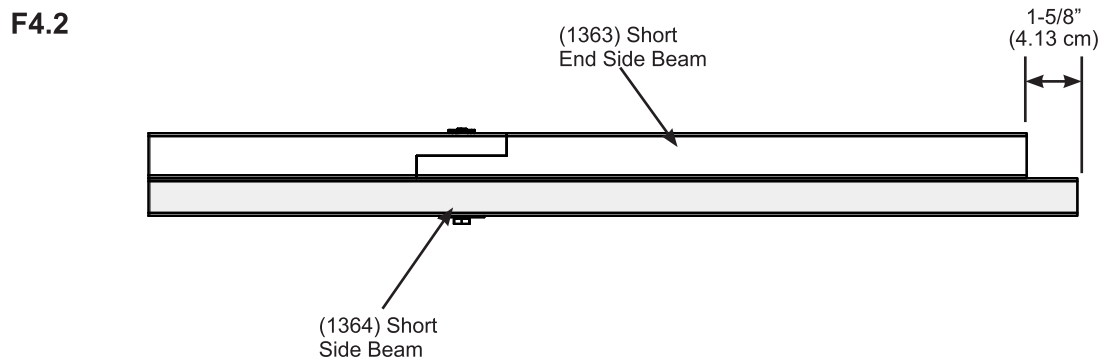
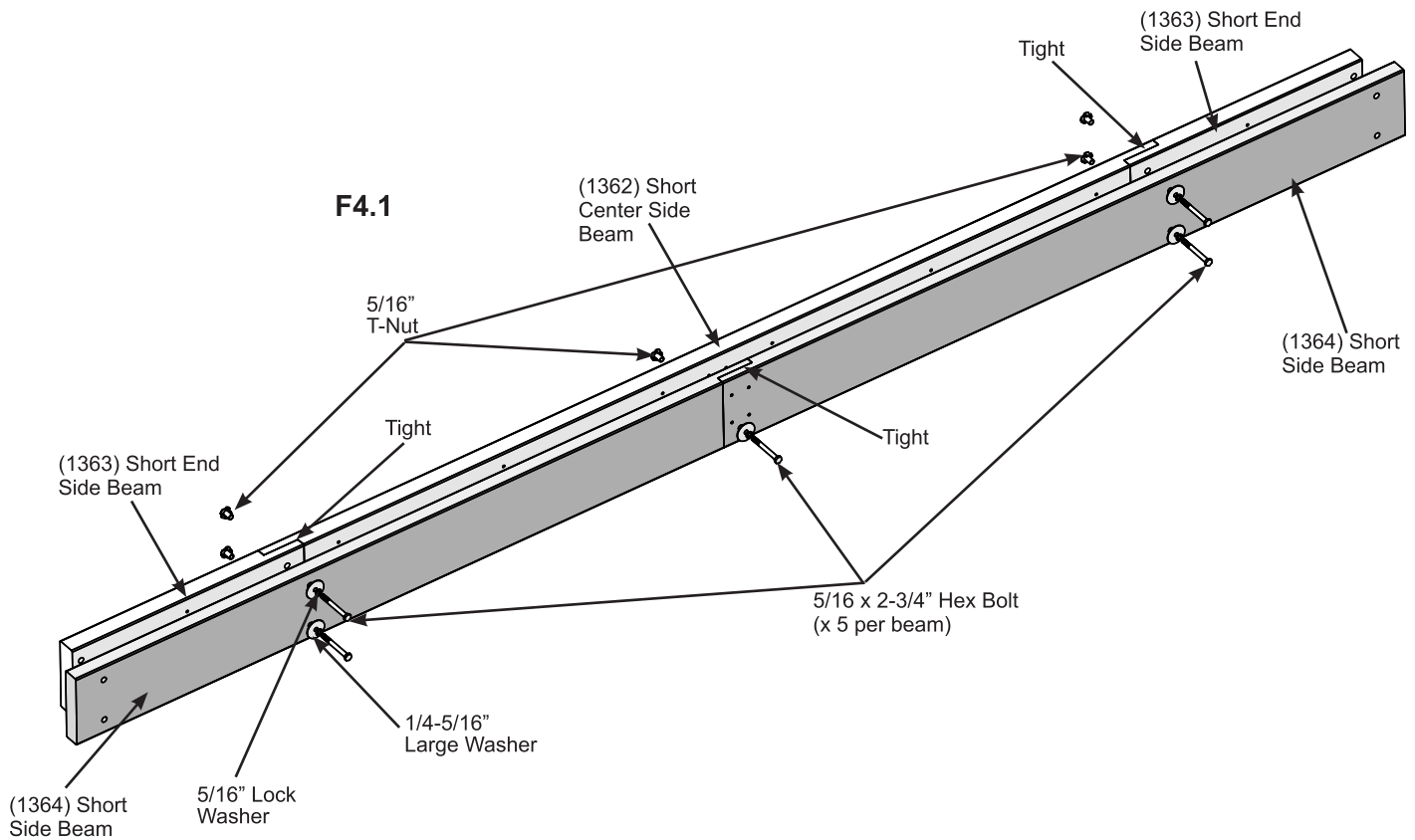
(with 5/16" lock washer, 1/4-5/16" large washer)

Step 4: Short Beam Assembly Part 1



A: Place one (1363) Short End Side Beam on each end of (1362) Short Center Side Beam. Place two (1364) Short Side Beams so the lap joints fit tight in the center. Make sure the bolt holes line up and loosely attach with five 5/16" x 2-3/4" (with 5/16" lock washer, 1/4-5/16" large washer and 5/16" T-Nut). (F4.1)

B: Make sure both (1364) Short Side Beams overhang the (1363) Short End Side Beams by 1-5/8" (4.13 cm) then tighten the bolts. (F4.2)



Wood Parts

- 2 x (1362) Short Centre Side Beam
- 4 x (1363) Short End Side Beam
- 4 x (1364) Short Side Beam

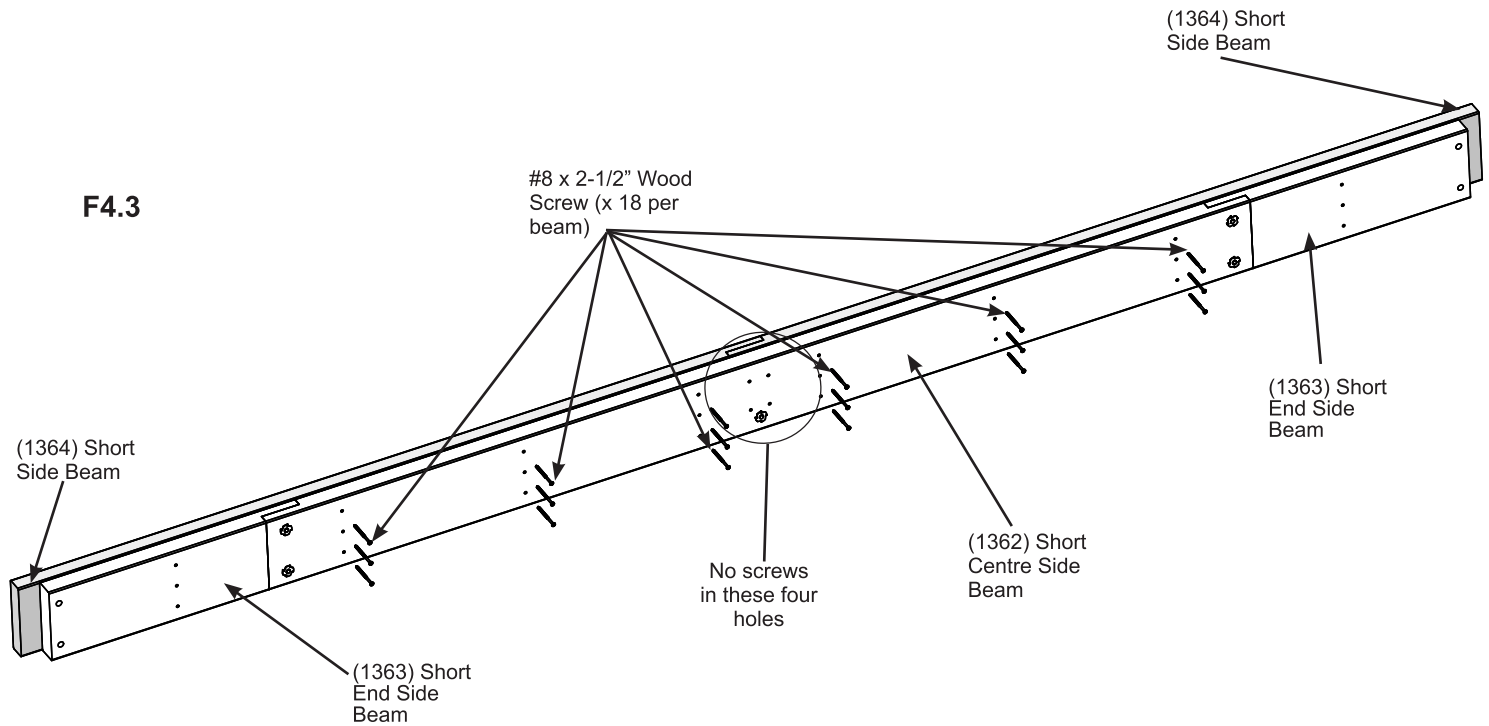
Hardware

- 10 x 5/16 x 2-3/4" Hex Bolt
(5/16" lock washer, 1/4-5/16" large washer, 5/16" T-Nut)

Step 4: Short Beam Assembly Part 2

C: Flip the assembly over so the t-nuts face up then fasten assembly with (18) #8 x 2-1/2" Wood Screws through (1362) Short Centre Side Beam only. Do not install screws in the four centre pilot holes. (F4.3)

D: Repeat Steps A - C to make a second Short Beam Assembly.

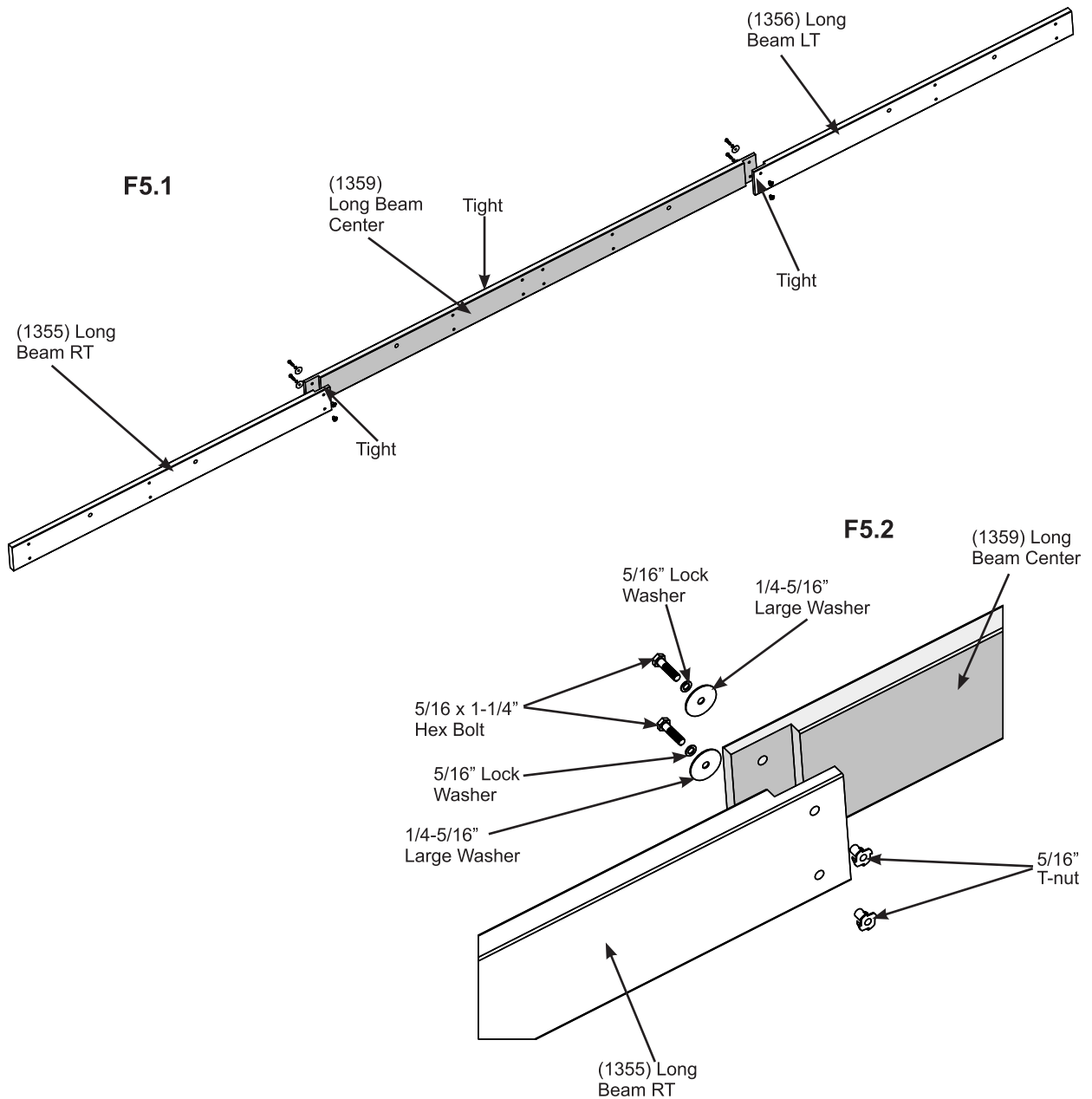


Hardware

36 x #8 x 2-1/2" Wood Screw

Step 5: Long Beam Assembly Part 1

A: Connect one (1355) Long Beam RT on the left side and (1356) Long Beam LT on the right side of (1359) Long Beam Center so the lap joints are tight. Install two 5/16" T-nuts in (1355) Long Beam RT and (1356) Long Beam LT then attach boards through (1359) Long Beam Center using four 5/16 x 1-1/4" Hex Bolts (with 5/16" lock washer and 1/4-5/16" large washer). (F5.1 and F5.2)



Wood Parts

- 2 x (1355) Long Beam RT
- 2 x (1356) Long Beam LT
- 2 x (1359) Long Beam Center

Hardware

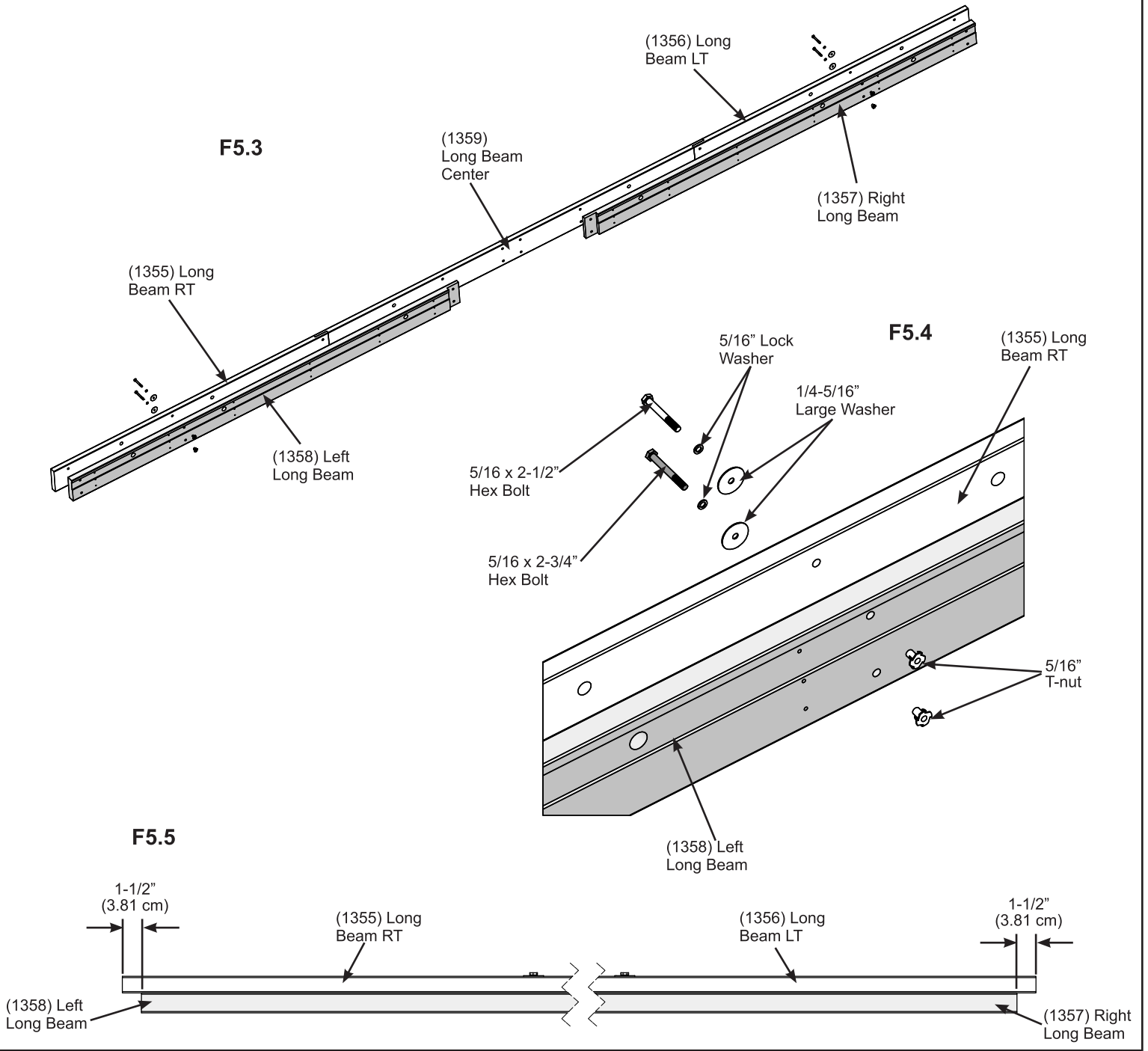
- 8 x 5/16 x 1-1/4" Hex Bolt
(5/16" lock washer, 1/4-5/16" large washer, 5/16" t-nuts)

Step 5: Long Beam Assembly Part 2



B: Connect one (1358) Left Long Beam with (1355) Long Beam RT and one (1357) Right Long Beam with (1356) Long Beam LT. Make sure holes line up and loosely attach with two 5/16 x 2-1/2" Hex Bolts (with 5/16" lock washer, 1/4-5/16" large washer and 5/16" T-Nut) in the top holes and two 5/16 x 2-3/4" Hex Bolts (with 5/16" lock washer, 1/4-5/16" large washer and 5/16" T-Nut) in the bottom holes. (F5.3 and F5.4)

C: Make sure (1355) Long Beam RT and (1356) Long Beam LT overhangs (1358) Left Long Beam and (1357) Right Long Beam by 1-1/2" (3.81 cm) then tighten the bolts (F5.3 and F5.5)



Wood Parts

- 2 x (1357) Right Long Beam
- 2 x (1358) Left Long Beam

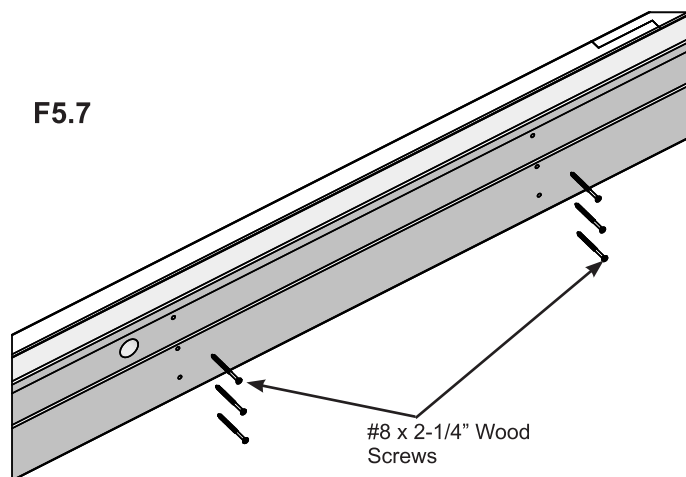
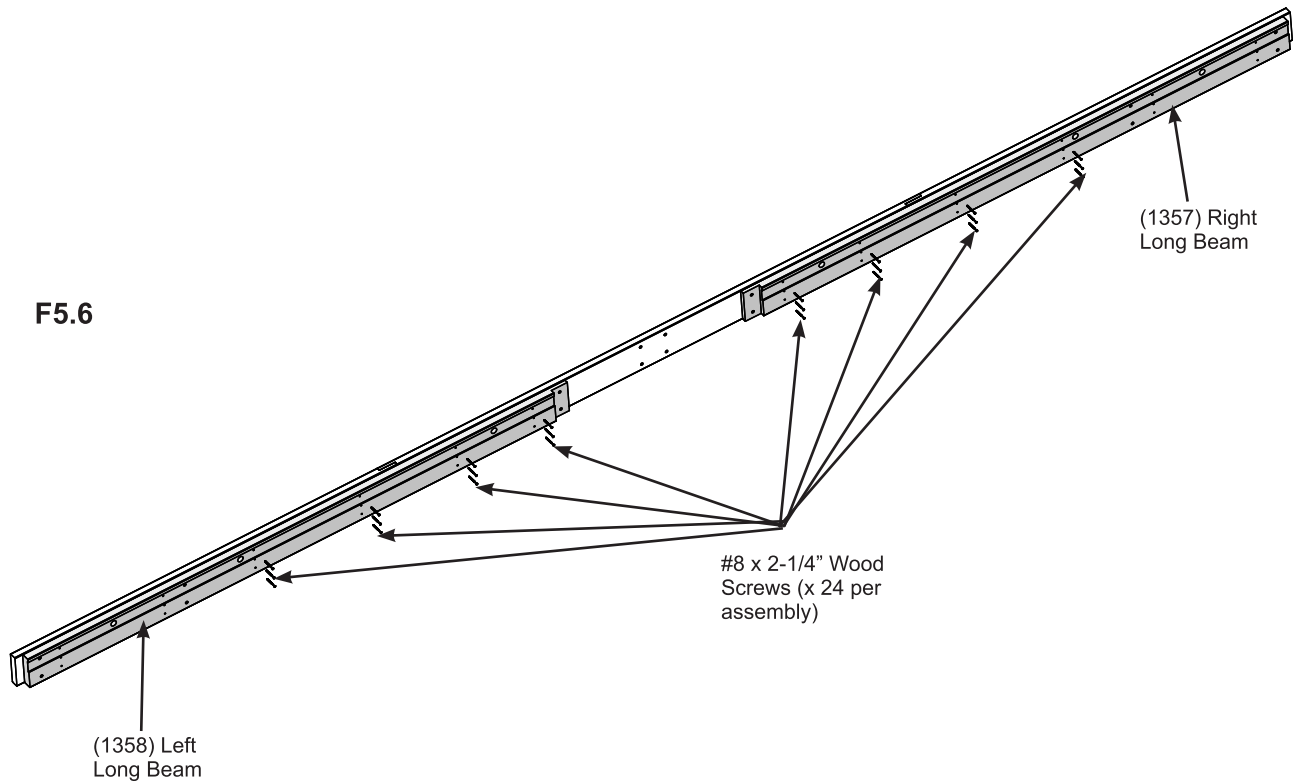
Hardware

- 4 x 5/16 x 2-1/2" Hex Bolt (5/16" lock washer, 1/4-5/16" large washer, 5/16" t-nuts)
- 4 x 5/16 x 2-3/4" Hex Bolt (5/16" lock washer, 1/4-5/16" large washer, 5/16" t-nuts)

Step 5: Long Beam Assembly Part 3

D: Flip Long Beam Assembly over so the t-nuts face up then fasten assembly with (24) #8 x 2-1/4" Wood Screws through (1358) Left Long Beam and (1357) Right Long Beam. (F5.6 and F5.7)

E: Repeat Steps A - D to make a second Long Beam Assembly.

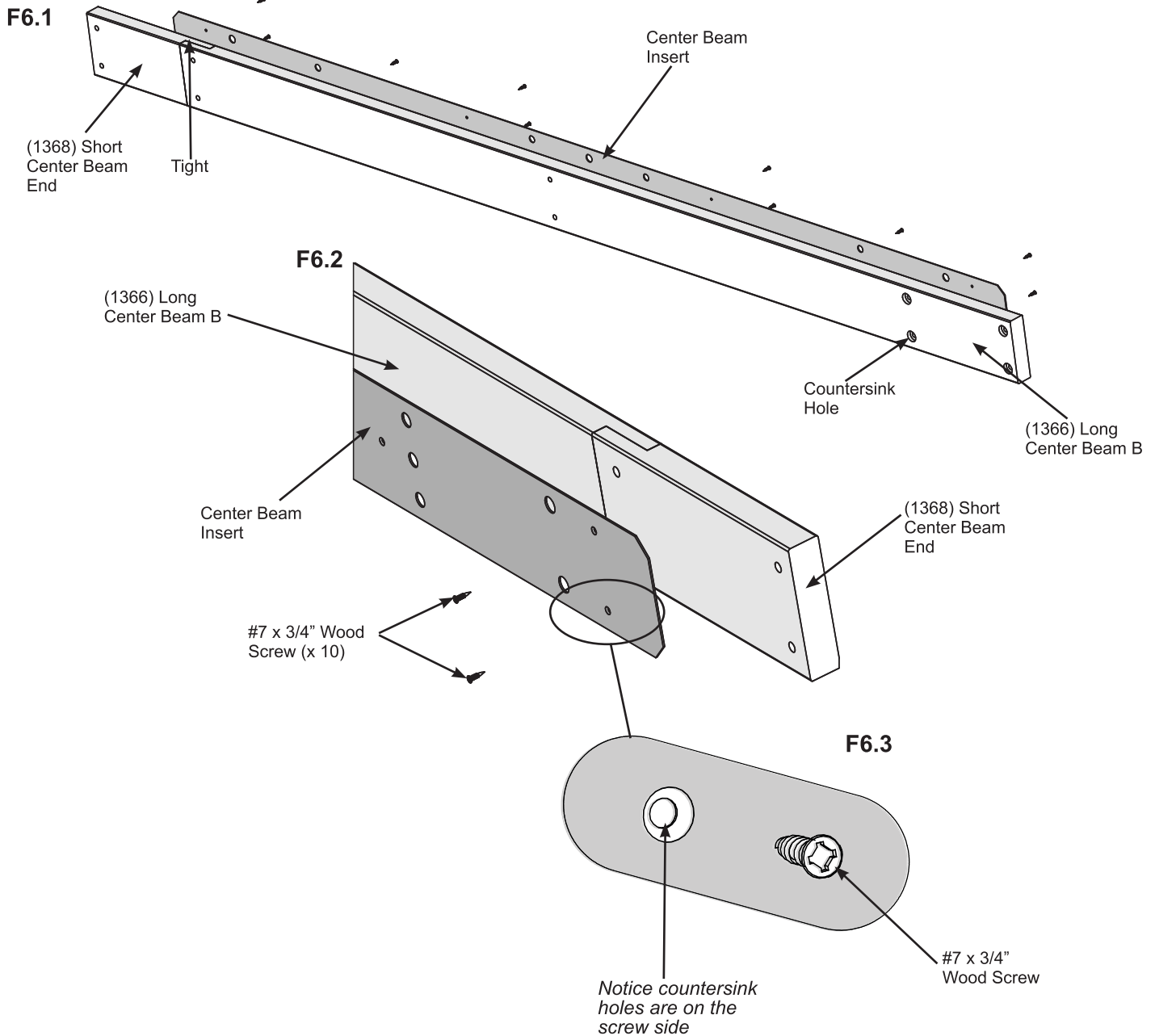


Hardware

48 x #8 x 2-1/4" Wood Screw

Step 6: Center Beam Assembly Part 1

A: Connect (1368) Short Center Beam End and (1366) Long Center Beam B so the lap joints are tight. Place Center Beam Insert on top of boards making sure the holes line up and the countersink holes in (1366) Long Center Beam B face out. The countersink holes in the Center Beam Insert need to be up so the screw head sits flat along the surface after being installed. Attach Center Beam Insert to (1368) Short Center Beam End and (1366) Long Center Beam B with (10) #7 x 3/4" Wood Screws. This will be the Center Beam A Assembly (F6.1, F6.2 and F6.3)



Wood Parts

- 1 x (1366) Long Center Beam B
- 1 x (1368) Short Center Beam End

Components

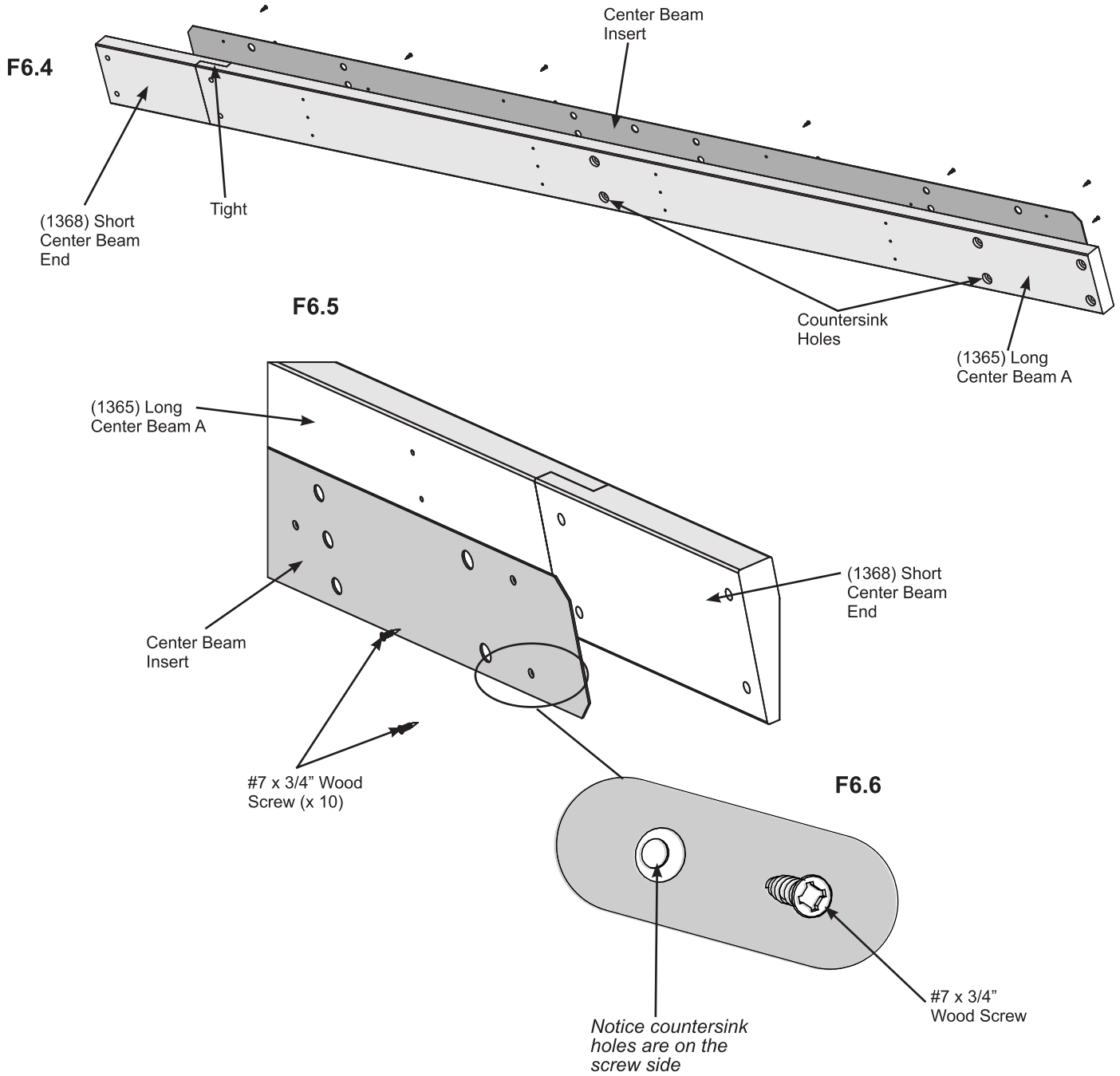
- 1 x Center Beam Insert

Hardware

- 10 x #7 x 3/4" Wood Screw

Step 6: Center Beam Assembly Part 2

B: Connect (1368) Short Center Beam End and (1365) Long Center Beam A so the lap joints are tight. Place Center Beam Insert on top of boards making sure the holes line up and the countersink holes in (1365) Long Center Beam A face out. The countersink holes in the Center Beam Insert need to be up so the screw head sits flat along the surface after being installed. Attach Center Beam Insert to (1368) Short Center Beam End and (1365) Long Center Beam A with (10) #7 x 3/4" Wood Screws. This will be the Center Beam B Assembly (F6.4, F6.5 and F6.6)



Wood Parts

- 1 x (1365) Long Center Beam A
- 1 x (1368) Short Center Beam End

Components

- 1 x Center Beam Insert

Hardware

- 10 x #7 x 3/4" Wood Screw

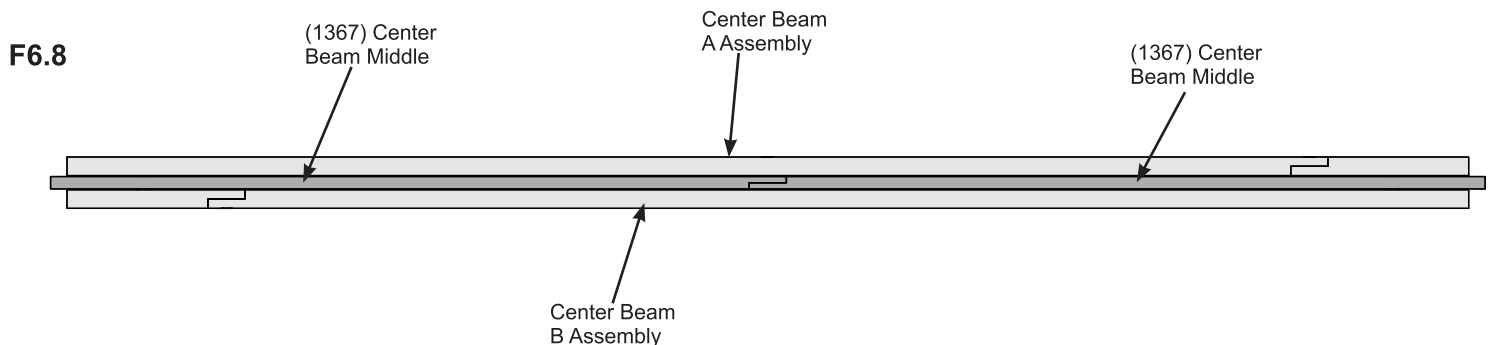
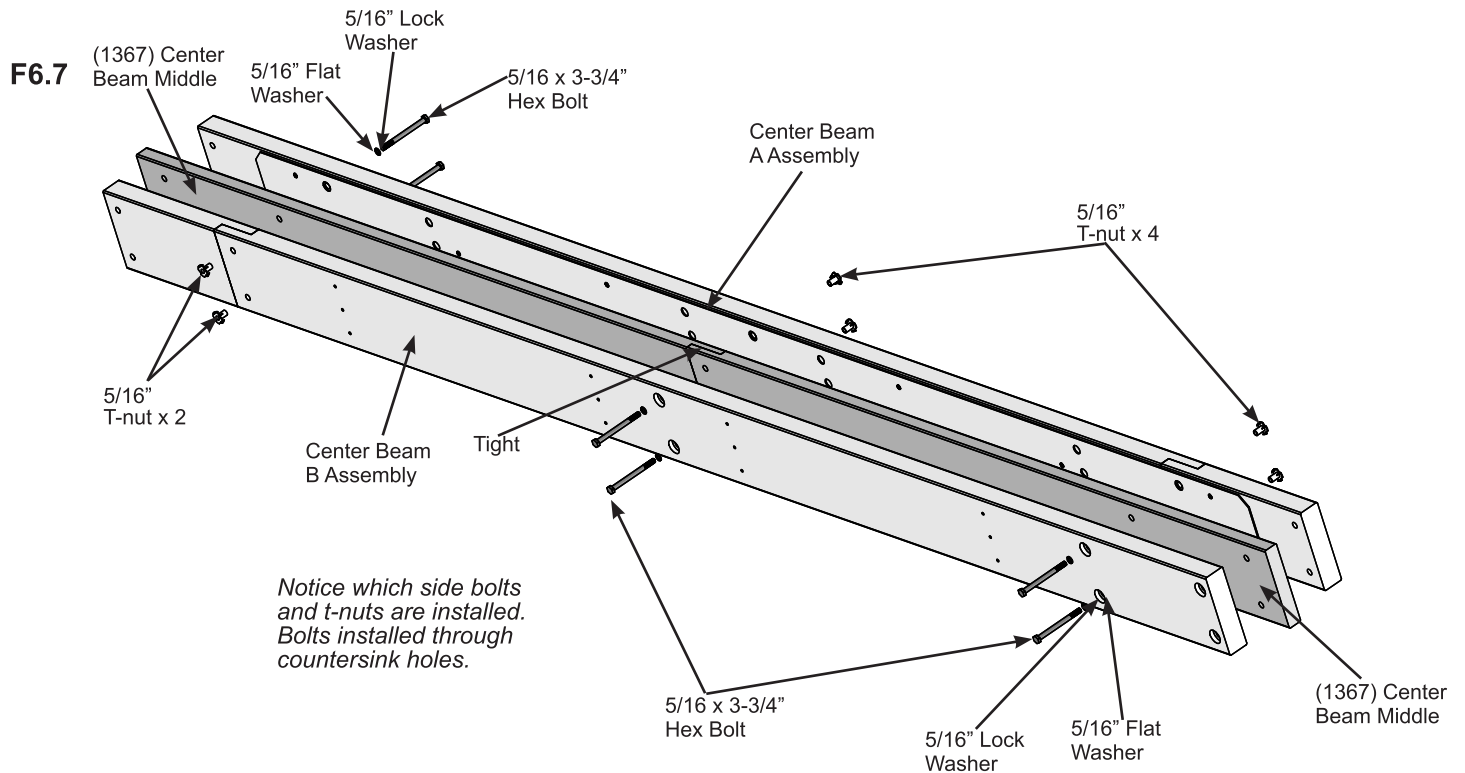
Step 6: Center Beam Assembly

Part 3

C: Place Center Beam A Assembly on edge then place Center Beam B Assembly beside the assembly. Mid Beam Inserts should be between boards. (F6.7)

D: Place two (1367) Center Beam Middle between the Center Beam A Assembly and Center Beam B Assembly with lap joints tight. (F6.7, F6.8)

E: Install four 5/16 T-nuts into Center Beam A Assembly. Install two 5/16 T-nuts into Center Beam B Assembly. T-nuts are installed in the non-countersink holes. In the middle holes attach with six 5/16 x 3-3/4" Hex Bolts (with 5/16" lock washer and 5/16" flat washer), bolts installed in countersink holes and attaching to t-nuts. This assembly is the Center Beam Assembly. (F6.7 and F6.8)



Wood Parts

2 x (1367) Center Beam Middle

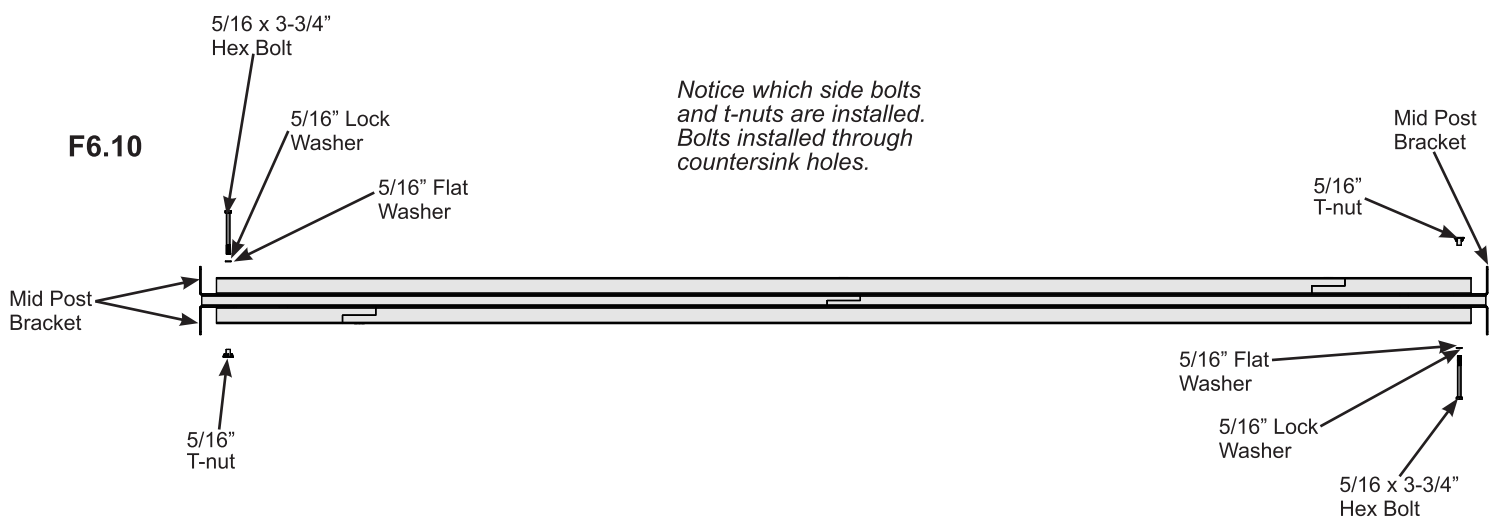
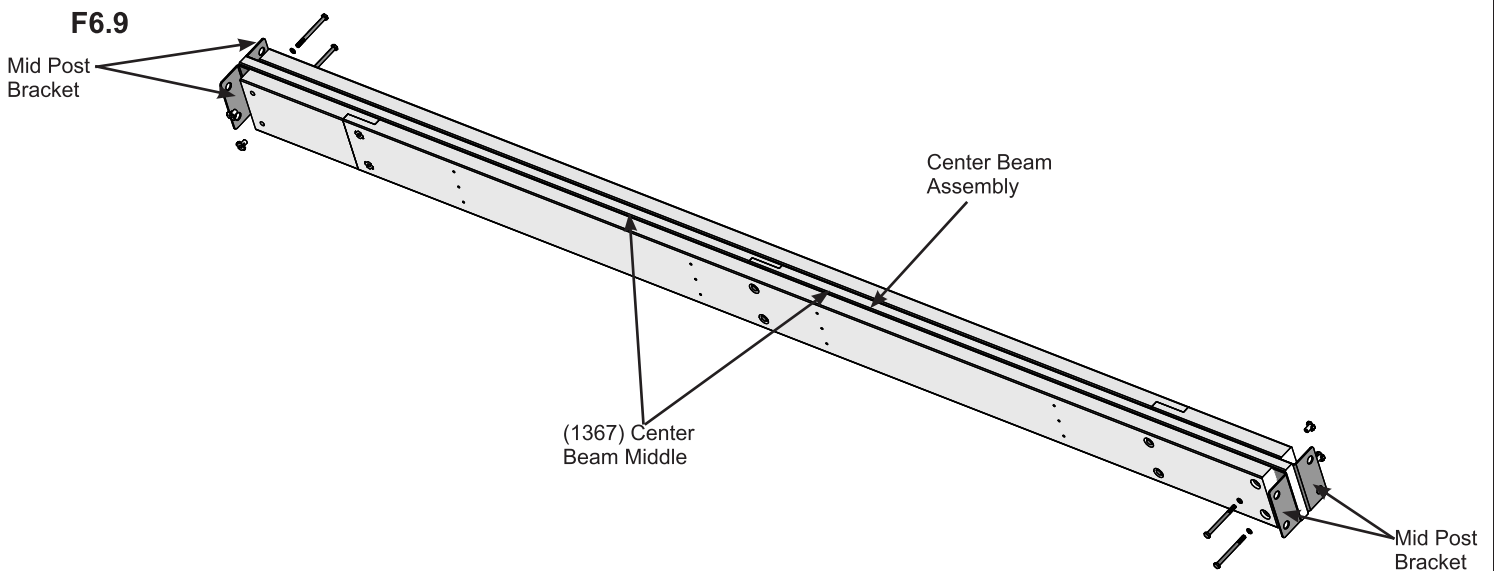
Hardware

6 x 5/16 x 3-3/4" Hex Bolt
 (5/16" lock washer, 5/16" flat washer,
 5/16" t-nuts)

Step 6: Center Beam Assembly Part 4

F: Install two 5/16 T-nuts into Center Beam A Assembly and two 5/16 T-nuts into Center Beam B Assembly. T-nuts are installed in the non-countersink holes. (F6.9 and F6.10)

G: At each end of the Center Beam Assembly insert two Mid Post Brackets with the short side facing out and flush with the end of (1367) Center Beam Middle. Attach with two 5/16 x 3-3/4" Hex Bolts (with 5/16" lock washer and 5/16" flat washer) per end, bolts installed in countersink holes and attaching to t-nuts. (F6.9 and F6.10)



Components

4 x Mid Post Bracket

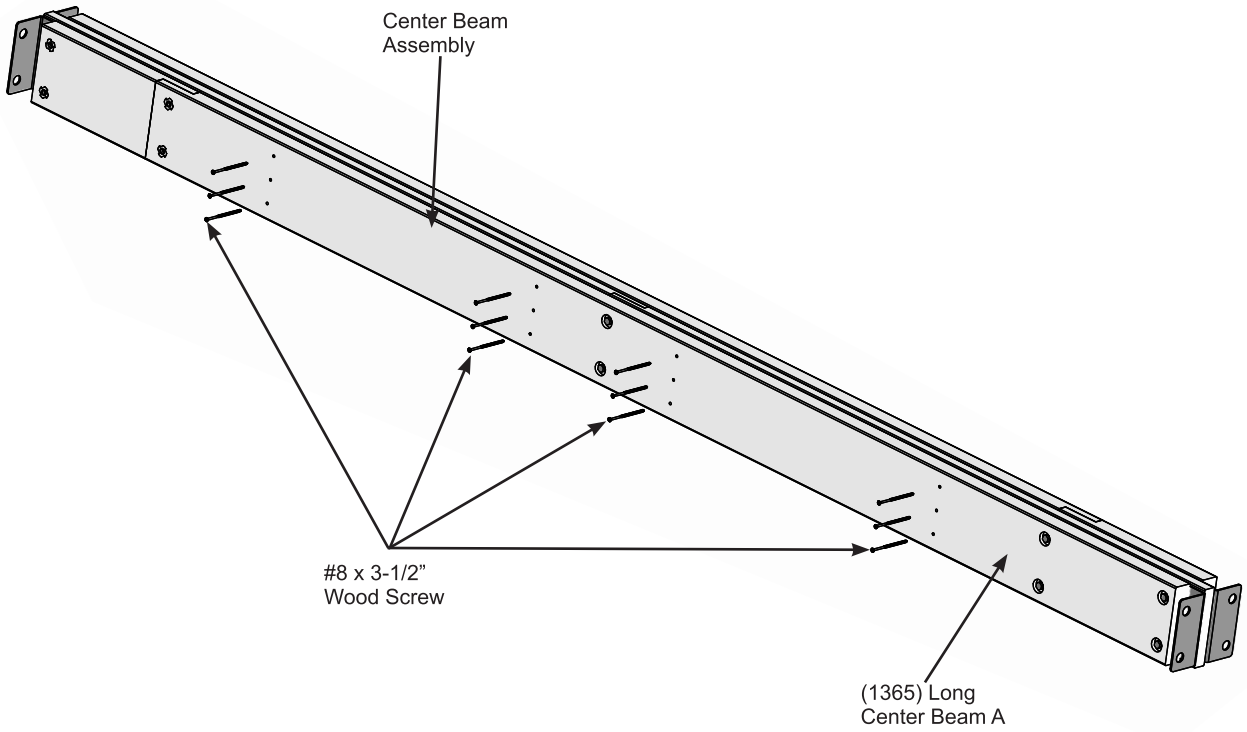
Hardware

4 x 5/16 x 3-3/4" Hex Bolt
(5/16" lock washer, 5/16" flat washer,
5/16" t-nuts)

Step 6: Center Beam Assembly Part 5

H: Secure Center Beam Assembly with (12) #8 x 3-1/2" Wood Screws through (1365) Long Center Beam A as shown in F6.11.

F6.11

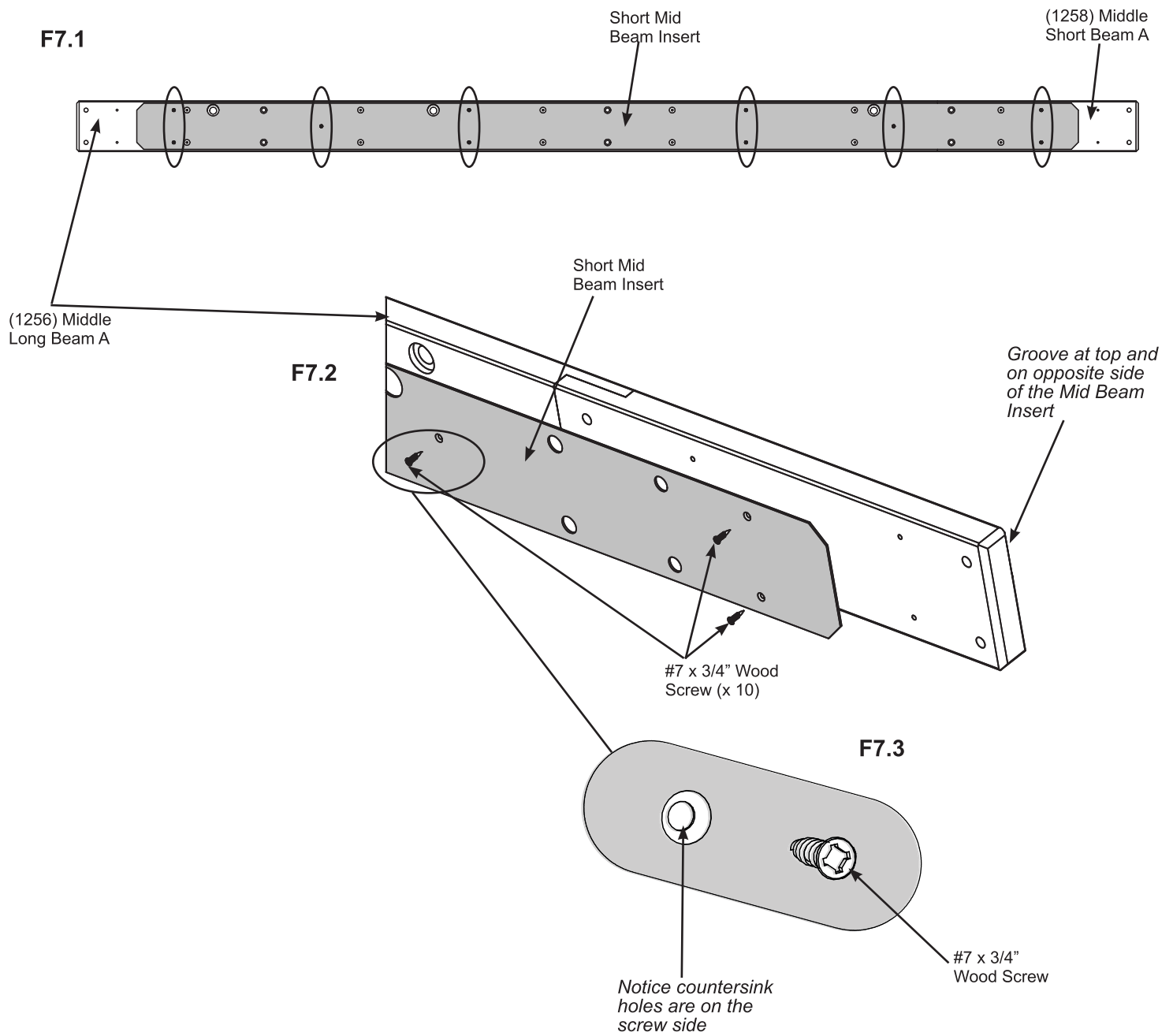


Hardware

12 x #8 x 3-1/2" Wood Screw

Step 7: Middle Beam Assembly Part 1

A: Connect (1256) Middle Long Beam A and (1258) Middle Short Beam A so the lap joints are tight and the groove is at the top. Place Short Mid Beam Insert on top of boards making sure the holes line up. The countersink holes in the Short Mid Beam Insert need to be up so the screw head sits flat along the surface after being installed. Attach Short Mid Beam Insert to (1256) Middle Long Beam A and (1258) Middle Short Beam A with (10) #7 x 3/4" Wood Screws. This will be the Middle Beam A Assembly (F7.1, F7.2 and F7.3)



Wood Parts

2 x (1256) Middle Long Beam A
2 x (1258) Middle Short Beam A

Components

2 x Short Mid Beam Insert

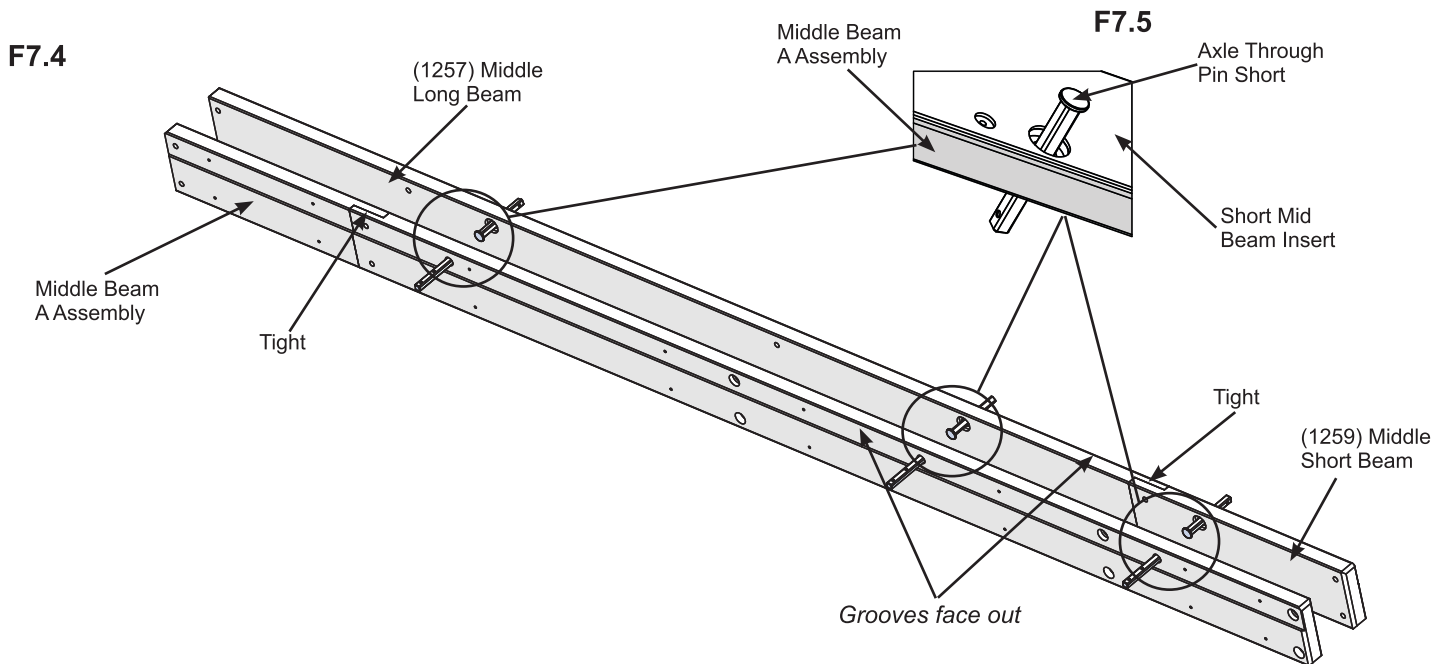
Hardware

20 x #7 x 3/4" Wood Screw

Step 7: Middle Beam Assembly Part 2

B: Place Middle Beam A Assembly on edge then place (1257) Middle Long Beam and (1259) Middle Short Beam beside the assembly, with lap joints tight and grooves face out. Short Mid Beam Insert should be between boards. (F7.4)

C: Place three Axle Through Pin Short through Short Mid Beam Insert, two Axle Through Pin Short through (1257) Middle Long Beam and one through (1259) Middle Short Beam from the inside out. (F7.4 and F7.5)



Wood Parts

2 x (1257) Middle Long Beam
2 x (1259) Middle Short Beam

Components

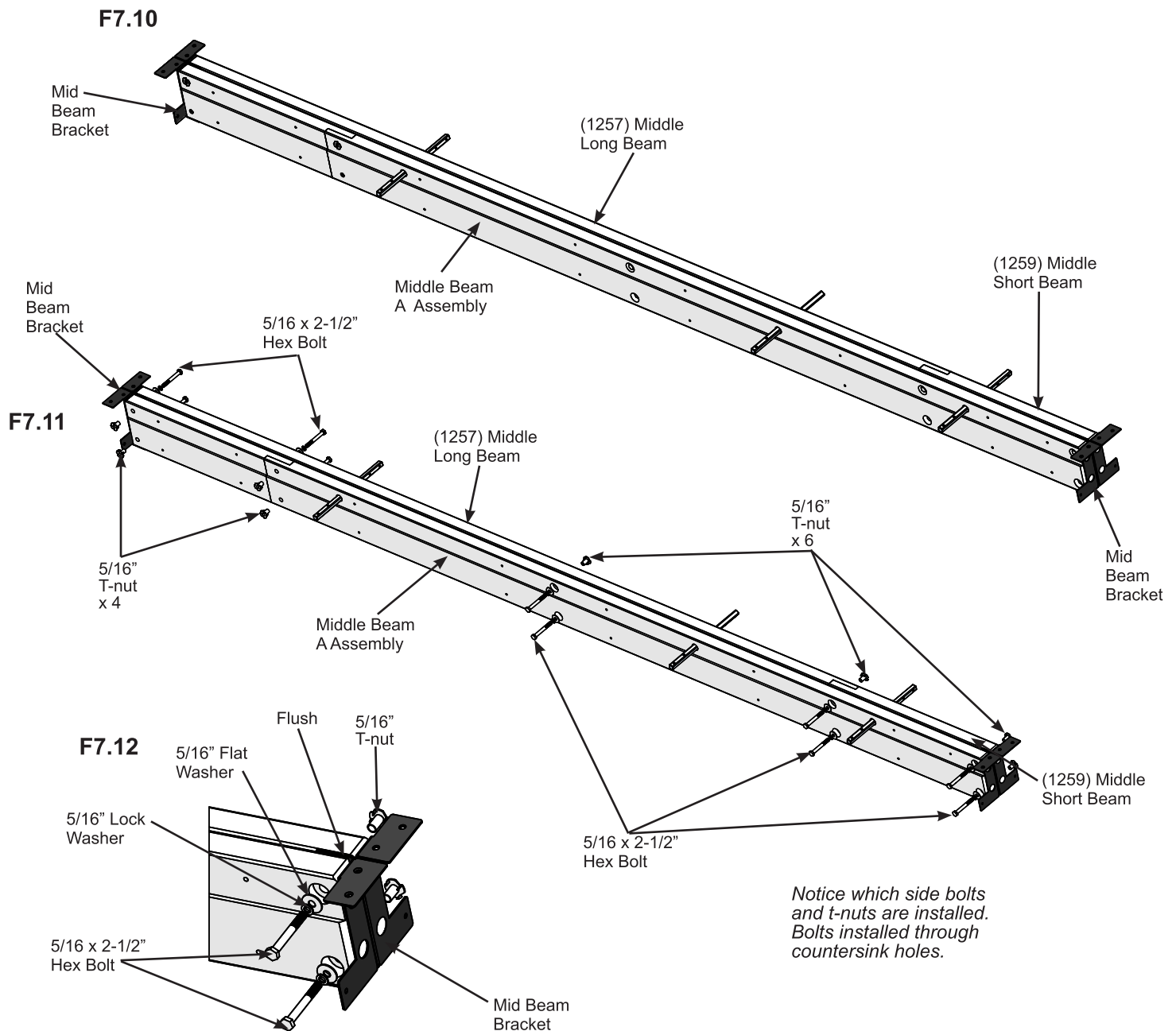
12 x Axle Through Pin Short

Step 7: Middle Beam Assembly

Part 3

D: At each end of the Middle Beam Assembly insert one Mid Beam Bracket, the top of the bracket to be flush to the top of the assembly.

E: Install four 5/16 T-nuts into Middle Beam A Assembly, four to (1257) Middle Long Beam and two to (1259) Middle Short Beam. T-nuts are installed in the non-countersink holes. Attach with (10) 5/16 x 2-1/2" Hex Bolts (with 5/16" lock washer and 5/16" flat washer), bolts installed in countersink holes and attaching to t-nuts. This assembly is the Middle Beam Assembly. (F7.10, F7.11 and F7.12)



Components

4 x Mid Beam Bracket

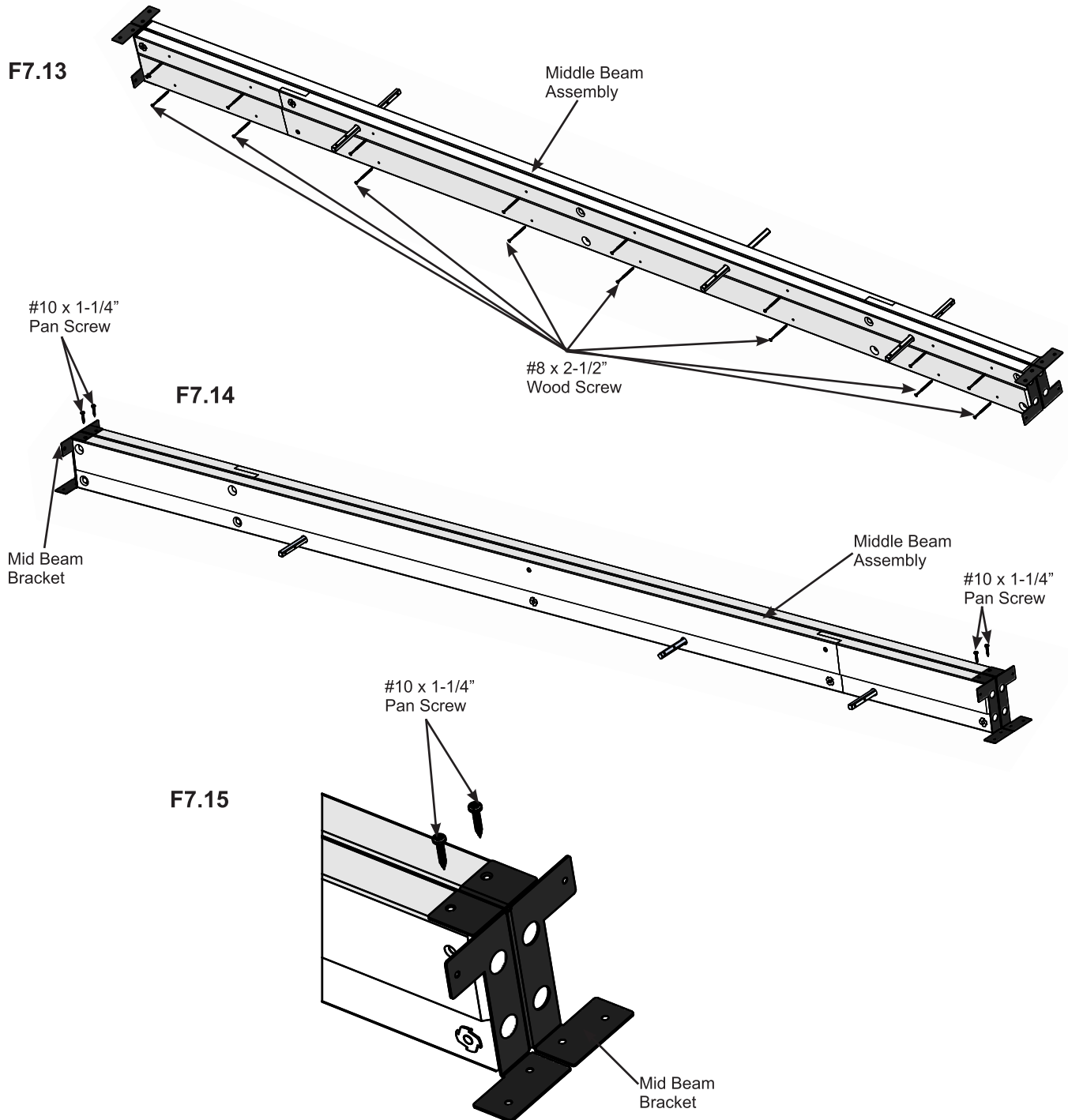
Hardware

20 x 5/16 x 2-1/2" Hex Bolt
(5/16" lock washer, 5/16" flat washer,
5/16" t-nuts)

Step 7: Middle Beam Assembly Part 4

F: Secure Middle Beam Assembly with (16) #8 x 2-1/2" Wood Screws and each Mid Beam Bracket with two #10 x 1-1/4" Pan Screws as shown in F7.13, F7.14 and F7.15.

G: Repeat Steps A to F to make a second Middle Beam Assembly.



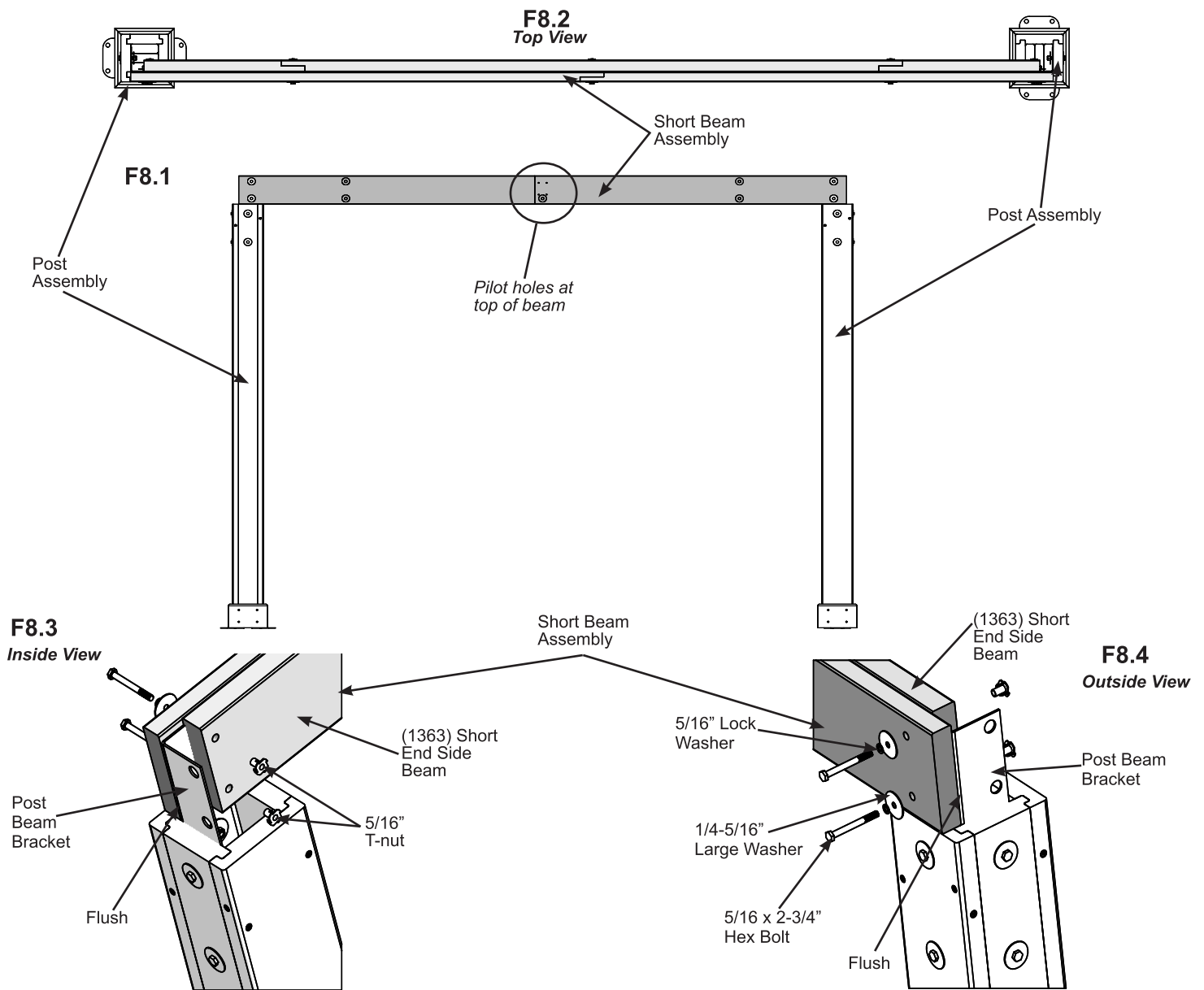
Hardware

32 x #8 x 2-1/2" Wood Screw
8 x #10 x 1-1/4" Pan Screw

Step 8: Short Beam/Post Assembly Part 1



- A:** At each end of the the Short Beam Assembly in the (1363) Short End Side Beams install two 5/16" T-nuts. (F8.3)
- B:** Slide Short Beam Assembly onto Post Beam Brackets with center pilot holes at top of beam, flush to the side of Post Beam Brackets. T-nuts face away from brackets and beam to be tight to top of posts. (F8.1, F8.2 and F8.3)
- C:** Make sure beam is square to posts then attach Short Beam Assembly to brackets with four 5/16 x 2-3/4" Hex Bolts (with 5/16" lock washer and 1/4-5/16" large washer). The bolts will connect to the previously installed t-nuts. (F8.1, F8.2 and F8.4)



Hardware

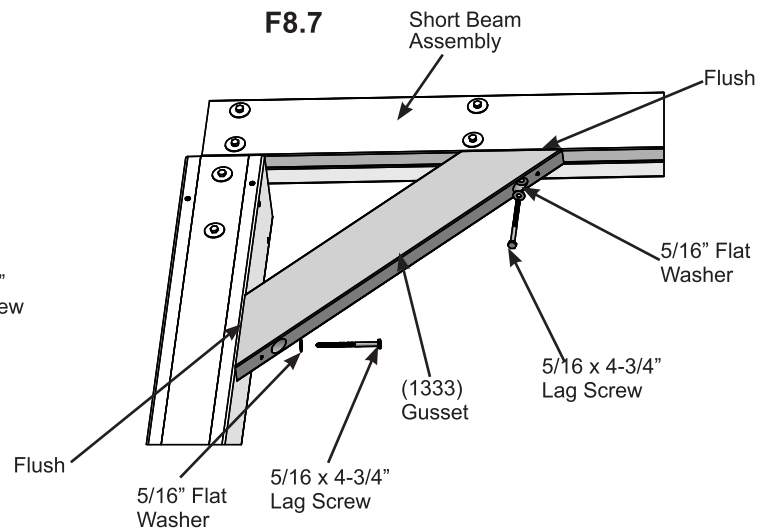
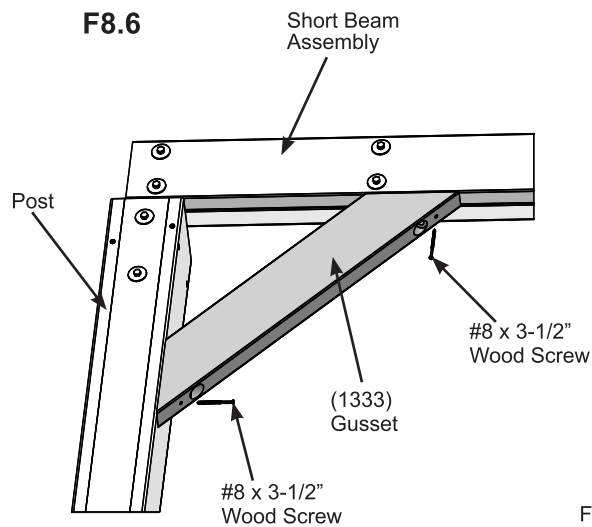
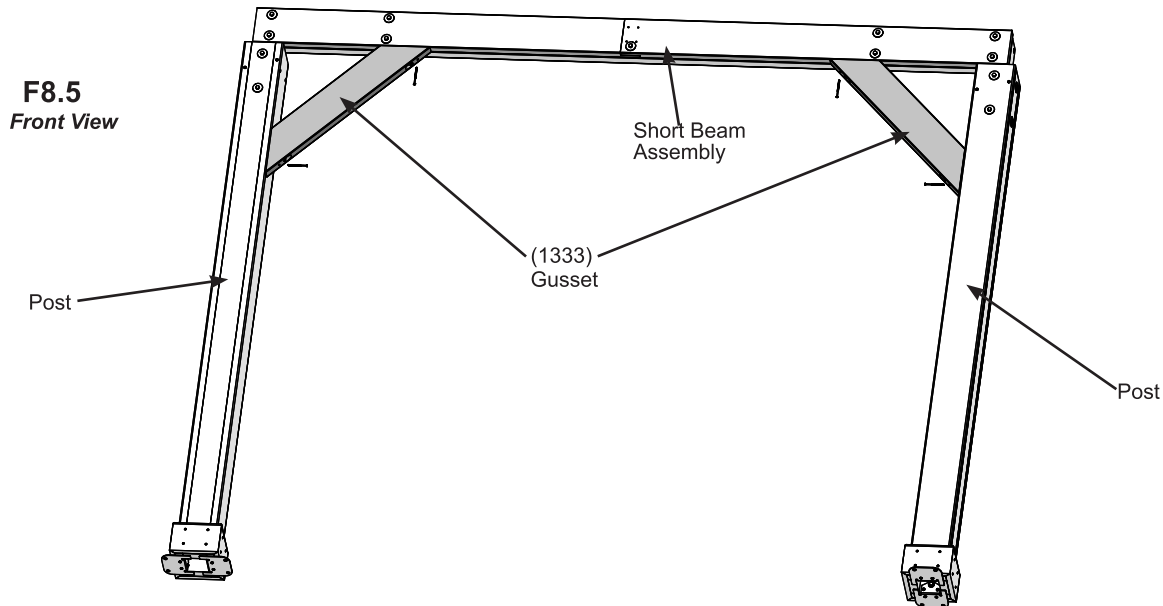
8 x 5/16 x 2-3/4" Hex Bolt
(5/16" lock washer, 1/4-5/16" large washer, 5/16" t-nuts)

Step 8: Short Beam/Post Assembly Part 2



G: Place one (1333) Gusset flush to front of Short Beam Assembly and flush to the front of the post. Attach gusset to Short Beam Assembly and post with two #8 x 3-1/2" Wood Screws. Pre-drill with a 1/8" drill bit then attach gusset with two 5/16 x 4-3/4" Lag Screws (with 5/16" flat washer). (F8.5, F8.6 and F8.7)

H: Repeat Steps A - G to make a second Short Beam/Post Assembly.



Wood Parts

4 x (1333) Gusset

Hardware

8 x #8 x 3-1/2" Wood Screw

8 x 5/16 x 4-3/4" Lag Screw (5/16" flat washer)

Step 9: Long Beam/Post Assembly Part 1



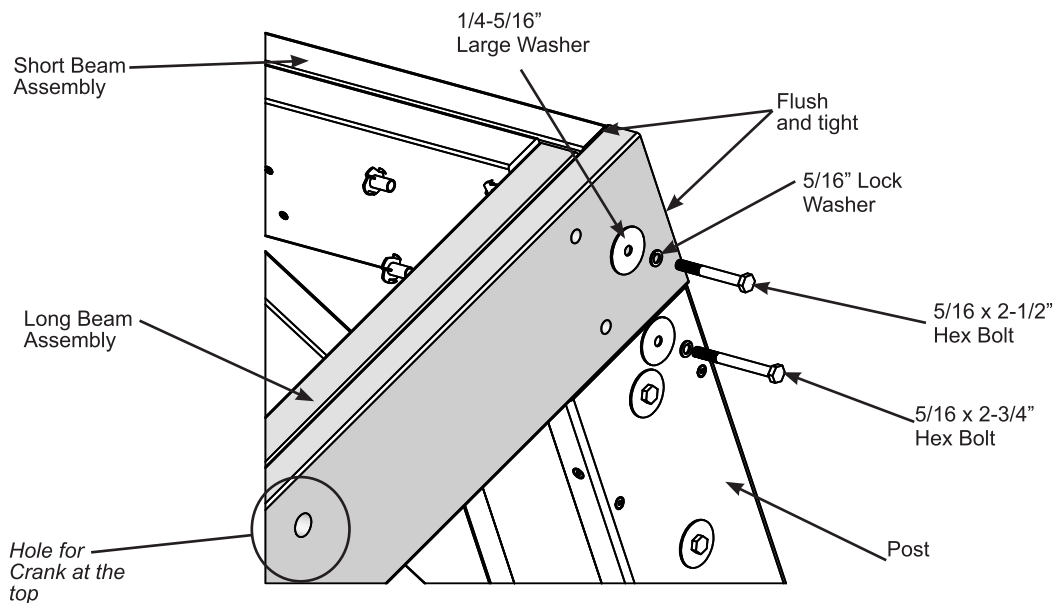
Move Short Beam/Post Assemblies to the final location.

A: On both Long Beam Assemblies tap two 5/16" T-nuts into each end. T-nuts should be installed on the same side as previous t-nuts are installed. (F9.2)

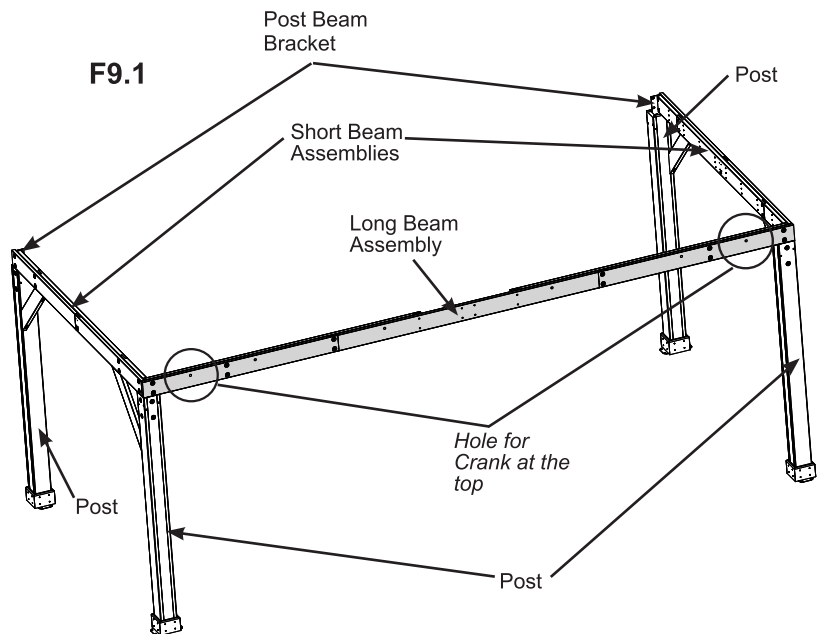
B: With helpers stand up Short Beam/Post Assemblies then slide Long Beam Assembly onto Post Beam Bracket, tight to Short Beam Assemblies and flush to the tops and outside corners of Short Beam Assemblies. Attach Long Beam Assembly to Post Beam Brackets with one 5/16 x 2-3/4" Hex Bolt (with 5/16" lock washer and 1/4-5/16" large washer) in the bottom hole and one 5/16 x 2-1/2" Hex Bolt (with 5/16" lock washer and 1/4-5/16" large washer) in the top hole per corner. The bolts will connect to the previously installed t-nuts. (F9.1 and F9.3)

Note: The Groove and the Hole for Crank at the top of beam

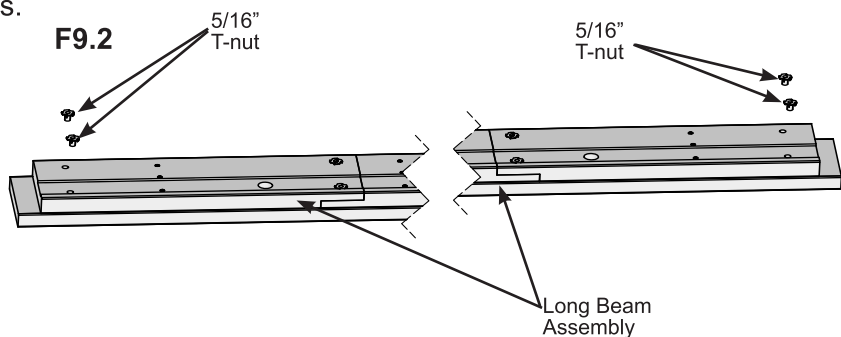
F9.3



F9.1



F9.2



Hardware

- 4 x 5/16 x 2-1/2" Hex Bolt (5/16" lock washer, 1/4-5/16" large washer, 5/16" t-nuts)
- 4 x 5/16 x 2-3/4" Hex Bolt (5/16" lock washer, 1/4-5/16" large washer, 5/16" t-nuts)

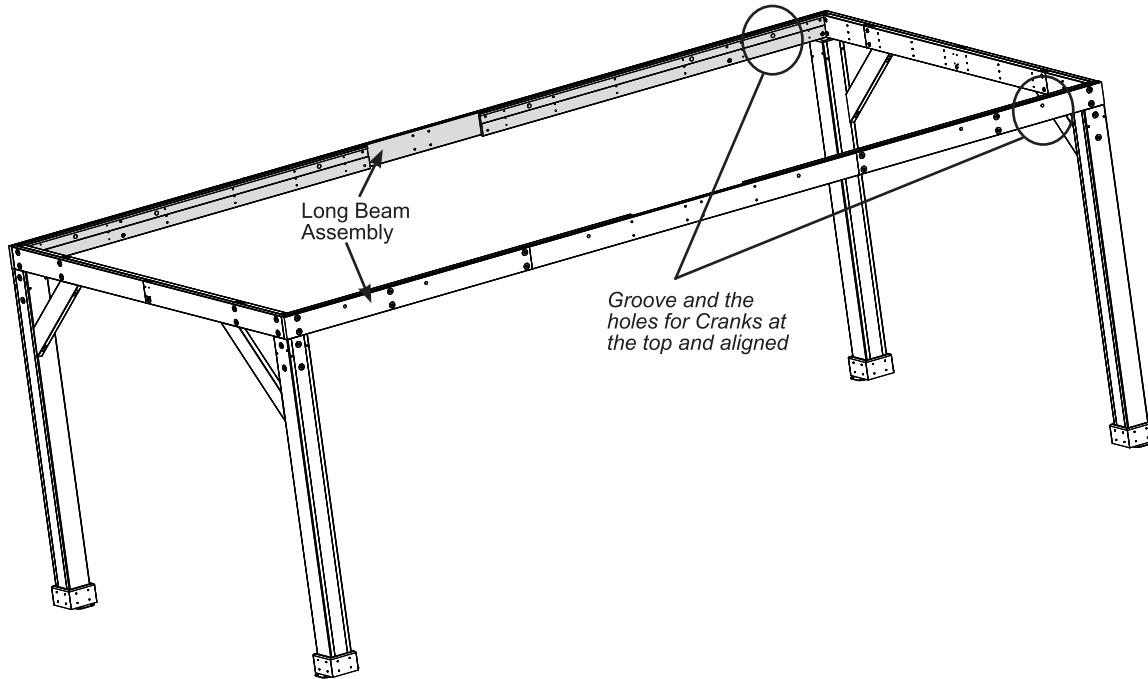
Step 9: Long Beam/Post Assembly Part 2



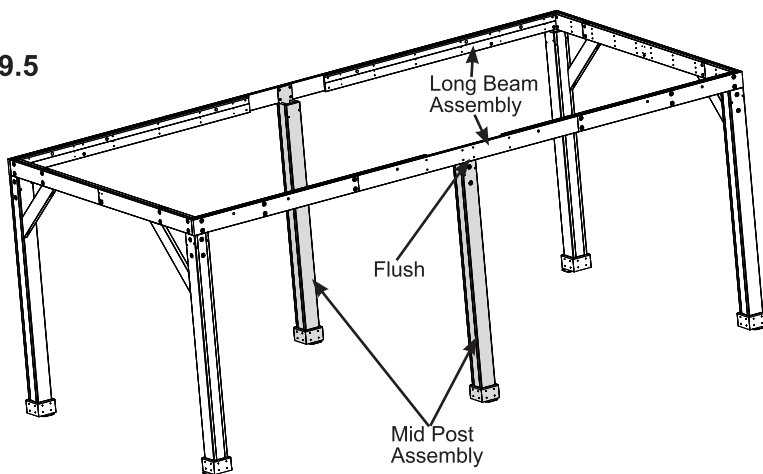
C: Repeat Step A to B for second Long Beam Assembly. Make sure the groove and the holes for the crank are at the top and aligned. (F9.4)

D: With a helper stand up two Mid Post Assemblies and place them in the center of the long beams so that the center holes in (1359) Long Beam Center line up with holes in the Mid Post Flat Bracket. (F9.5 and F9.6)

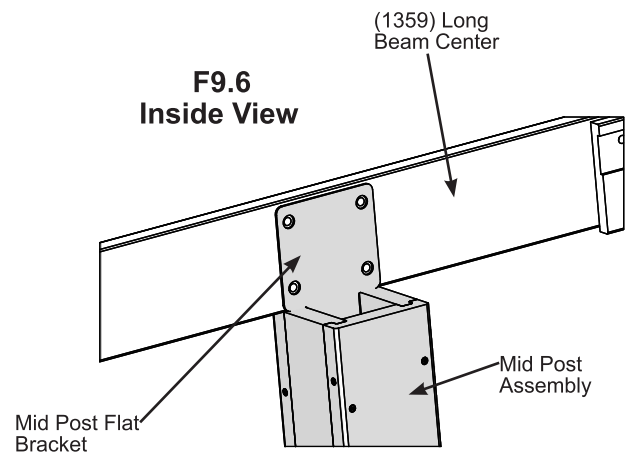
F9.4



F9.5



**F9.6
Inside View**



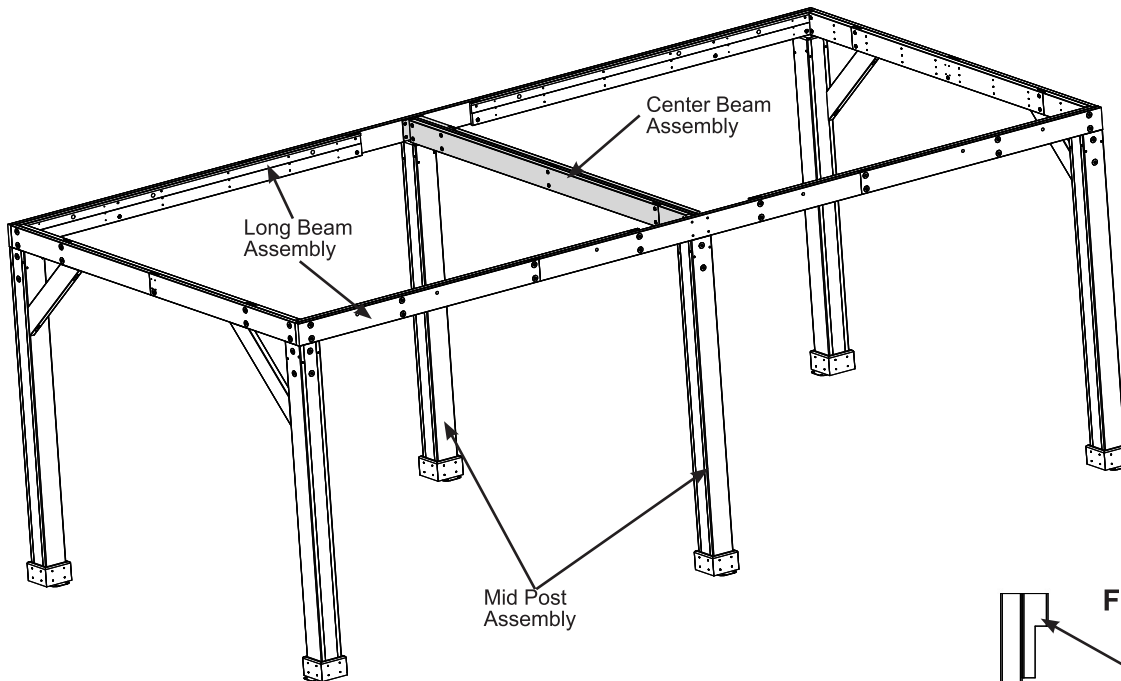
Step 9: Long Beam/Post Assembly Part 3



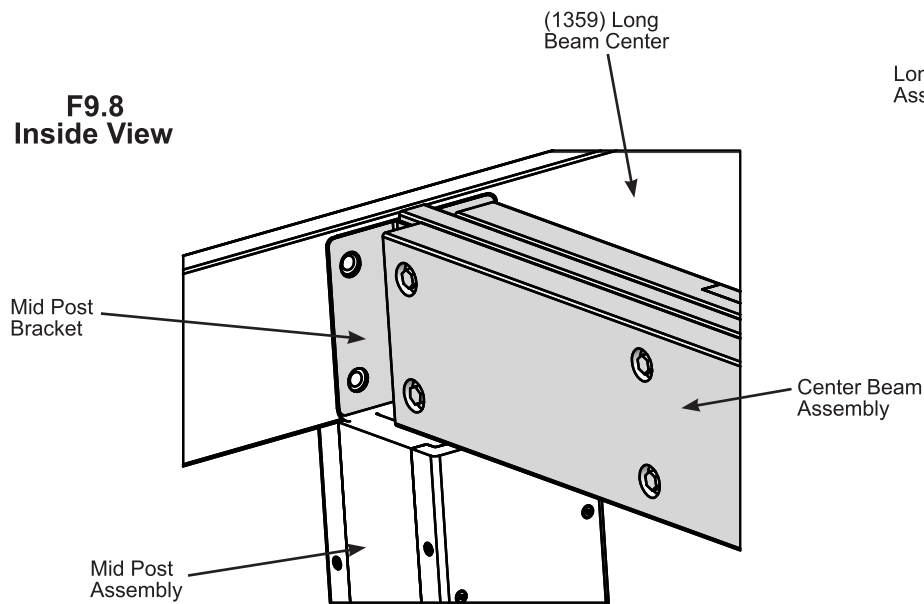
E: At the end of the lap on (1358) Left Long Beam, measure 16-5/8" (42.25 cm) and mark the center of both Long Beam Assemblies. (F9.9)

F: With a helper lift the Center Beam Assembly onto the Mid Post Assemblies so the holes in the Mid Post Brackets line up with the holes in (1359) Long Beam Center and the (1367) Center Beam Middle lines up with the mark. (F9.7, F9.8 and F9.9)

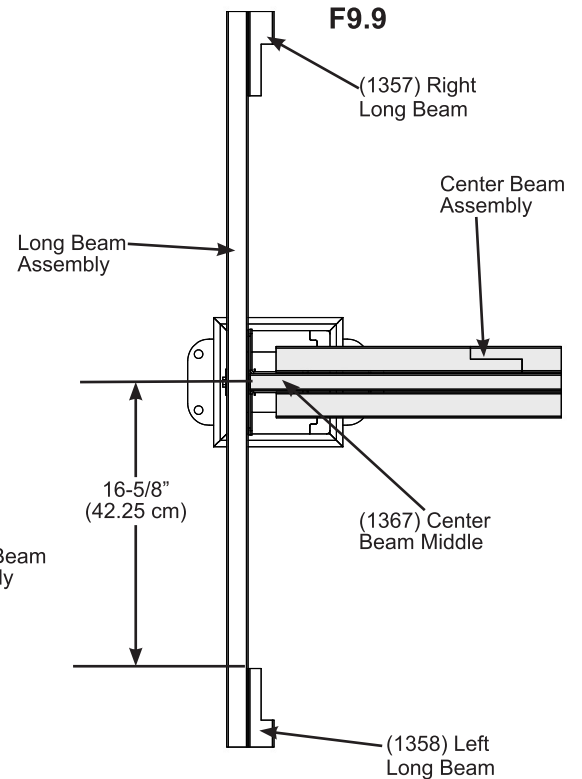
F9.7



**F9.8
Inside View**



F9.9



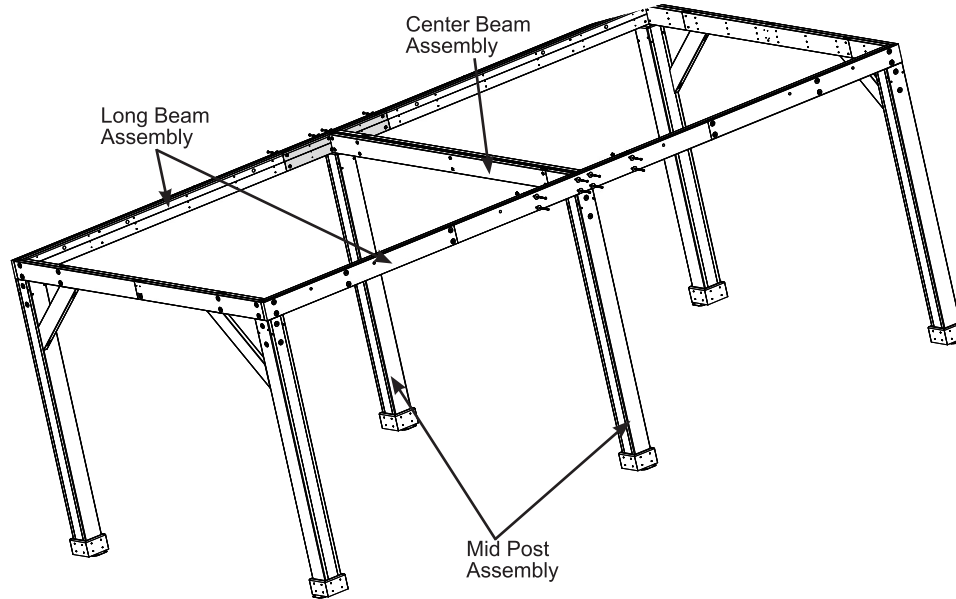
Step 9: Long Beam/Post Assembly Part 4



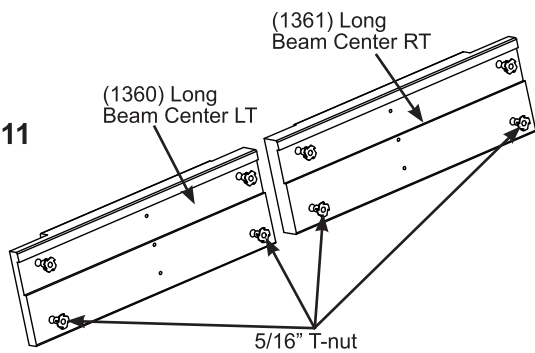
F: On two (1360) Long Beam Center LT and two (1361) Long Beam Center RT tap two 5/16" T-nuts into each end. T-nuts should be installed on the same side as the groove. (F9.11 and F9.12)

G: Place (1360) Long Beam Center LT and (1361) Long Beam Center RT on each side of the Center Beam Assembly so the holes align and the laps are tight. Attach with two 5/16 x 2-3/4" Hex Bolts (with 5/16" lock washer and 1/4-5/16" large washer) in the bottom holes and two 5/16 x 2-1/2" Hex Bolts (with 5/16" lock washer and 1/4-5/16" large washer) in the top hole per board. The bolts will connect to the previously installed t-nuts. (F9.10 and F9.12)

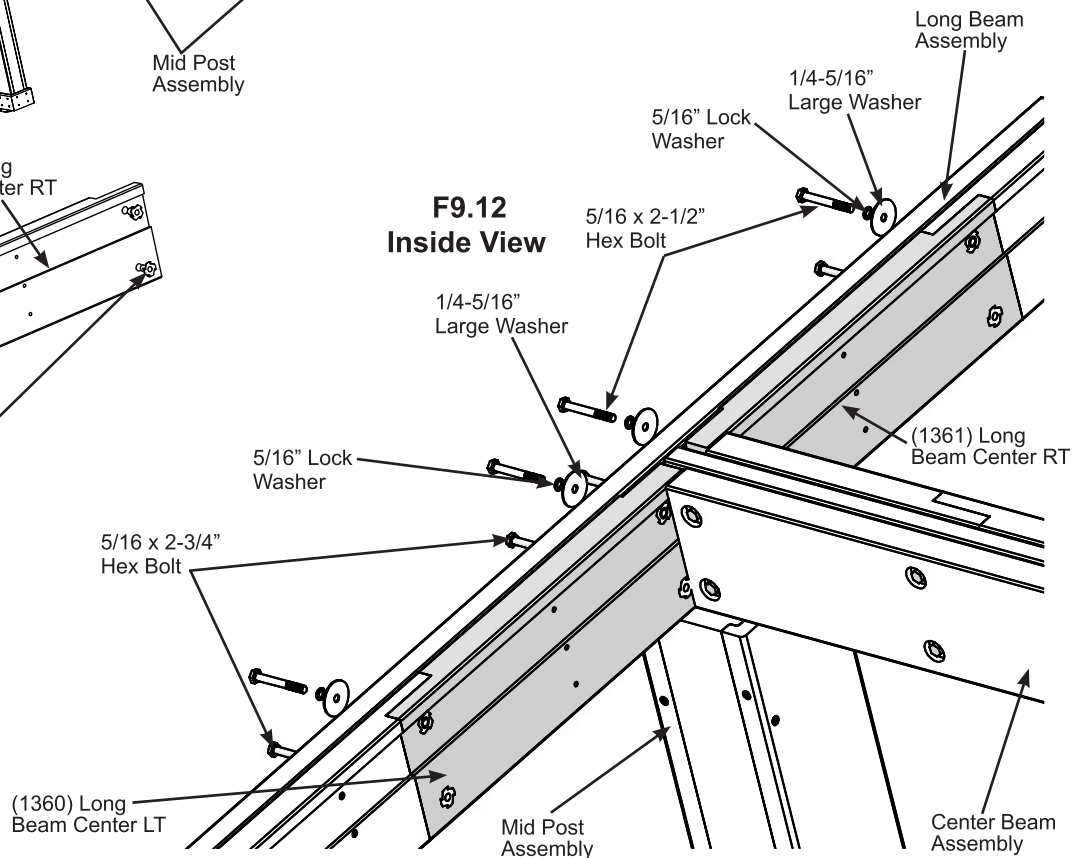
F9.10



F9.11



**F9.12
Inside View**



Wood Parts

- 2 x (1360) Long Beam Center LT
- 2 x (1361) Long Beam Center RT

Hardware

- 8 x 5/16 x 2-1/2" Hex Bolt
(5/16" lock washer, 1/4-5/16" large washer, 5/16" t-nuts)
- 8 x 5/16 x 2-3/4" Hex Bolt
(5/16" lock washer, 1/4-5/16" large washer, 5/16" t-nuts)

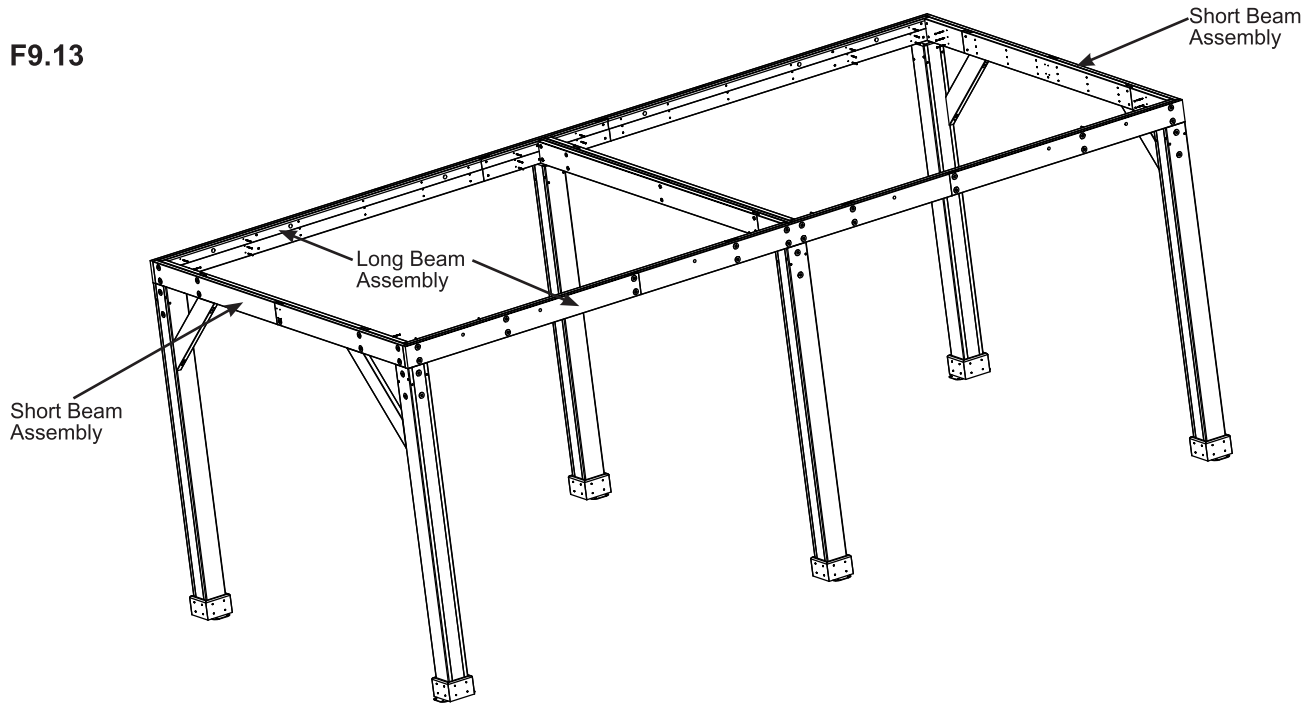
Step 9: Long Beam/Post Assembly Part 5



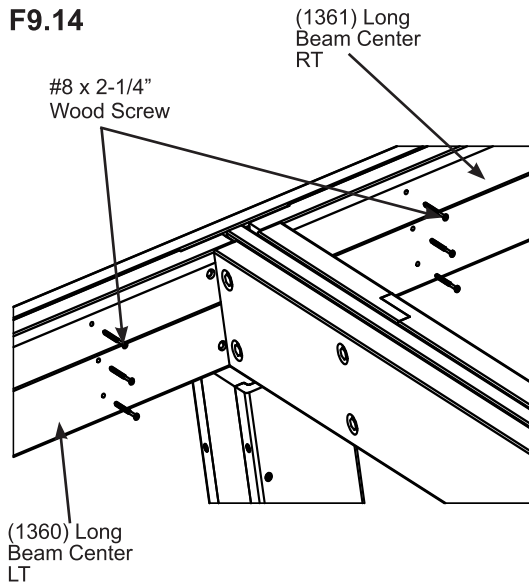
H: From inside the assembly install three #8 x 2-1/4" Wood Screws to each (1360) Long Beam Center LT and (1361) Long Beam Center RT. (F9.13 and F9.14)

I: From inside the assembly install six #8 x 2-1/4" Wood Screws to the ends of each Long Beam Assembly and three #8 x 2-1/2" Wood Screws to the ends of each Short Beam Assembly. (F9.13 and F9.15)

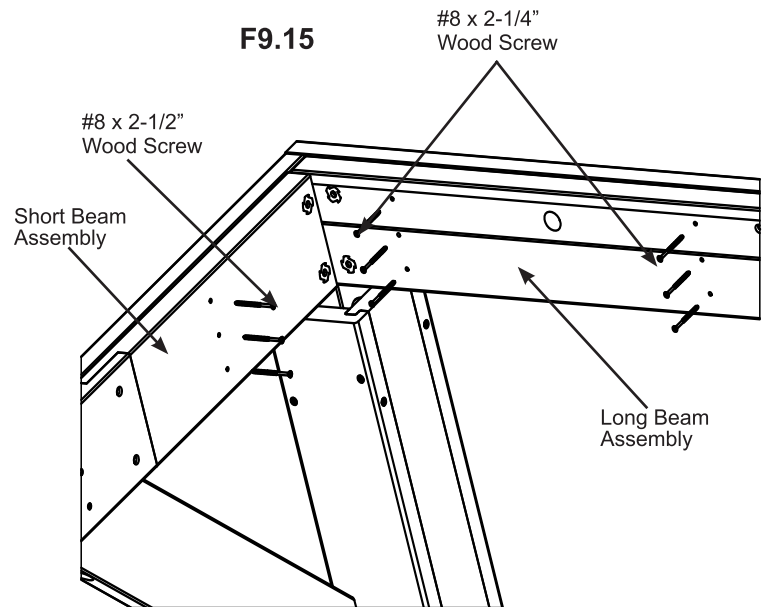
F9.13



F9.14



F9.15



Hardware

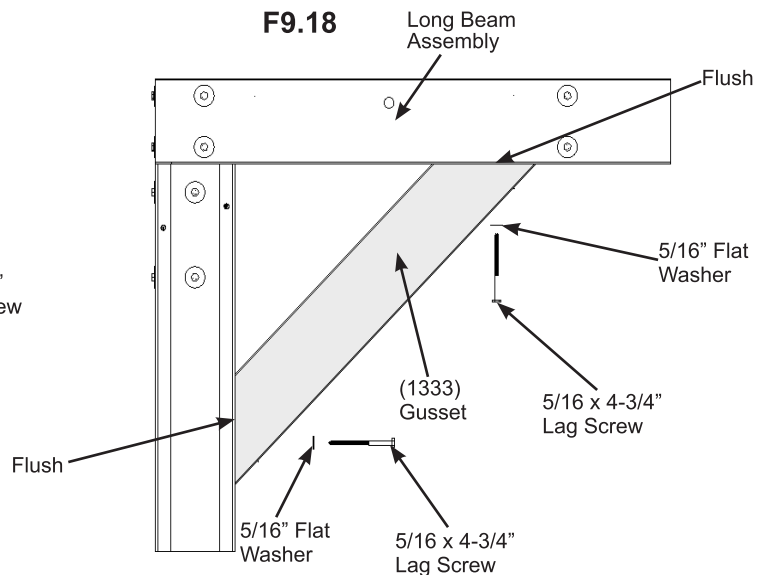
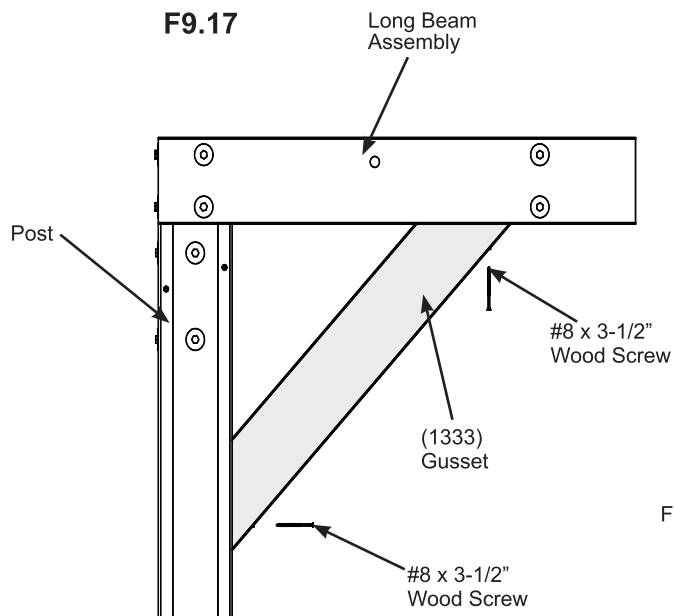
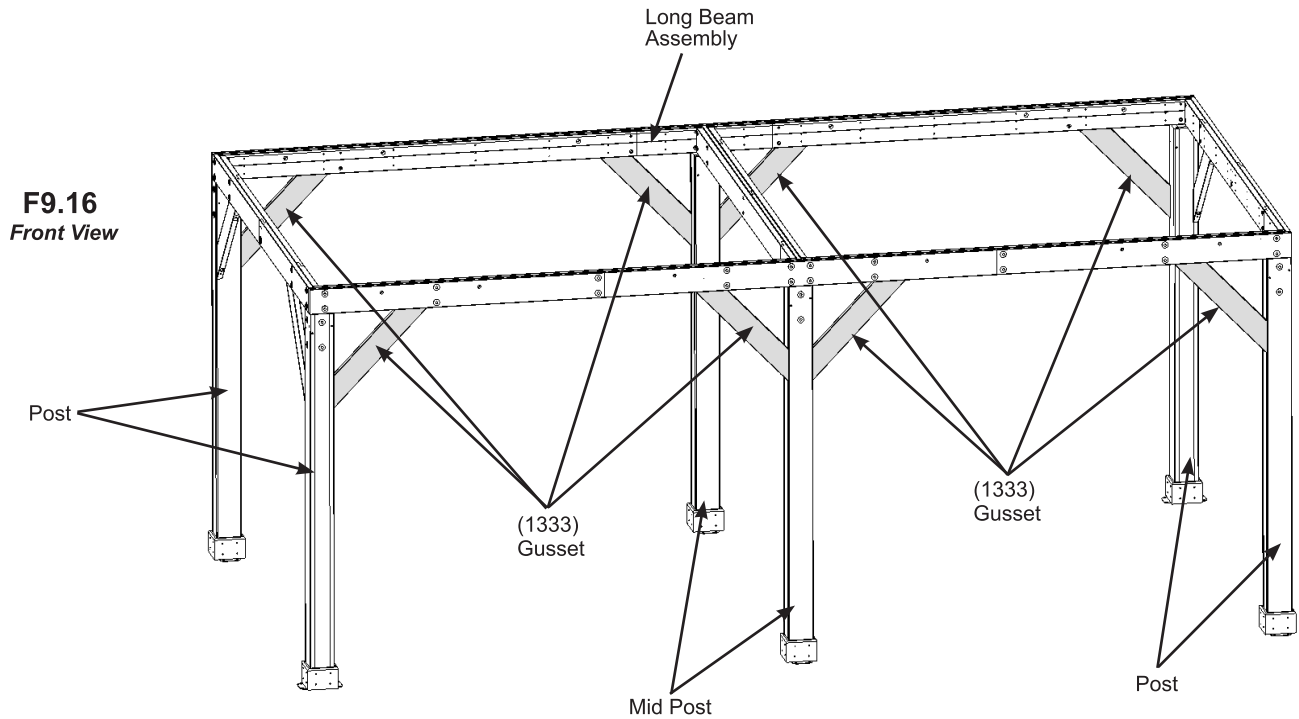
36 x #8 x 2-1/4" Wood Screw

12 x #8 x 2-1/2" Wood Screw

Step 9: Long Beam/Post Assembly Part 6



J: Place one (1333) Gusset flush to front of Long Beam Assembly and flush to the front of the Post and Mid Post. Attach gusset to Long Beam Assembly, Post and Mid Post with two #8 x 3-1/2" Wood Screws. Pre-drill with a 1/8" drill bit then attach gusset with two 5/16 x 4-3/4" Lag Screws (with 5/16" flat washer). (F9.16, F9.17 and F9.18)



Wood Parts

8 x (1333) Gusset

Hardware

16 x #8 x 3-1/2" Wood Screw

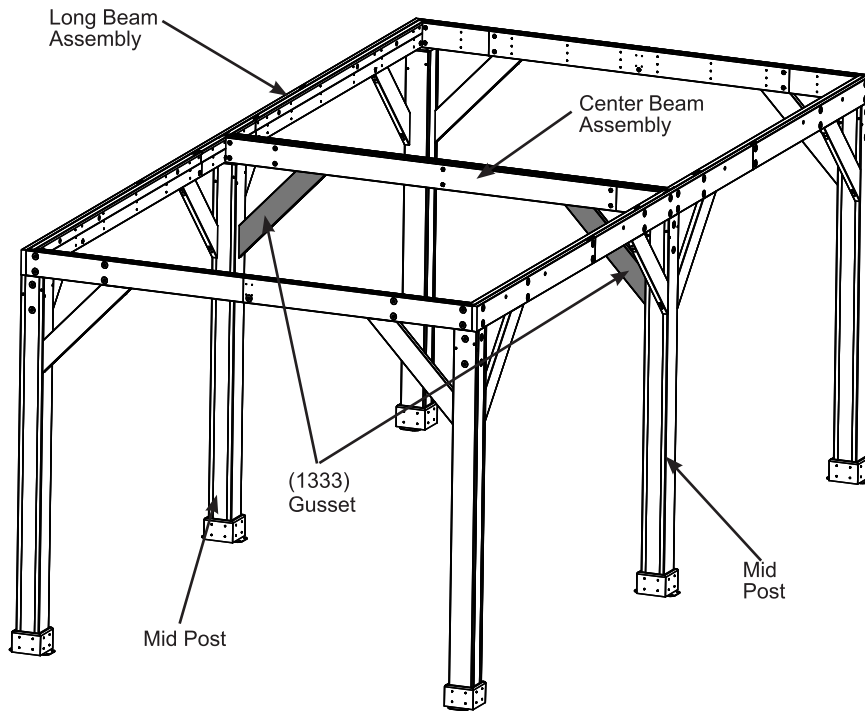
16 x 5/16 x 4-3/4" Lag Screw (5/16" flat washer)

Step 9: Long Beam/Post Assembly Part 7

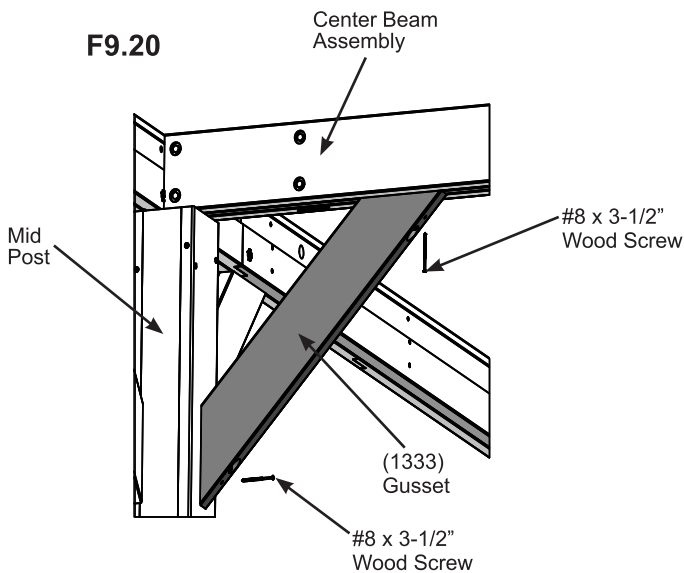


K: Place one (1333) Gusset centered to the Mid Post and Center Beam Assembly. Attach gusset to Mid Post and Center Beam Assembly with two #8 x 3-1/2" Wood Screws. Pre-drill with a 1/8" drill bit then attach gusset with two 5/16 x 4-3/4" Lag Screws (with 5/16" flat washer). (F9.19, F9.20 and F9.21)

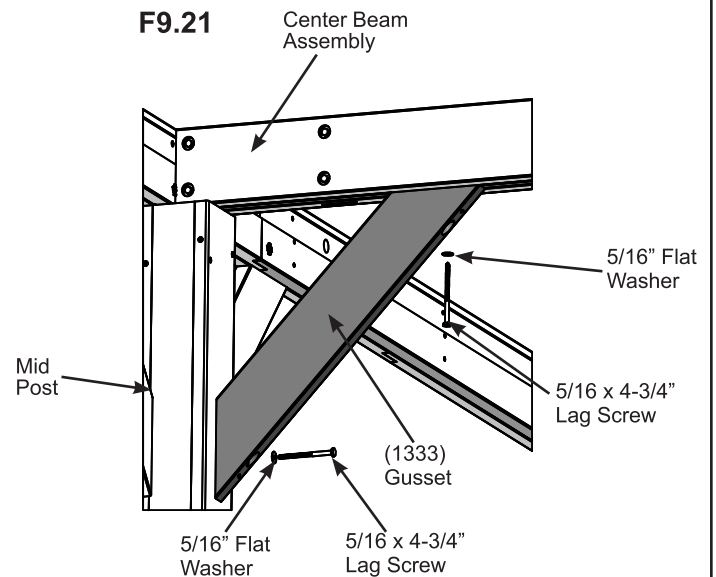
F9.19



F9.20



F9.21



Wood Parts

2 x (1333) Gusset

Hardware

4 x #8 x 3-1/2" Wood Screw

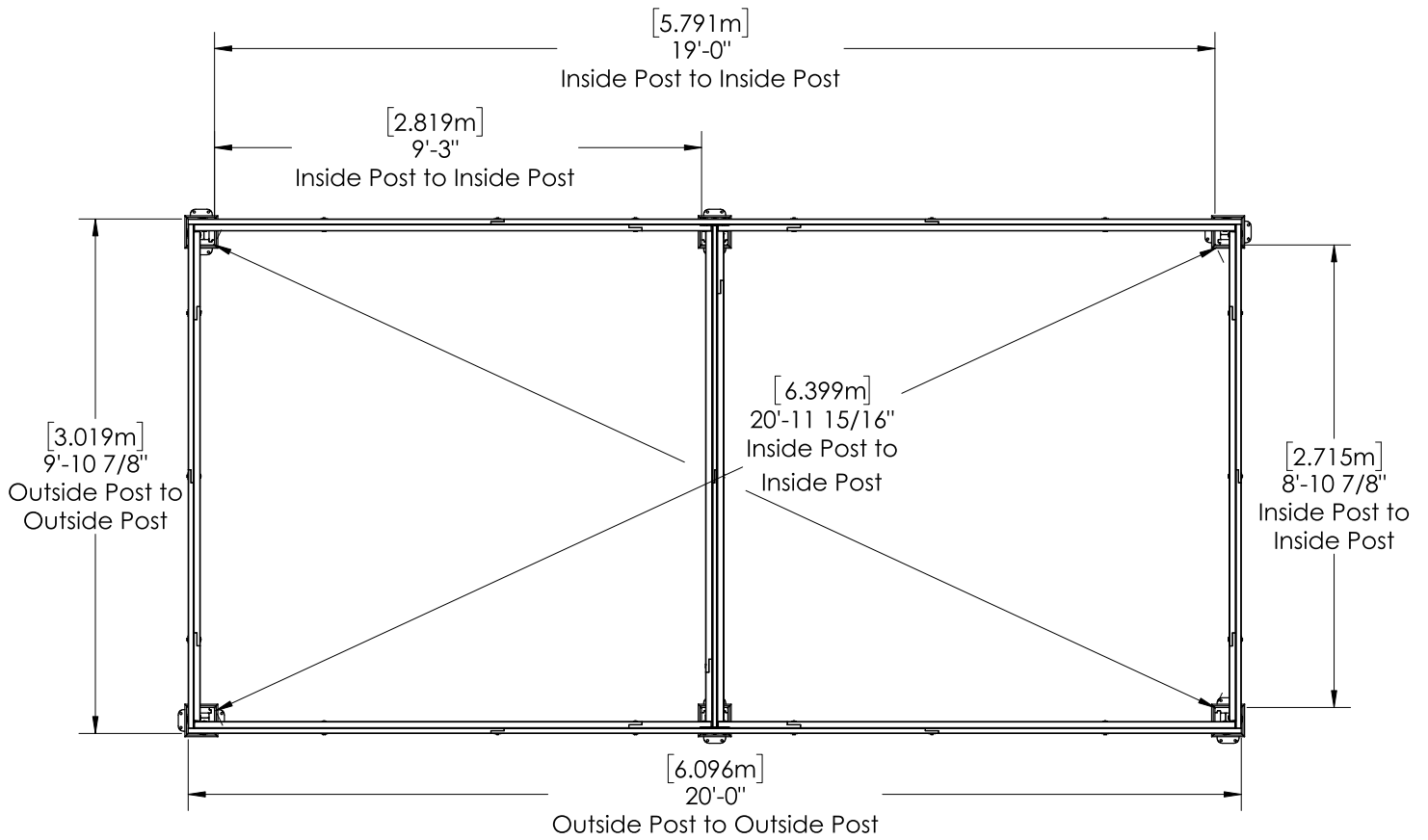
4 x 5/16 x 4-3/4" Lag Screw (5/16" flat washer)

Step 10: Check Frame Dimensions



A: The diagonal distance between the inside of two posts should be 20'-11 15/16" (6.399 m) (measuring from posts not from Post Mounts. (F10.1)

F10.1



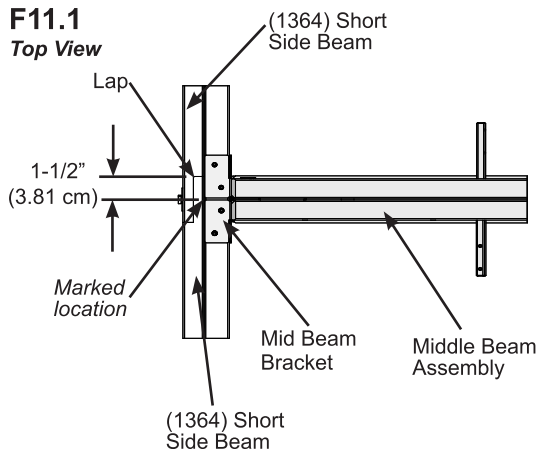
Step 11: Attach Middle Beam Assembly Part 1



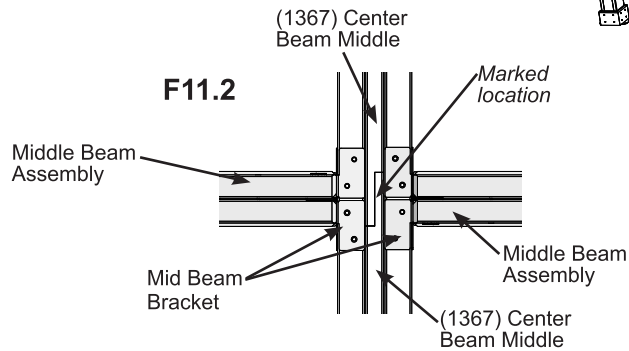
A: On each Short Beam Assembly, at the lap where two (1364) Short Side Beams meet, measure 1-1/2" (3.81 cm) and mark the spot. On Center Beam Middle, at the lap where two (1367) Center Beam Middles meet, measure 1-1/2" (3.81 cm) and mark the spot. (F11.1 and F11.2)

B: Place two Middle Beam Assemblies at the centre of Short Beam Assembly and Center Beam Assembly so the middle of Mid Beam Bracket lines up with the previously marked location on the Short Beam Assembly and Center Beam Assembly. Make sure Axle Through Pin Shorts are at the top of the beam. They will be aligned with the holes for the Crank. Attach Mid Beam Bracket to Short Beam Assemblies and Center Beam Assembly with six #8 x 1-1/2" Wood Screws per bracket. (F11.3, F11.4 and F11.5)

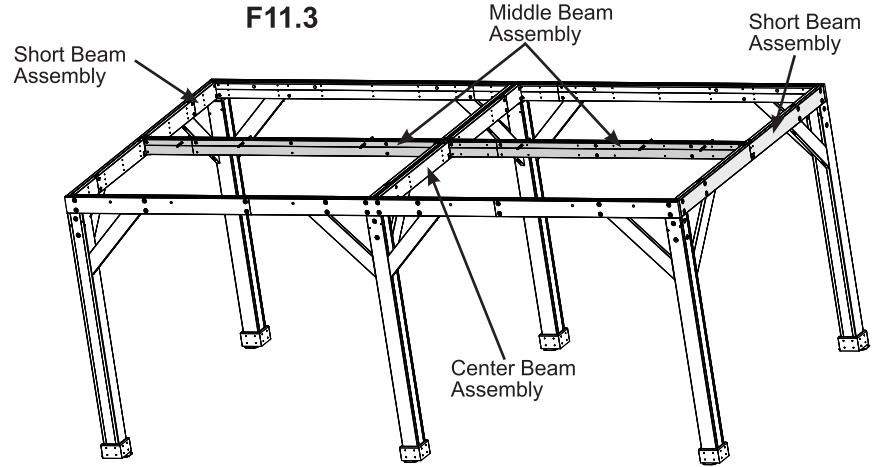
F11.1
Top View



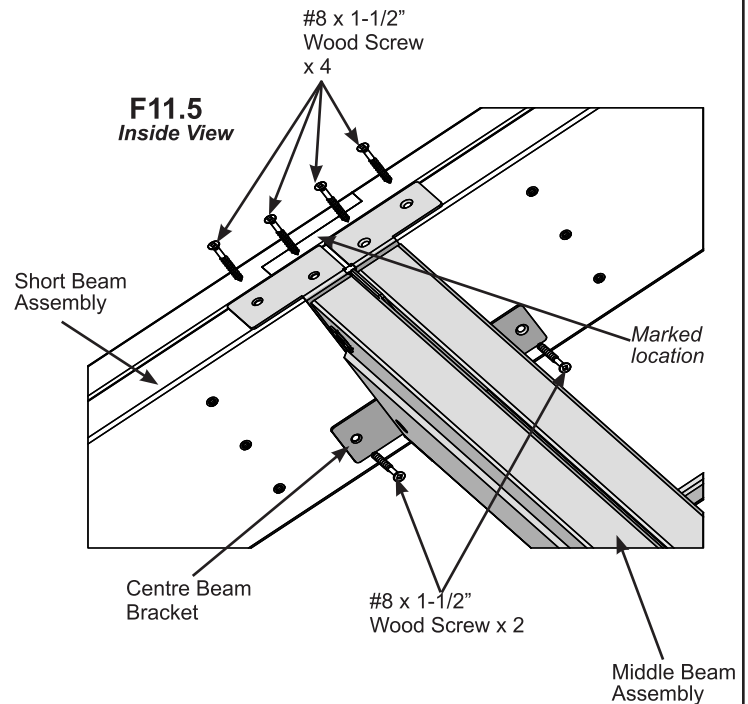
F11.2



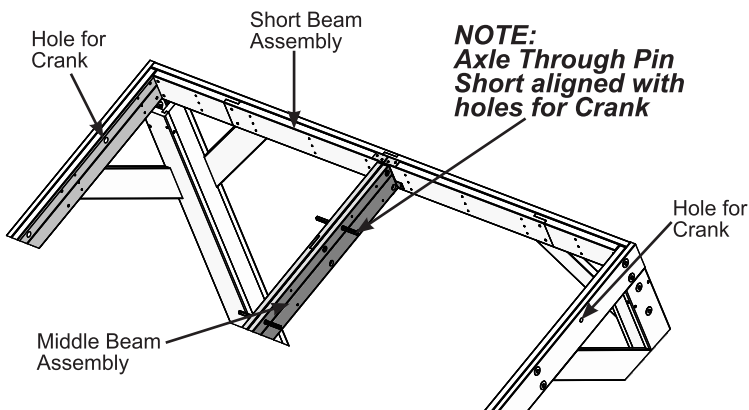
F11.3



F11.5
Inside View



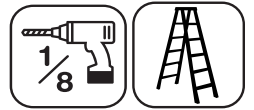
F11.4



Hardware

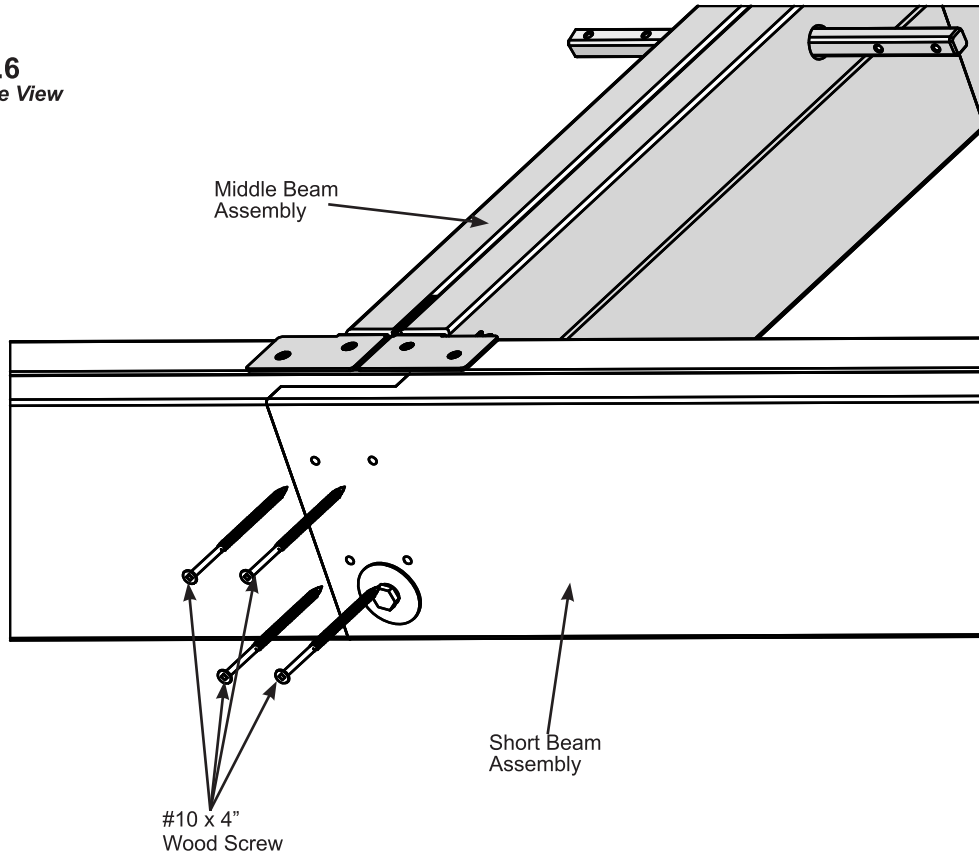
24 x #8 x 1-1/2" Wood Screw

Step 11: Attach Middle Beam Assembly Part 2



C: Predrill with a 1/8" drill bit then attach Short Beam Assemblies to Middle Beam Assemblies with four #10 x 4" Wood Screws per end. (F11.6)

F11.6
Outside View



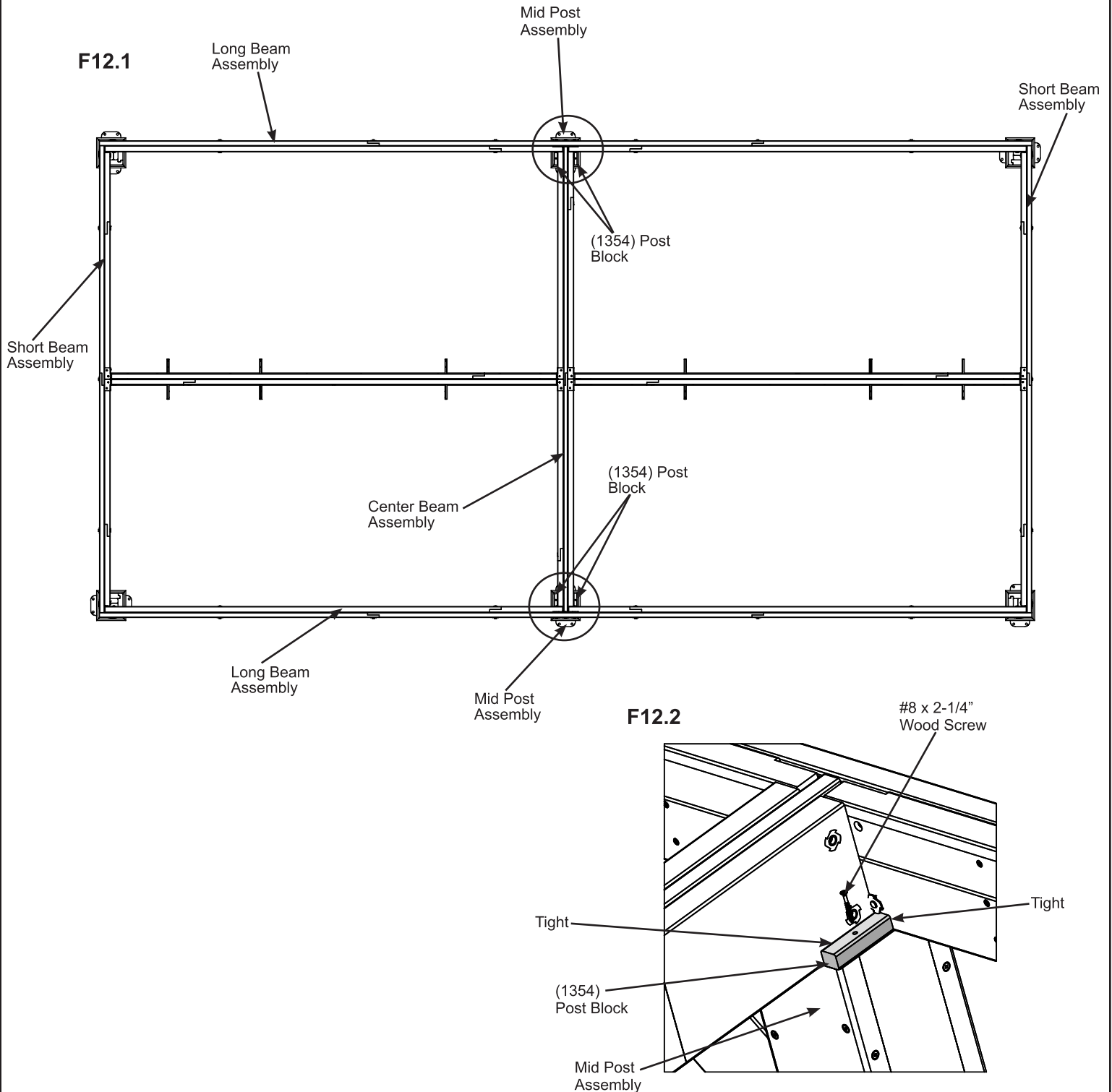
Hardware

8 x #10 x 4" Wood Screw

Step 12: Attach Post Blocks



A: At each Mid Post Assembly place two (1354) Post Blocks, one on each side of the Center Beam Assemblies tight to the Long Beam Assembly and Center Beam Assembly. Attach each (1354) Post Block to Mid Post with one #8 x 2-1/4" Wood Screw per block. (F12.1 and F12.2)



Wood Parts

4 x (1354) Post Block

Hardware

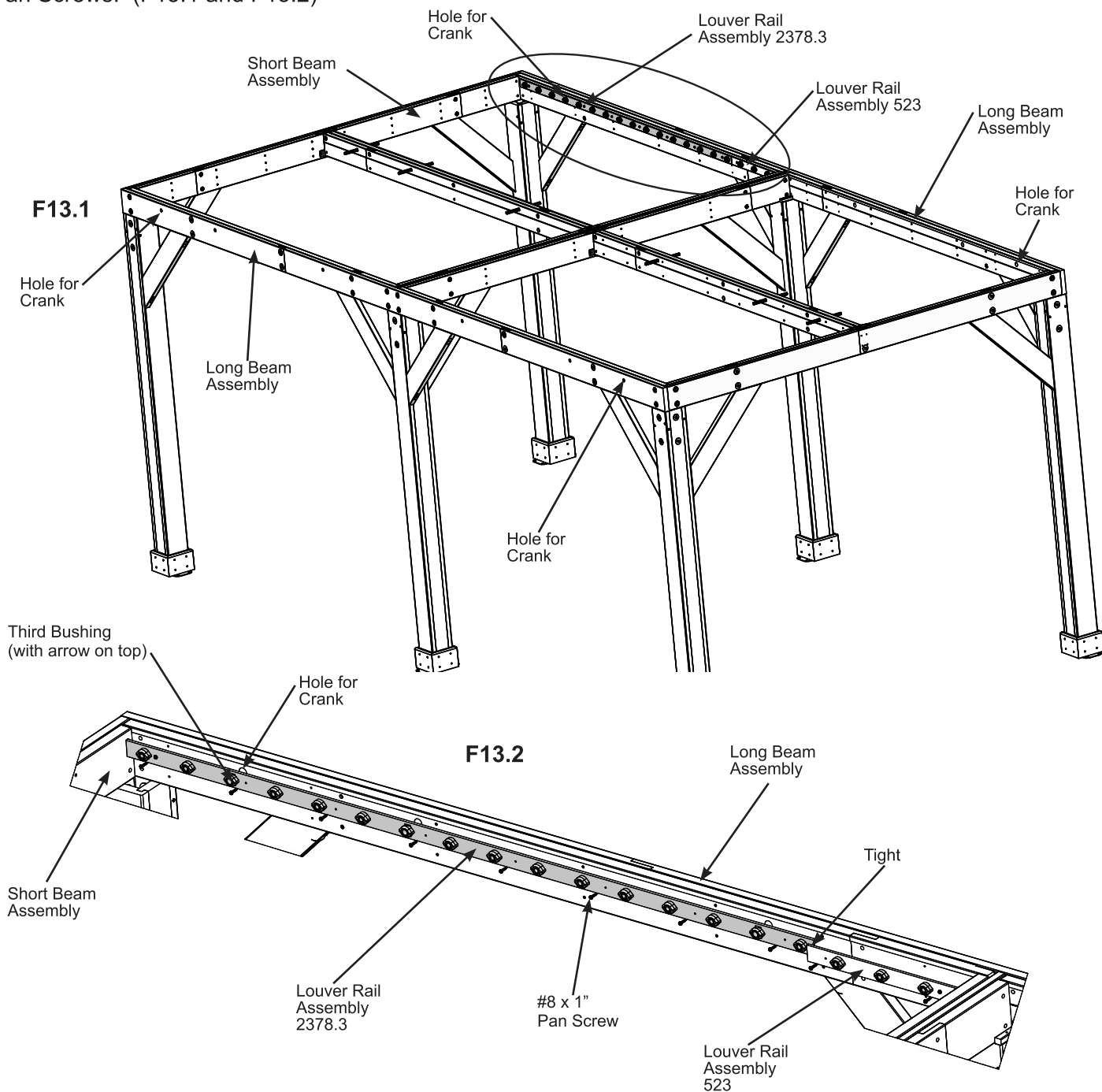
4 x #8 x 2-1/4" Wood Screw

Step 13: Attach Louvered Rails Part 1



A: On the inside of each end of both Long Beam Assemblies, in the groove, place one Louver Rail Assembly 2378.3. Make sure the rail is oriented so the third bushing (with arrow on top) is lined up with the hole for the Crank. Attach to Long Beam Assembly with eight #8 x 1" Pan Screws per Louver Rail Assembly. (F13.1 and F13.2)

B: Tight to each Louver Rail Assembly 2378.3 place one Louver Rail Assembly 523 then attach with two #8 x 1" Pan Screws. (F13.1 and F13.2)



Components

4 x Louver Rail Assembly 2378.3
4 x Louver Rail Assembly 523

Hardware

40 x #8 x 1" Pan Screw

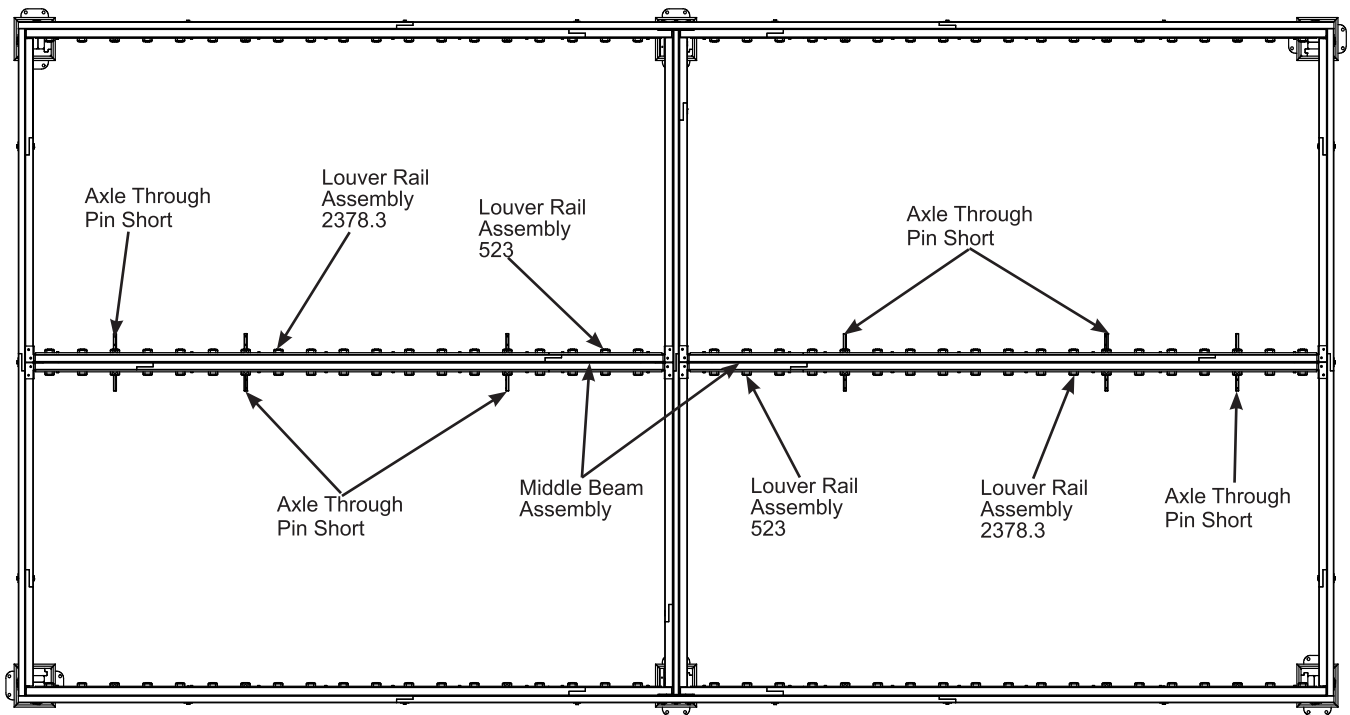
Step 13: Attach Louvered Rails Part 2



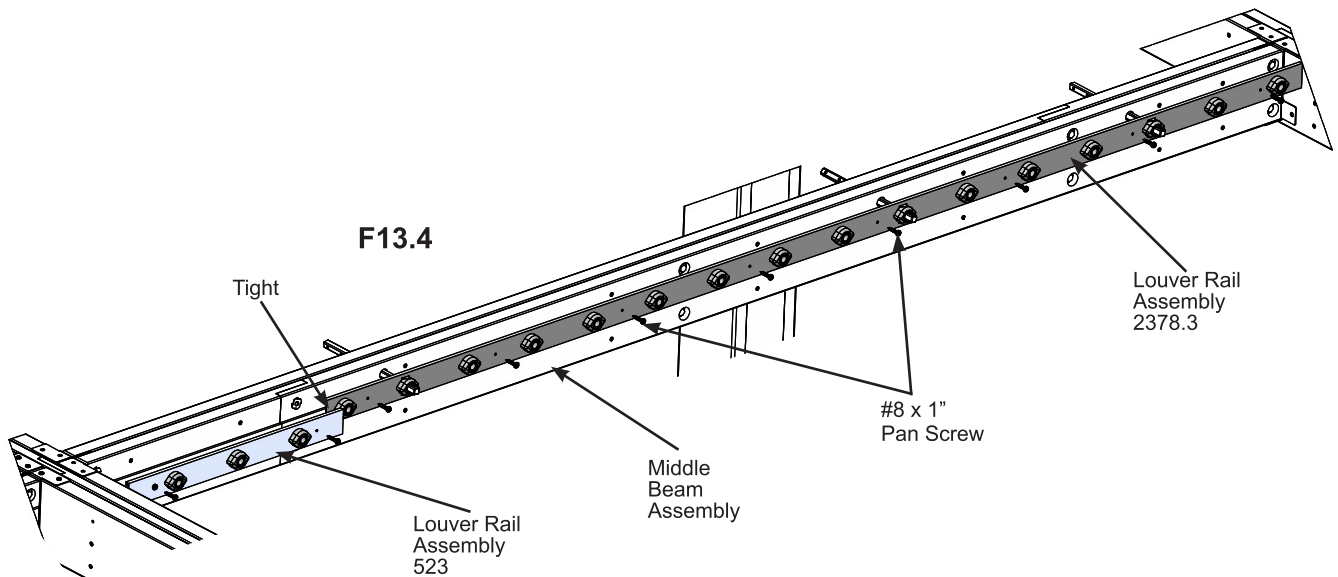
C: On each side of both Middle Beam Assemblies, in the groove, place one Louver Rail Assembly 2378.3. Make sure the rail is oriented so the three bushings (with arrow on top) are inserted over the three Axle Through Pin Shorts. Attach to Middle Beam Assemblies with eight #8 x 1" Pan Screws per Louver Rail Assembly. (F13.3 and F13.4)

B: Tight to each Louver Rail Assembly 2378.3 place one Louver Rail Assembly 523 then attach with two #8 x 1" Pan Screws. (F13.3 and F13.4)

F13.3



F13.4



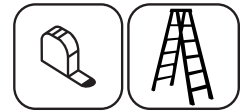
Components

- 4 x Louver Rail Assembly 2378.3
- 4 x Louver Rail Assembly 523

Hardware

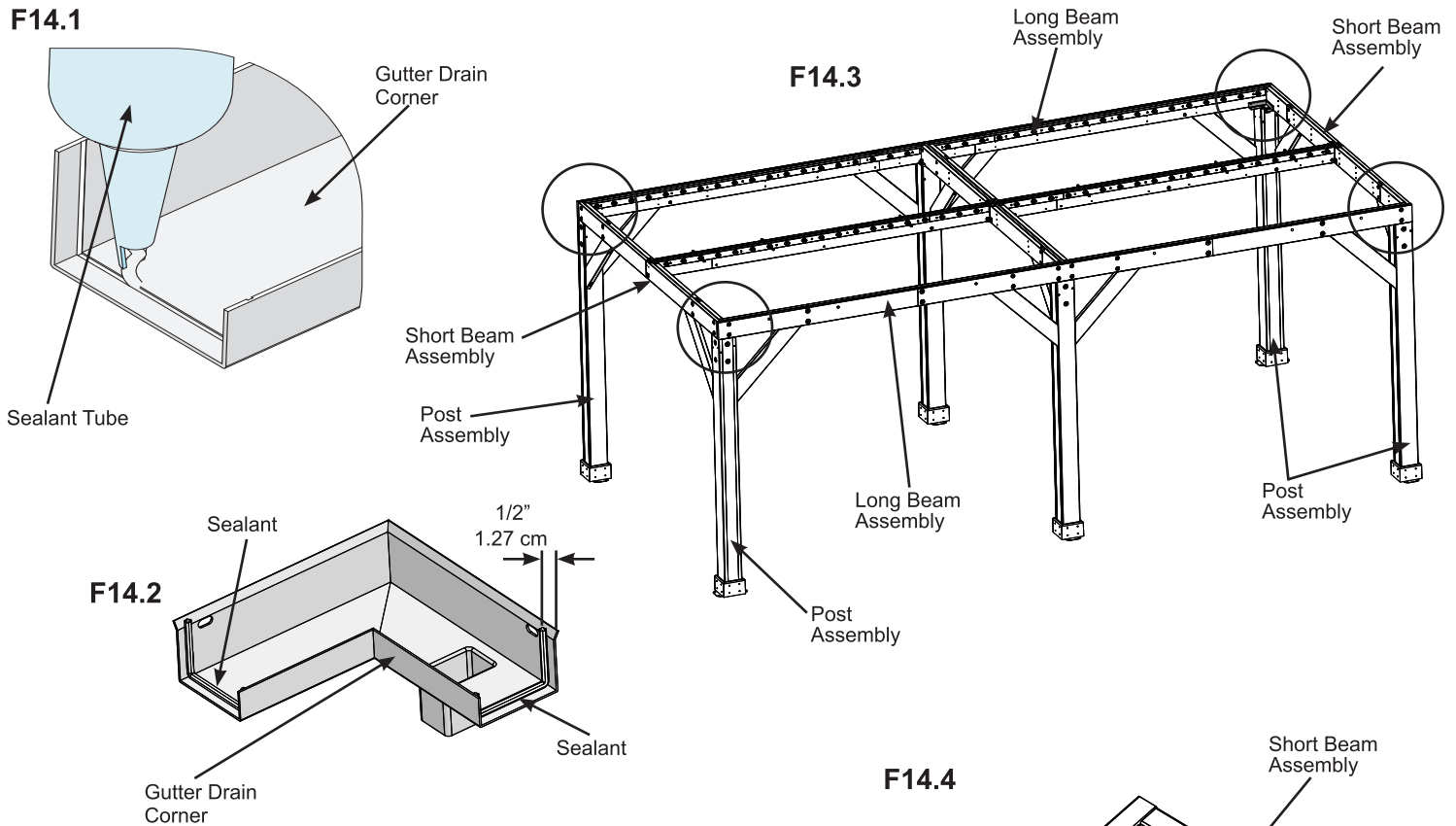
- 40 x #8 x 1" Pan Screw

Step 14: Attach Gutter Drain Corners



A: Measure approximately 1/2" (1.27 cm) in from both edges of each Gutter Drain Corner then apply a small bead of sealant, as shown in F14.1 and F14.2.

B: On each Post Assembly place one Gutter Drain Corner so it is tight to the Long and Short Beam Assemblies. Do not attach at this step. (F14.3 and F14.4)



Note: All surfaces to be clean, dry, dust and grease free before application with temperatures above 5°C (41°F), no warmer than 35°C (95°F).

- Remove cap and cut a small piece off the nozzle for a small bead.
- Apply sealant in small beads and smooth as required.
- Clean excess with a cloth or paper towel before it skins over.
- Always wear safety glasses and rubber gloves when using product.

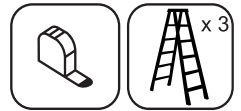
See page 6 for Warning and First Aid Information.

Components

4 x Gutter Drain Corner
Sealant

Step 15: Rain Gutter Assembly

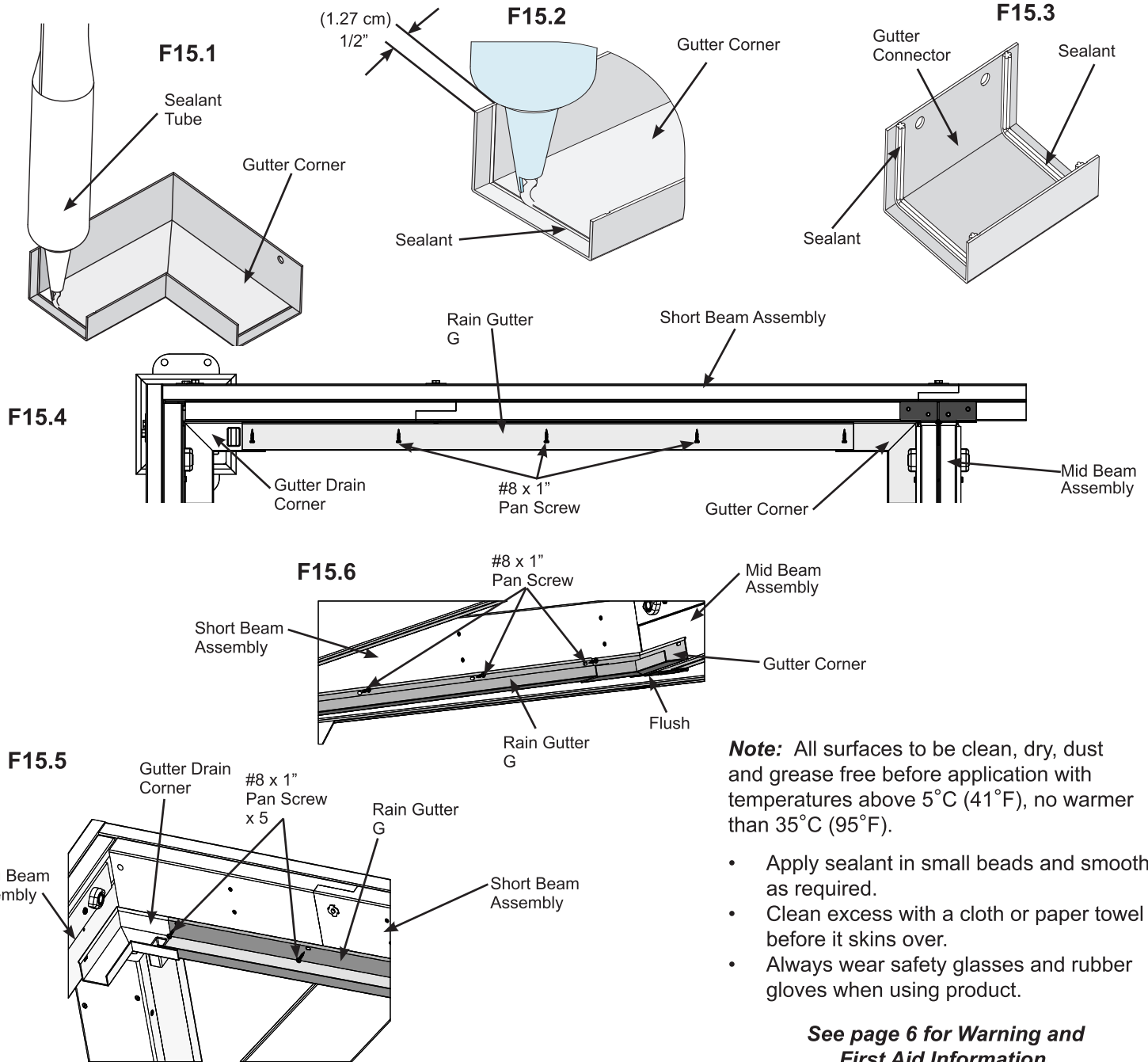
Part 1



A: Measure approximately 1/2" (12.7 mm) in from both edges of twelve Gutter Corners and eight Gutter Connectors then apply a small bead of sealant, as shown in F15.1, F15.2 and F15.3.

B: Place Gutter Corner tight to Short Beam Assembly and Mid Beam Assembly, flush to the bottom of Mid Beam Assembly. Have a helper hold it in place. (F15.4 and 15.6)

C: Slide one Rain Gutter G into Gutter Drain Corner and Gutter Corner along the Short Beam Assembly. Attach, Rain Gutter to Short Beam Assembly with five #8 x 1" Pan Screws. (F15.4, F15.5 and 15.6)



Components

12 x Gutter Corner
8 x Gutter Connector
4 x Rain Gutter G
Sealant

Hardware

20 x #8 x 1" Pan Screw

Step 15: Rain Gutter Assembly

Part 2

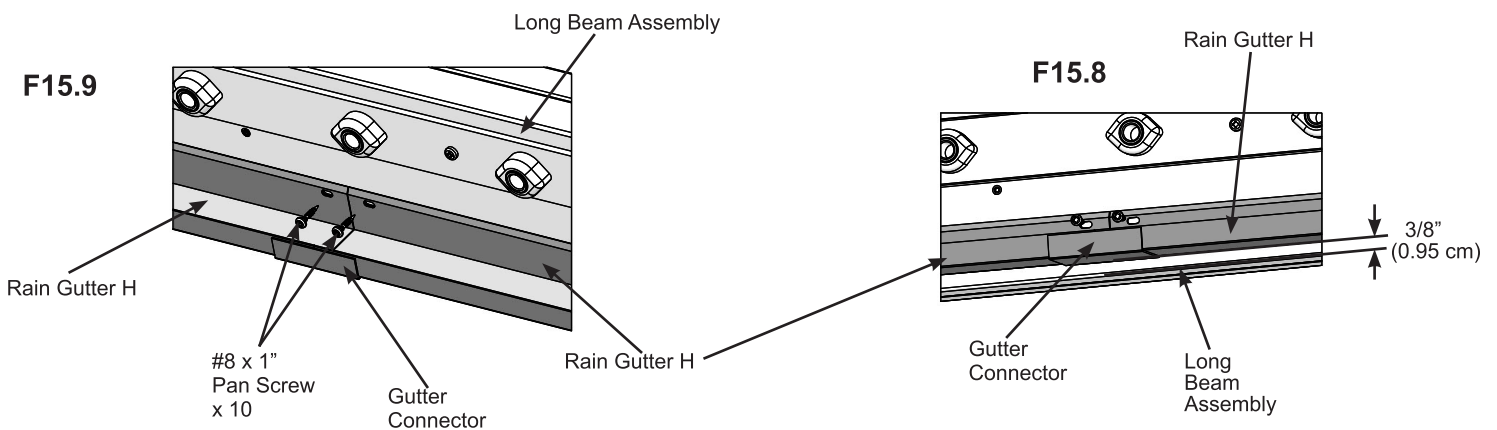
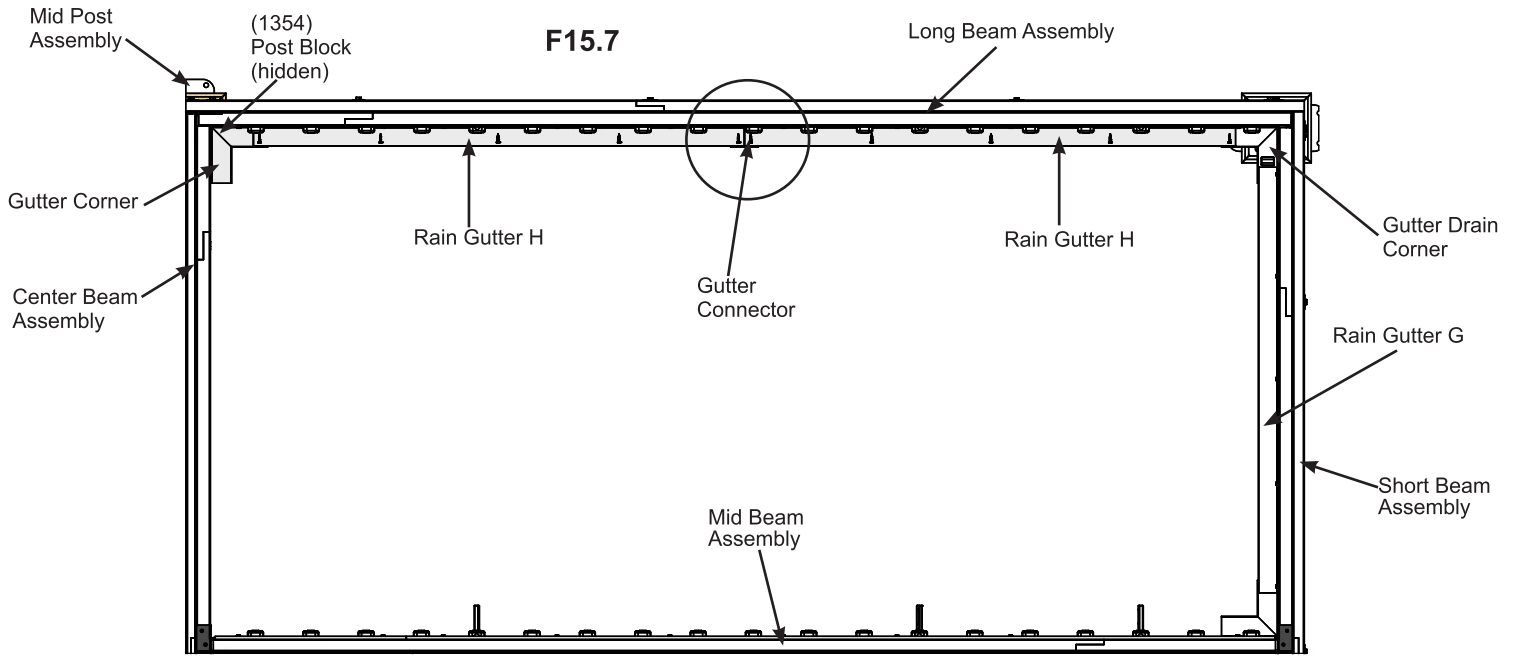


D: Place Gutter Corner on one (1354) Post Block tight to the Long Beam and Center Beam Assemblies. (F15.7)

E: Slide one Rain Gutter H into Gutter Corner along the Long Beam Assembly then place one Gutter Connector at the end of Rain Gutter H. Gutter Connector to sit 3/8" (0.95 cm) up from bottom of beam. (F15.7, F15.8 and F15.9)

F: Slide one Rain Gutter H into Gutter Drain Corner along the Long Beam Assembly and into Gutter Connector. (F15.7, F15.8 and F15.9).

G: Attach, Rain Gutters to Long Beam Assembly with (10) #8 x 1" Pan Screws. (F15.7, F15.8 and F15.9)



Components

8 x Rain Gutter H

Hardware

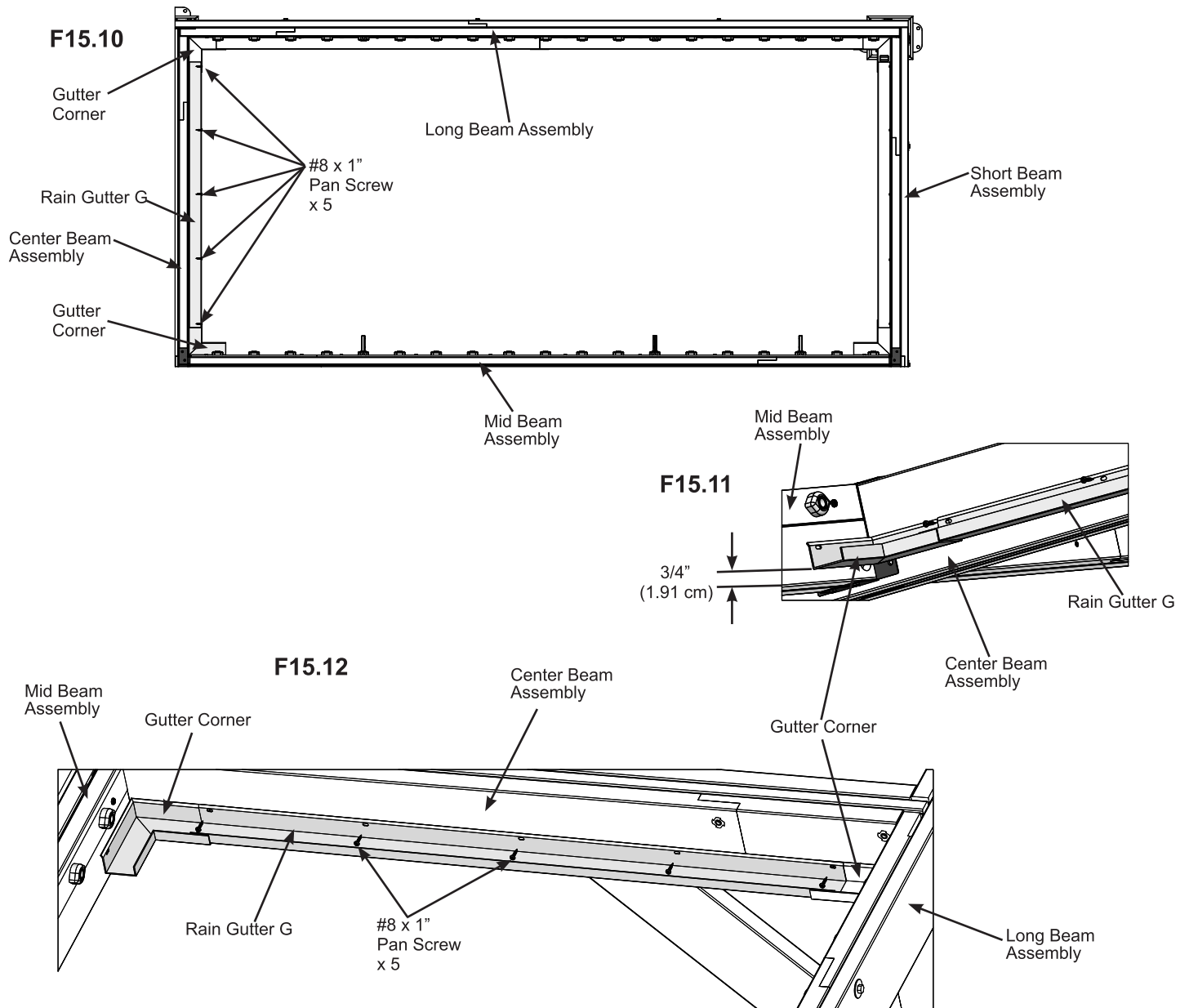
40 x #8 x 1" Pan Screw

Step 15: Rain Gutter Assembly Part 3



H: Place Gutter Corner tight to Center Beam Assembly and Mid Beam Assembly, 3/4" (1.91 cm) up from the bottom of Mid Beam Assembly. Have one helper hold it in place. (F15.10 and F15.11)

I: Slide Rain Gutter G into each Gutter Corner along the Center Beam Assembly. Attach, Rain Gutters to Center Beam Assembly with five #8 x 1" Pan Screws. (F15.10 and F15.12)



Components

4 x Rain Gutter G

Hardware

20 x #8 x 1" Pan Screw

Step 15: Rain Gutter Assembly

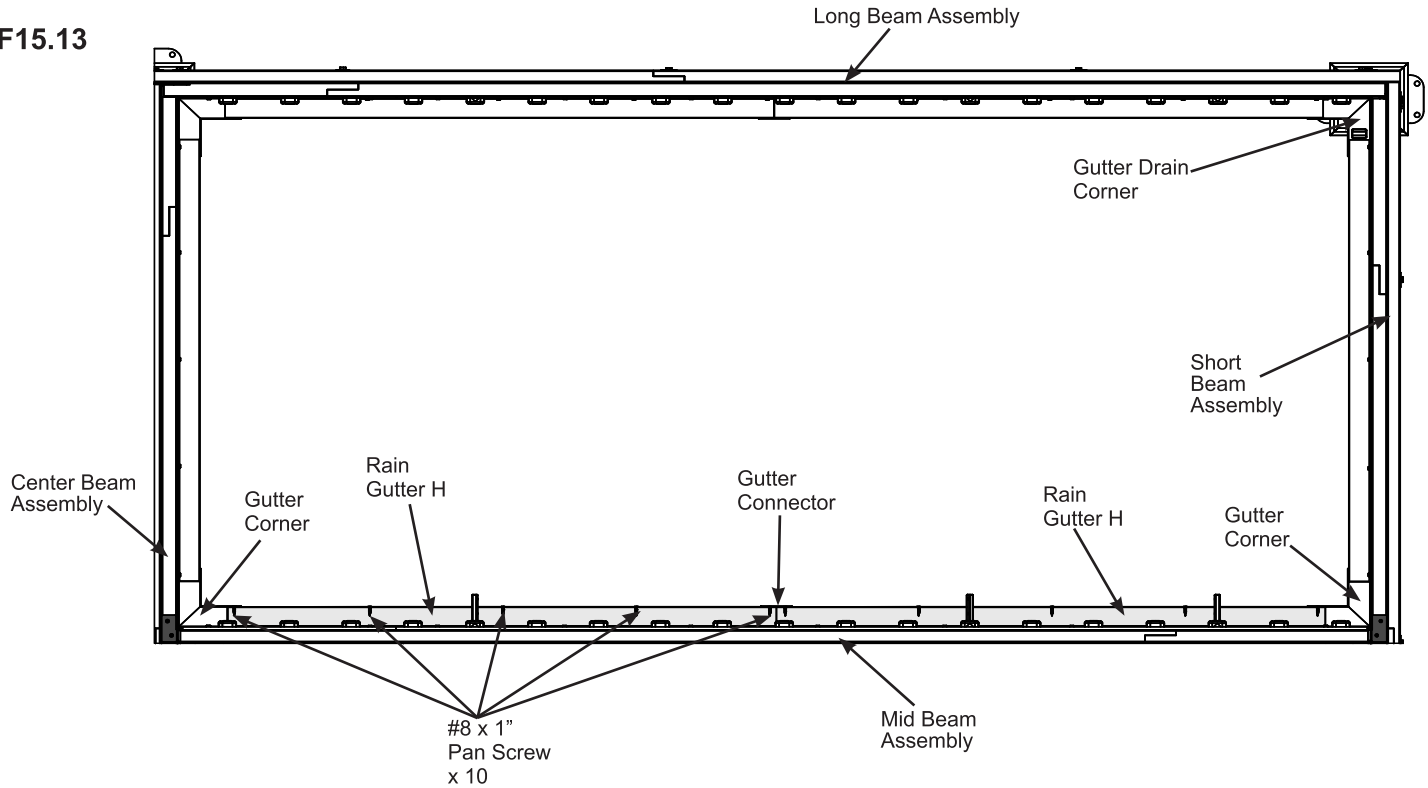
Part 4



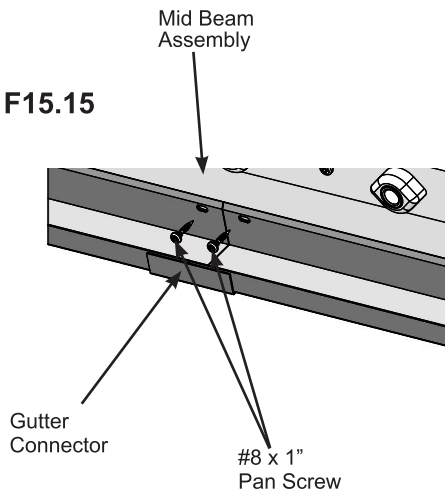
J: Slide one Rain Gutter H into each Gutter Corner along the Mid Beam Assembly with a Gutter Connector in the middle as done for the Long Beam Assembly. Gutter Connector to sit 3/8" (0.95 cm) up from the bottom of the Mid Beam Assembly. (F15.13 and F15.14)

K: Attach, Rain Gutter to Mid Beam Assembly with (10) #8 x 1" Pan Screws. (F15.13 and F15.15)

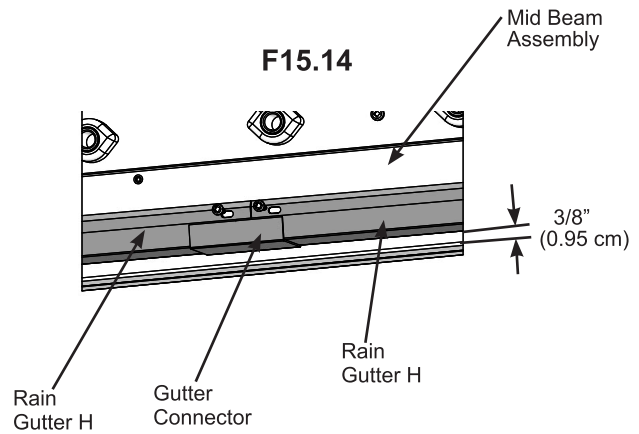
F15.13



F15.15



F15.14



Components

8 x Rain Gutter H

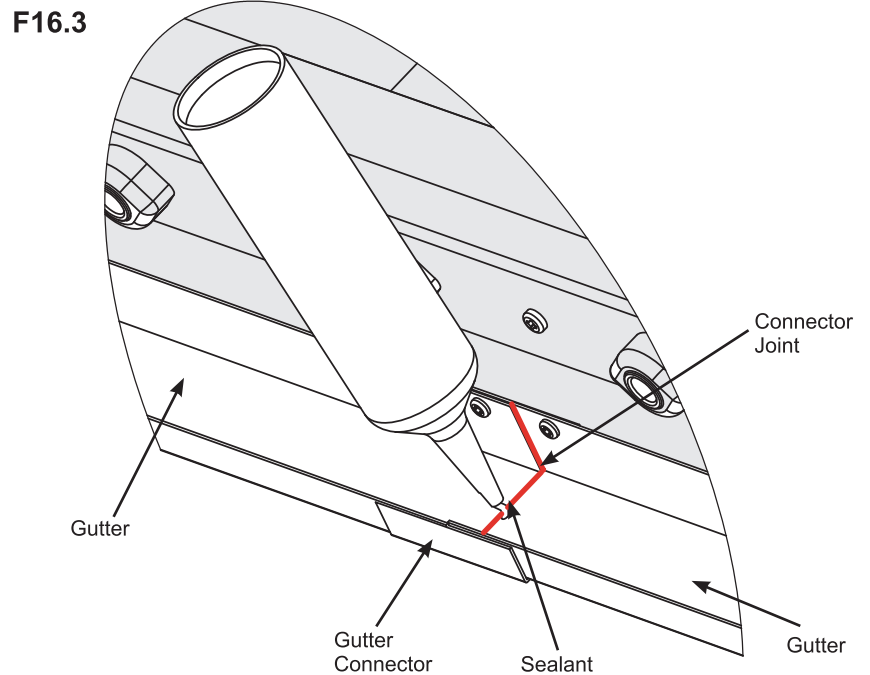
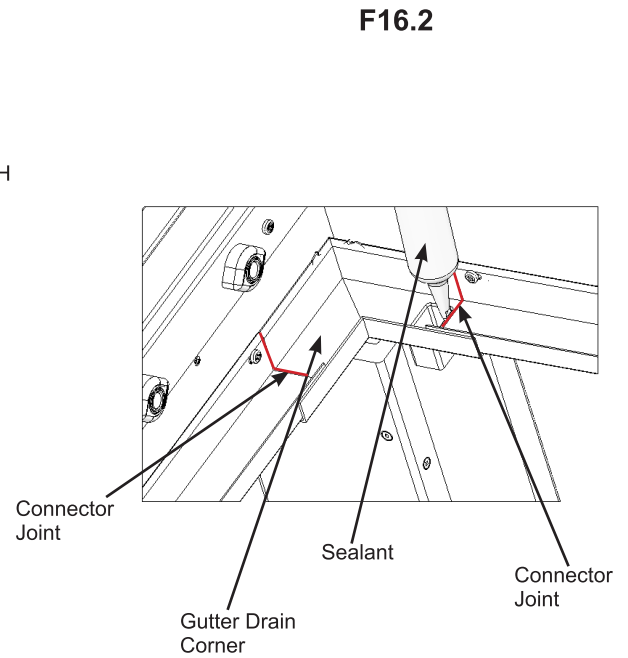
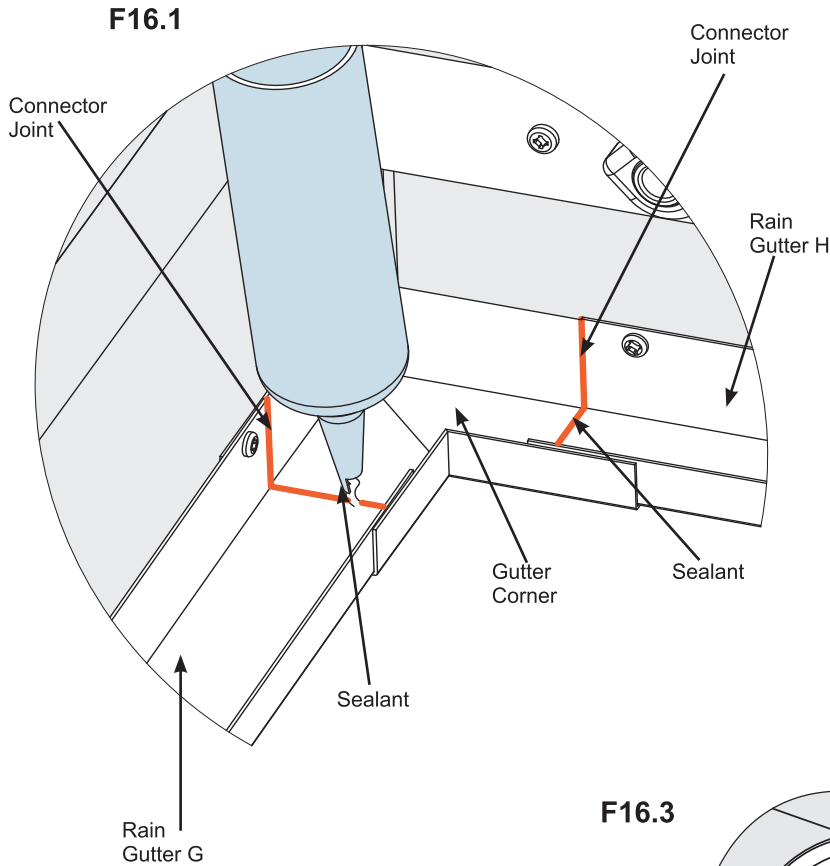
Hardware

40 x #8 x 1" Pan Screw

Step 16: Apply Sealant Part 1



A: At each end of Rain Gutter G and Rain Gutter H apply a small, evenly distributed bead of sealant over the connector joints. Smooth sealant into the joint so it forms a continuous, water-tight seal. (F16.1, F16.2 and F16.3)



Note: All surfaces to be clean, dry, dust and grease free before application with temperatures above 5°C (41°F), no warmer than 35°C (95°F).

- Apply sealant in small beads and smooth as required.
- Clean excess with a cloth or paper towel before it skins over.
- Always wear safety glasses and rubber gloves when using product.

See page 6 for Warning and First Aid Information.

Components

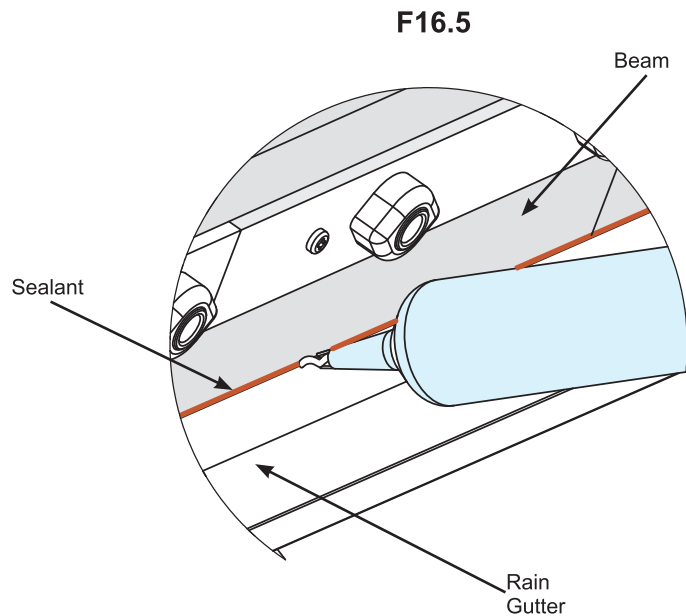
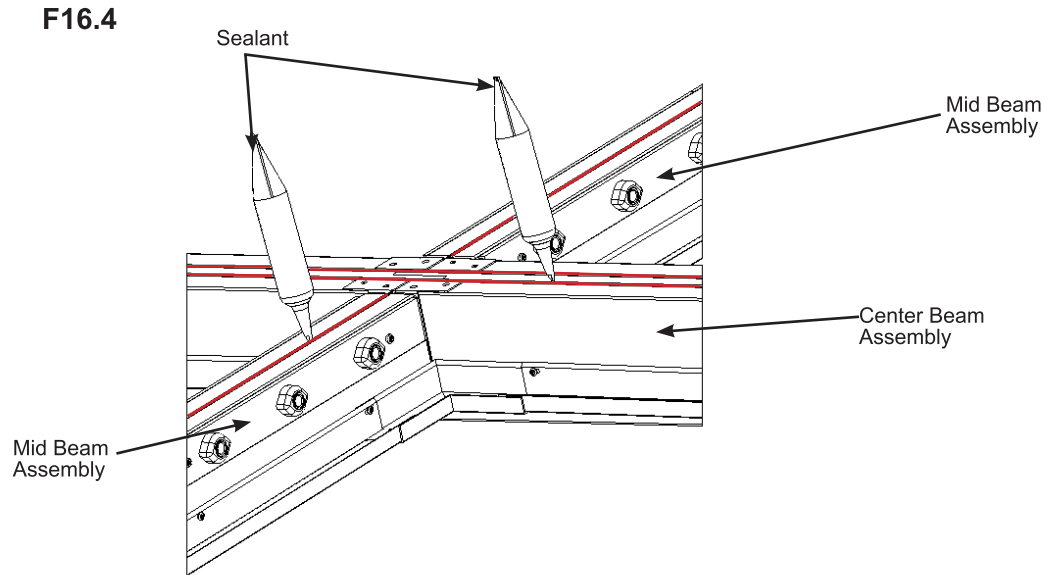
Sealant

Step 16: Apply Sealant Part 2



B: In the seams of the Mid Beam Assembly and Center Beam Assembly apply a small evenly distributed bead of sealant and smooth out so it forms a continuous, water-tight seal. (F16.4)

C: Along the tops of the Rain Gutters on both Short Beam Assemblies, both Long Beam Assemblies and each side of the Middle Beam and Center Beam, including the tops of the Gutter Corners and Gutter Drain Corners, apply a small evenly distributed bead of sealant, smoothing the sealant so it gets into the joints. (F16.5)



Note: All surfaces to be clean, dry, dust and grease free before application with temperatures above 5°C (41°F), no warmer than 35°C (95°F).

- Apply sealant in small beads and smooth as required.
- Clean excess with a cloth or paper towel before it skins over.
- Always wear safety glasses and rubber gloves when using product.

See page 6 for Warning and First Aid Information.

Components

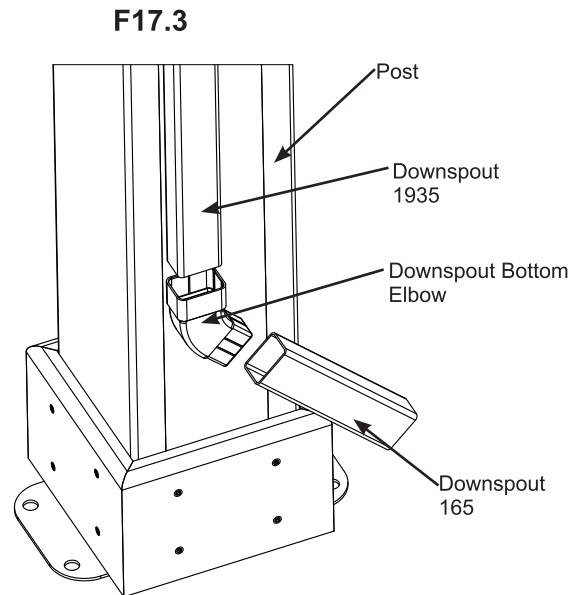
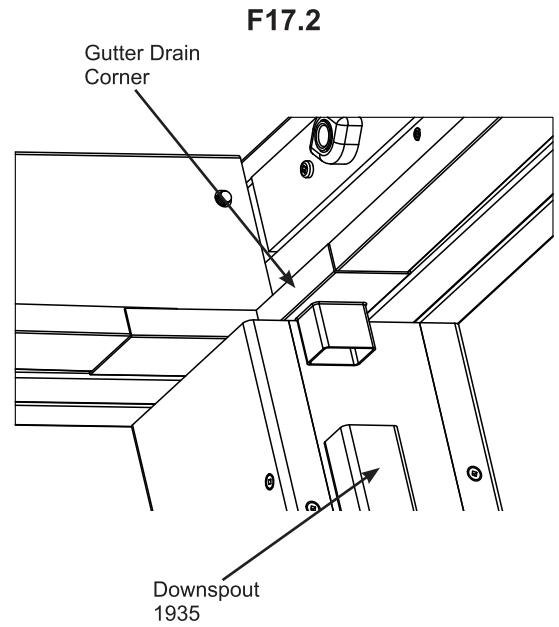
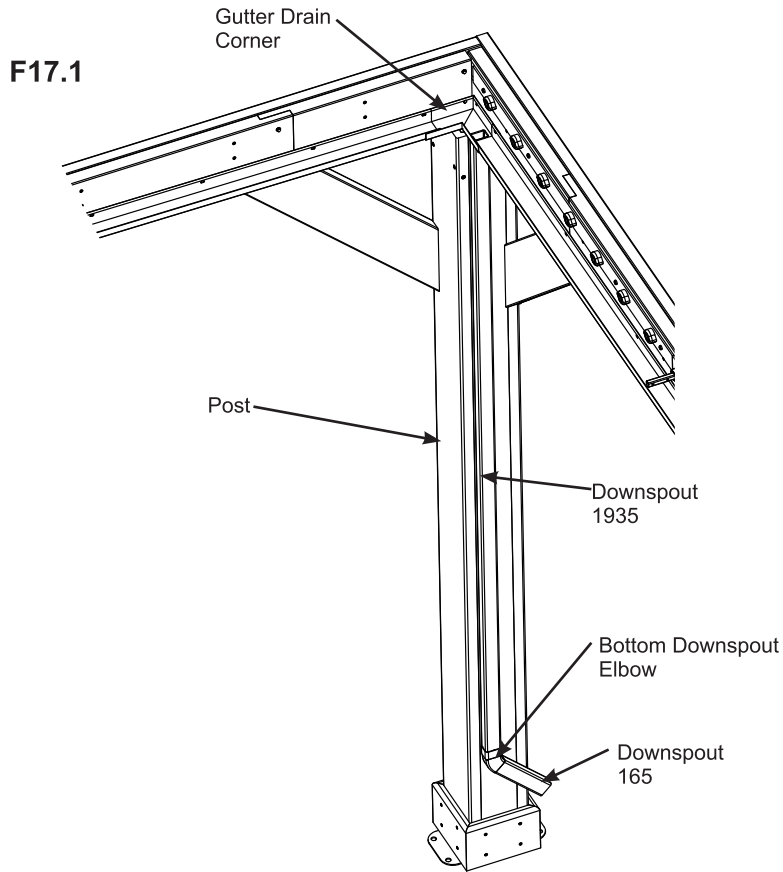
Sealant

Step 17: Attach Downspout Part 1



A: On the post with Gutter Drain Corner slide Downspout 1935 onto the Gutter Drain Corner. (F17.1 and F17.2)

B: Attach the Downspout Bottom Elbow to the bottom of Downspout 1935 then attach Downspout 165 to Downspout Bottom Elbow. (F17.1 and F17.3)



Components

- 4 x Downspout 1935
- 4 x Downspout Bottom Elbow
- 4 x Downspout 165

Step 17: Attach Downspout

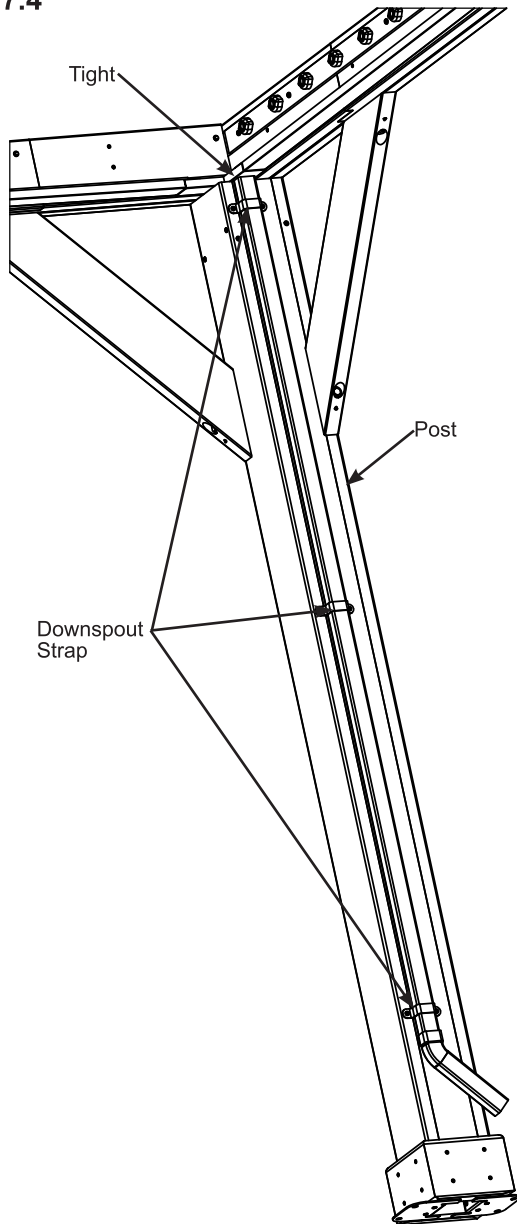
Part 2



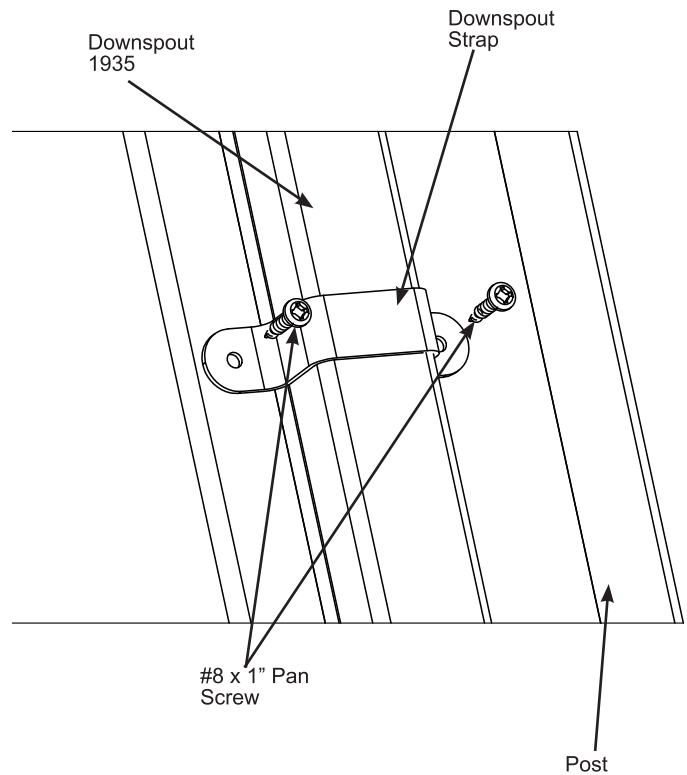
C: Make sure Downspout 1935 is tight to bottom of Gutter Drain Corner. Attach Downspout Straps to the top, middle and bottom of Downspout 1935 with two #8 x 1 Pan Screws per strap. (F17.4 and F17.5)

D: Repeats Steps A - C on the other three Gutter Corner Drains.

F17.4



F17.5

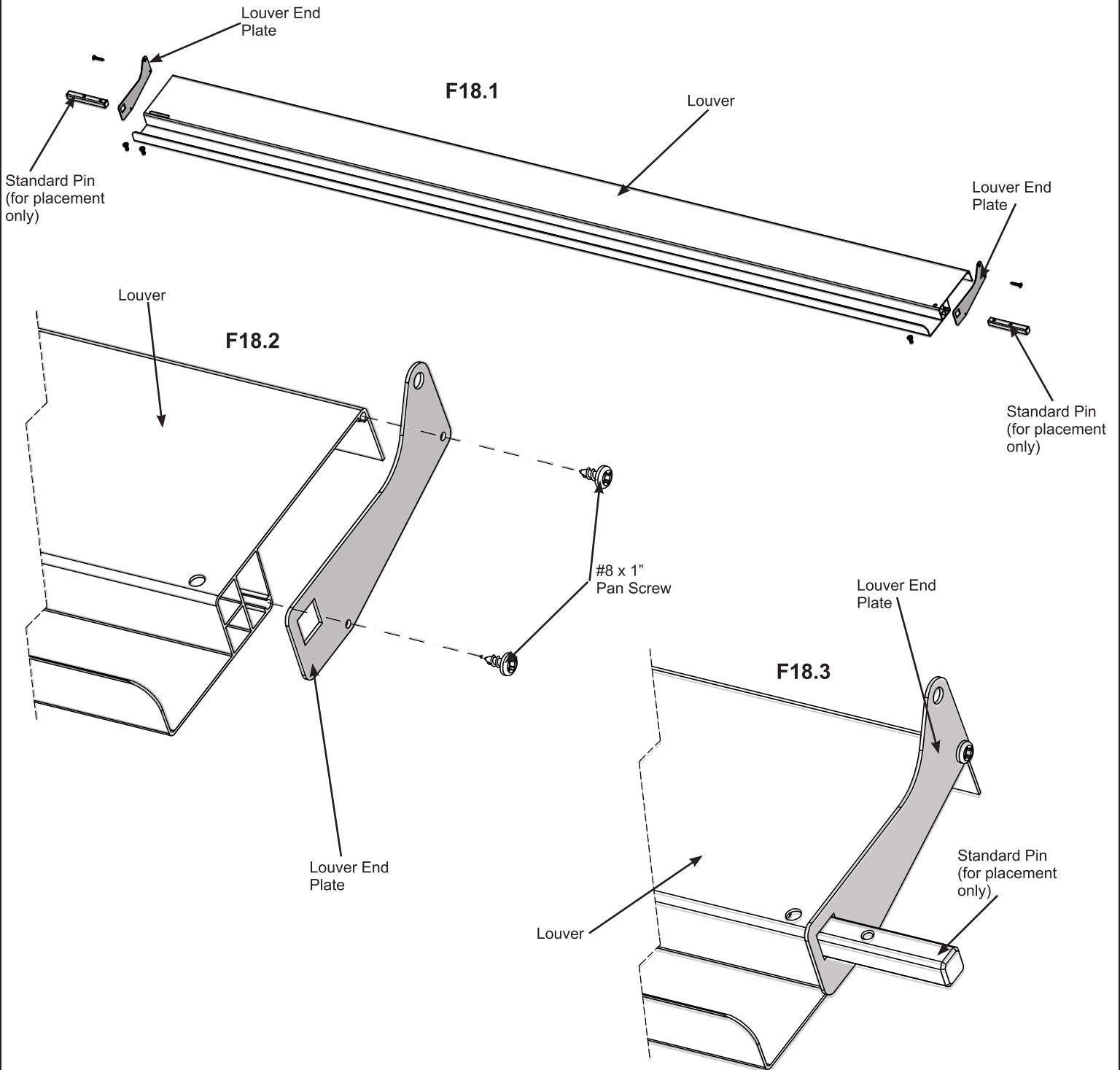


Components
12 x Downspout Strap

Hardware
24 x #8 x 1" Pan Screw

Step 18: Louver Assemblies Part 1

A: On 12 Louvers attach one Louver End Plate to each end with two #8 x 1" Pan Screws per plate. Use a Standard Pin to help line up proper placement. Remove Standard Pin when Louver End Plate is secure. (F18.1, F18.2 and F18.3)



Components

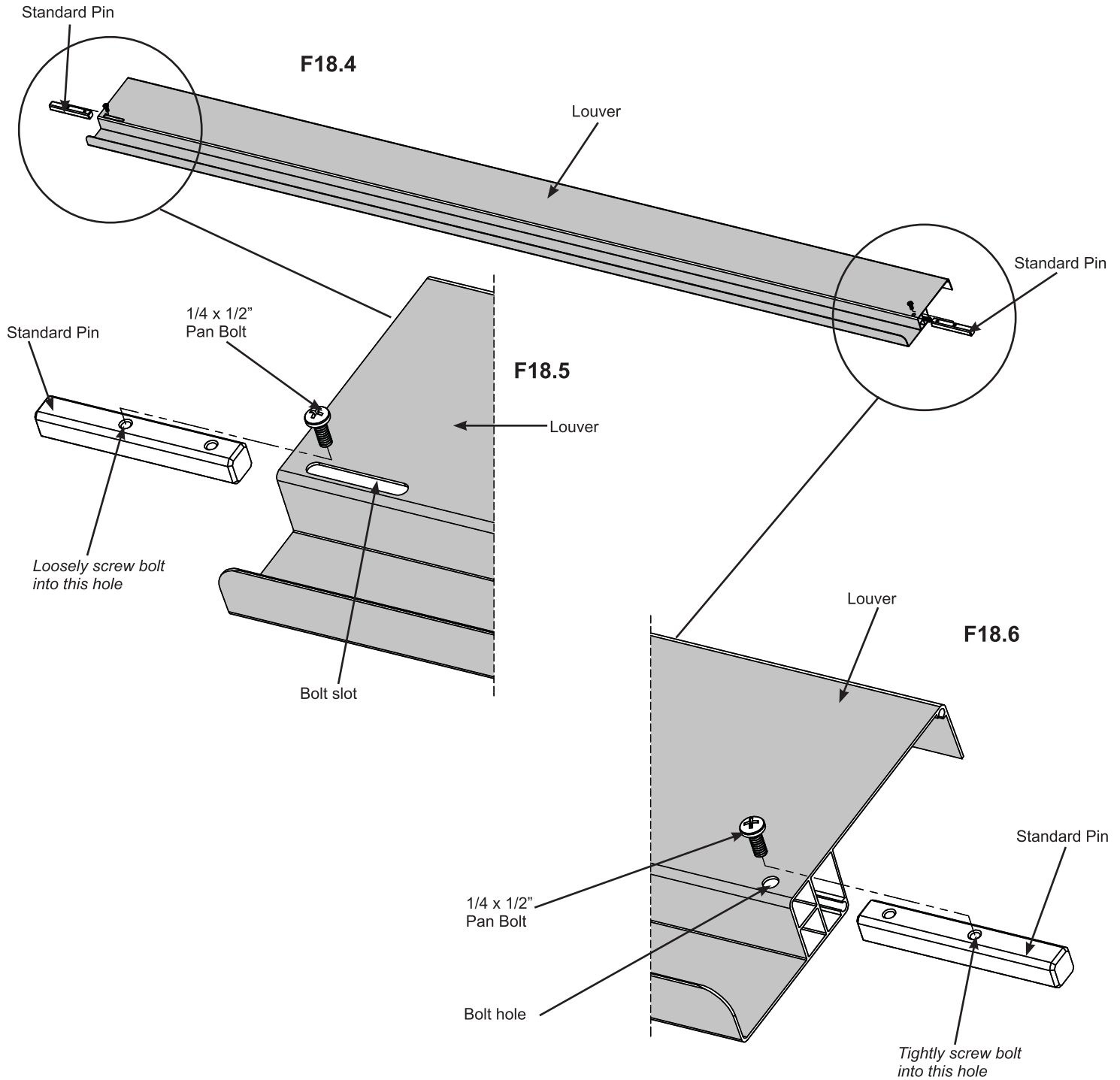
12 x Louver
24 x Louver End Plate

Hardware

48 x #8 x 1" Pan Screw

Step 18: Louver Assemblies Part 2

B: On the remaining 64 Louvers place one Standard Pin in the square slot at each end. Push pins all the way in to the second bolt hole. On the side of the Louver with the single bolt hole, tightly attach to pin with one 1/4 x 1/2" Pan Bolt. On the side of the Louver with the bolt slot, loosely attach to pin with one 1/4 x 1/2" Pan Bolt. Notice which end of Standard Pin is inserted in Louvers. (F18.4, F18.5 and F18.6)



Components

64 x Louver
128 x Standard Pin

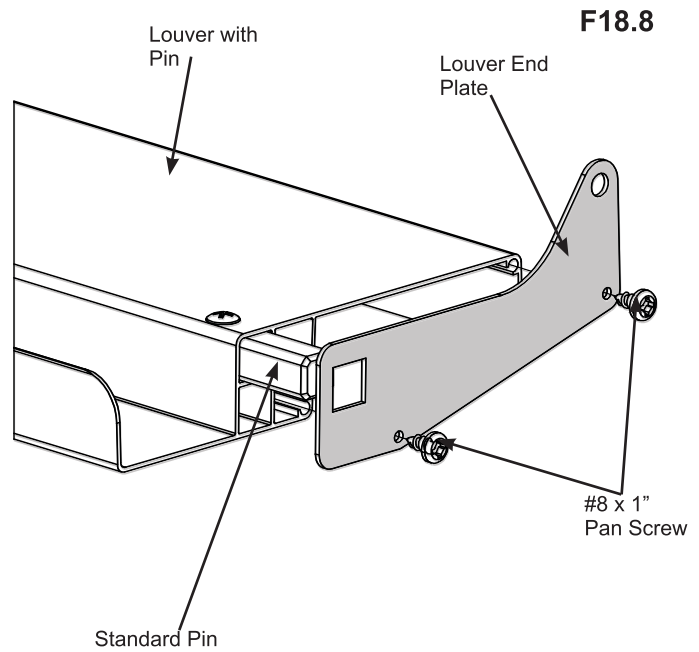
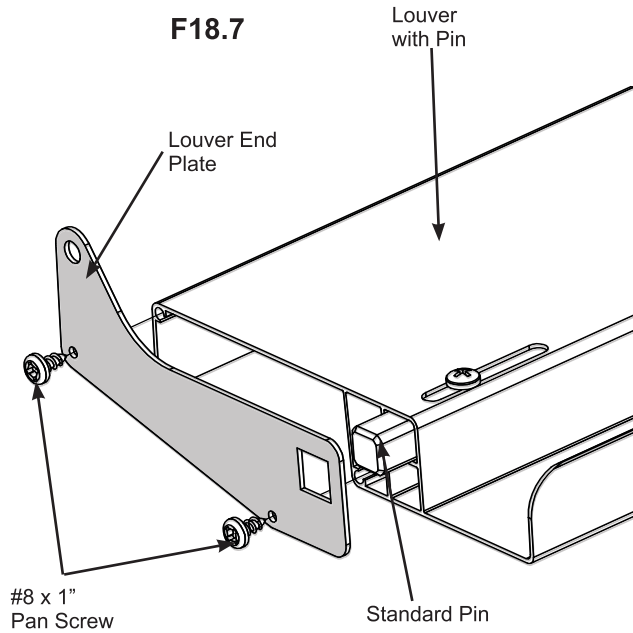
Hardware

128 x 1/4 x 1/2" Pan Bolt

Step 18: Louver Assemblies

Part 3

C: Place one Louver End Plate at each end of the Louvers, fitting over the pins then attach with two #8 x 1" Pan Screws per plate. (F18.7 and F18.8)



Components

128 x Louver End Plate

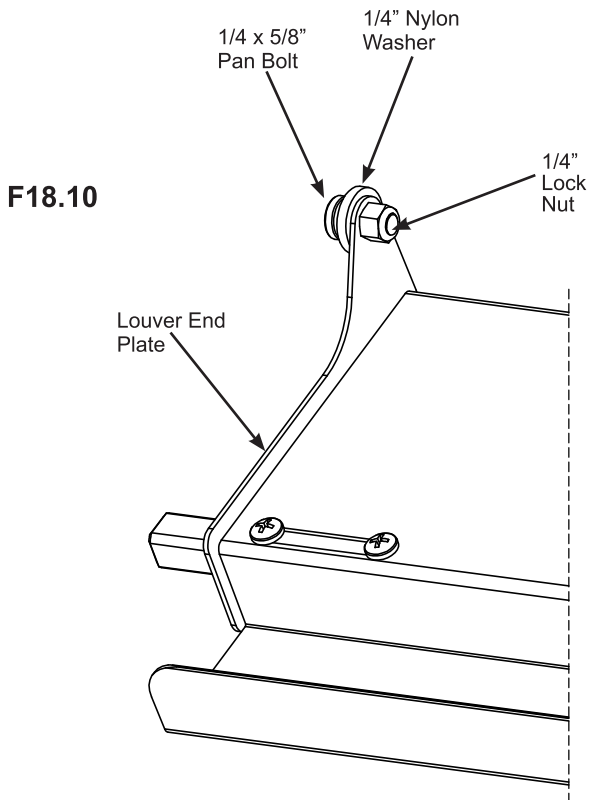
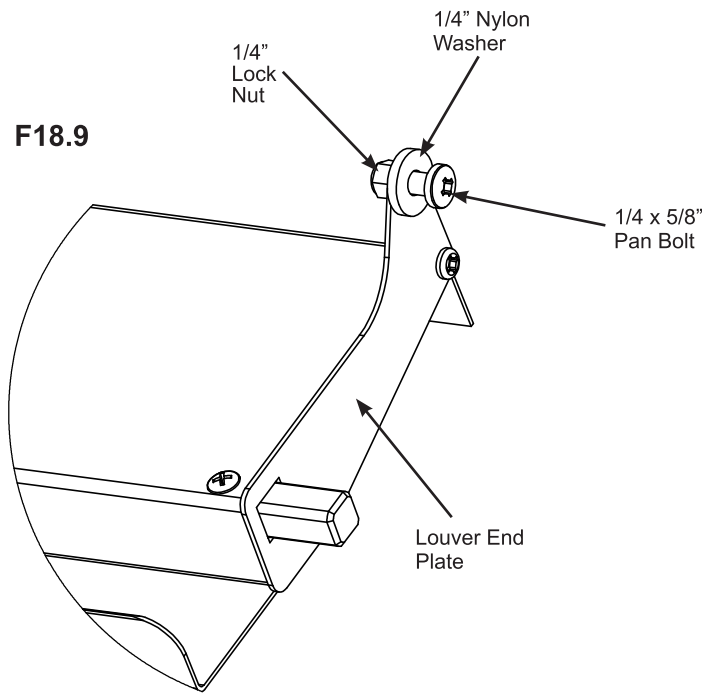
Hardware

256 x #8 x 1" Pan Screw

Step 18: Louver Assemblies

Part 4

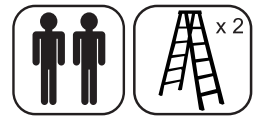
D: On each Louver End Plate loosely attach one 1/4 x 5/8" Pan Bolt (with nylon washer and 1/4" lock nut) per plate. (F18.9 and F18.10)



Hardware

152 x 1/4 x 5/8" Pan Bolt
(1/4" nylon washer, 1/4" lock nut)

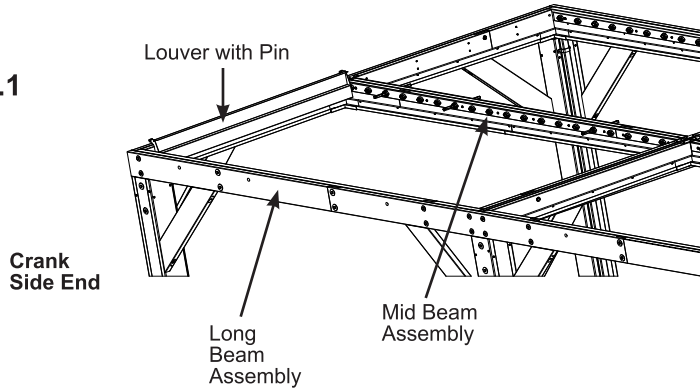
Step 19: Attach Louver Assemblies Part 1



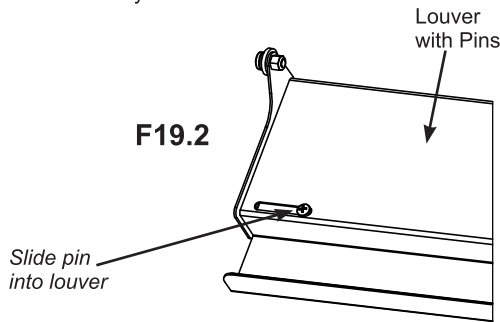
A: Starting at the Crank End Side, with one Louver with pins, bolt at the top. Move the pin in the bolt slot end all the way into the Louver. Insert fully tightened pin at bolt hole end into first bushing on the Long Beam Assembly. (F19.1, F19.2 and F19.3)

B: Slide the pin on the bolt slot end out of the Louver and into the first bushing on the Mid Beam Assembly and tighten bolt. Attach one 1/4 x 1/2" Pan Bolt into Standard Pin through bolt slot. Both bolts should be tight. (F19.1, F19.4 and F19.5)

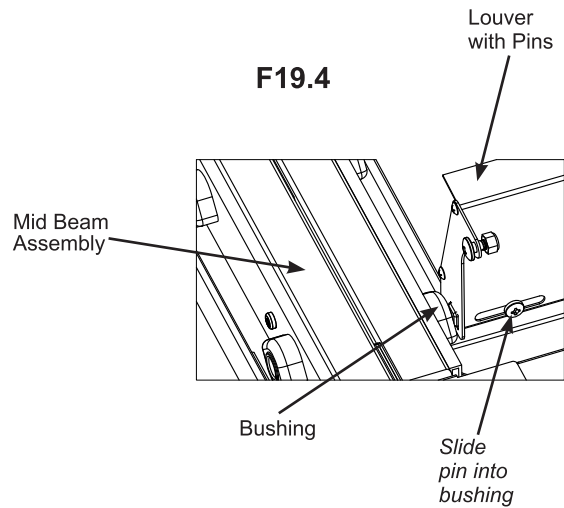
F19.1



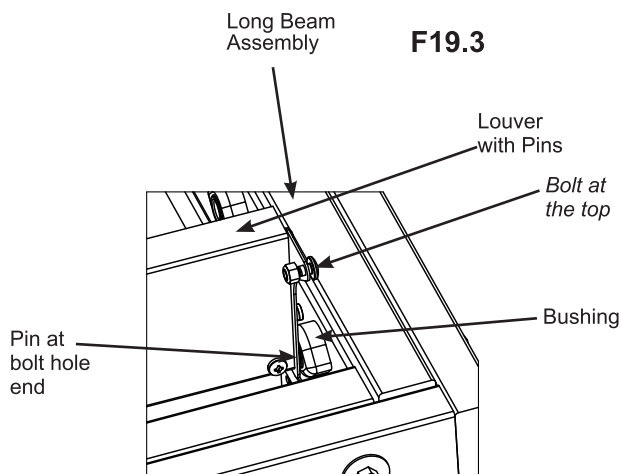
F19.2



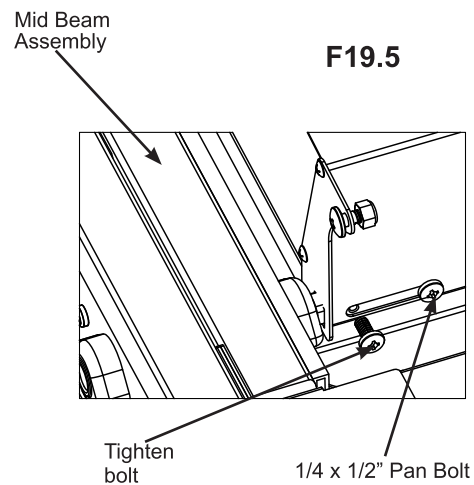
F19.4



F19.3



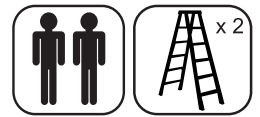
F19.5



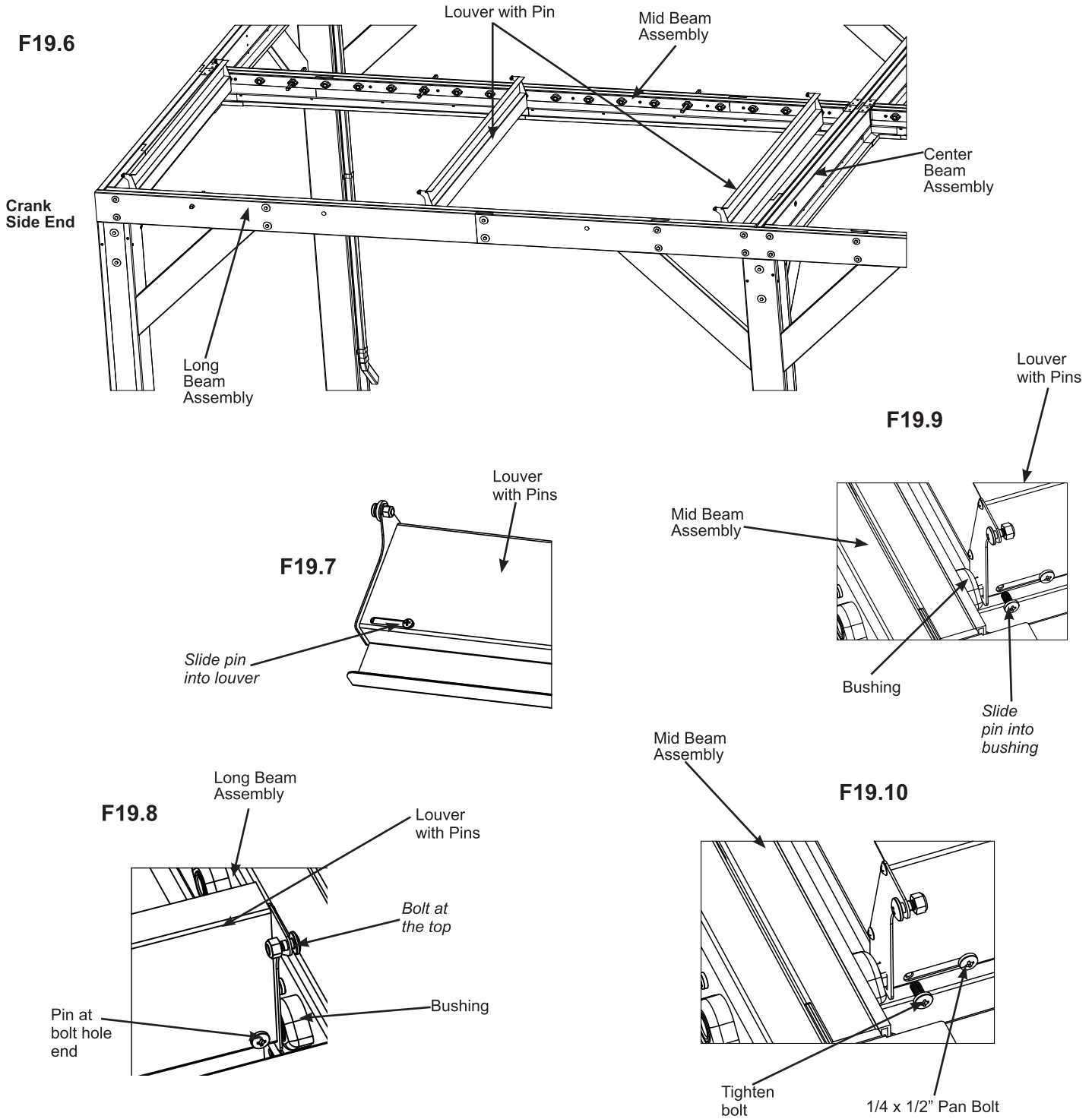
Hardware

4 x 1/4 x 1/2" Pan Bolt

Step 19: Attach Louver Assemblies Part 2



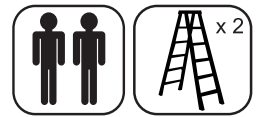
C: Repeat Steps A - B to install two Louvers with pins in the middle and last bushing (next to the Center Beam Assembly) (F19.6, F19.7, F19.8, F19.9 and F19.10)



Hardware

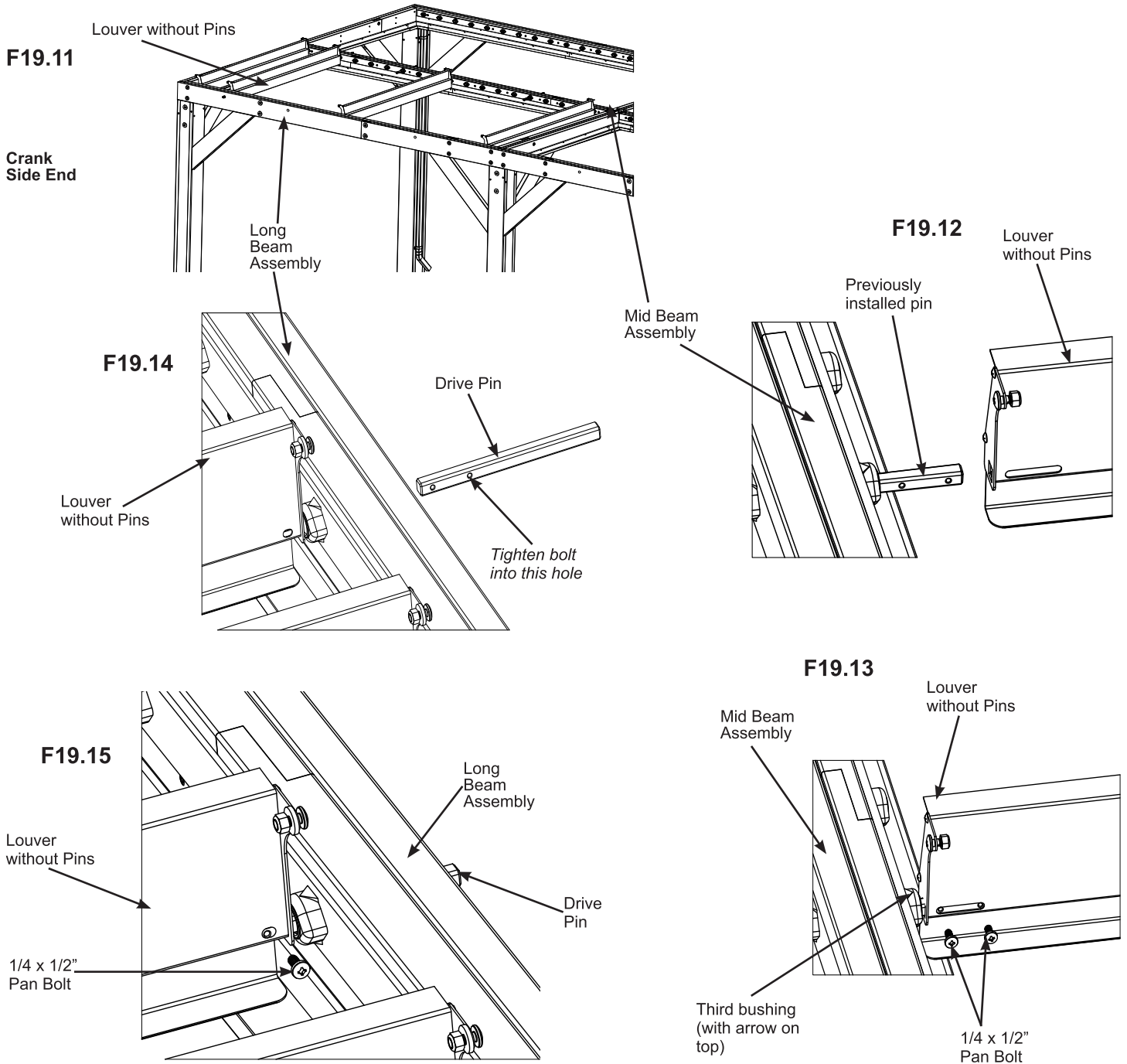
8 x 1/4 x 1/2" Pan Bolt

Step 19: Attach Louver Assemblies Part 3



D: At the third bushing place one Louver without pins so the end with the bolt slot fits over the pin previously installed on the Mid Beam Assembly. Attach with two 1/4 x 1/2" Pan Bolts. (F19.11, F19.12 and F19.13)

E: Through the outside of the Long Beam Assembly insert one Drive Pin through the bushing with the arrow on top and into the Louver without pins. Attach with one 1/4 x 1/2" Pan Bolt into second hole of Drive Pin. (F19.11, F19.14 and F19.15)



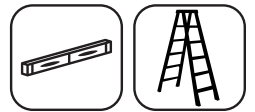
Components

4 x Drive Pin

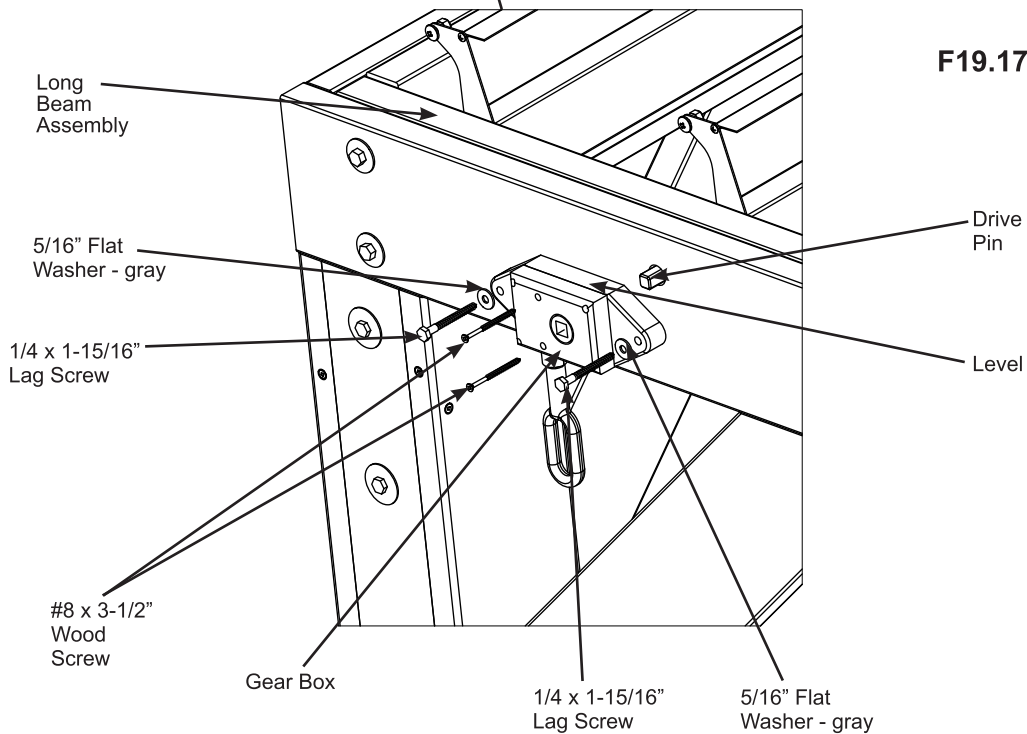
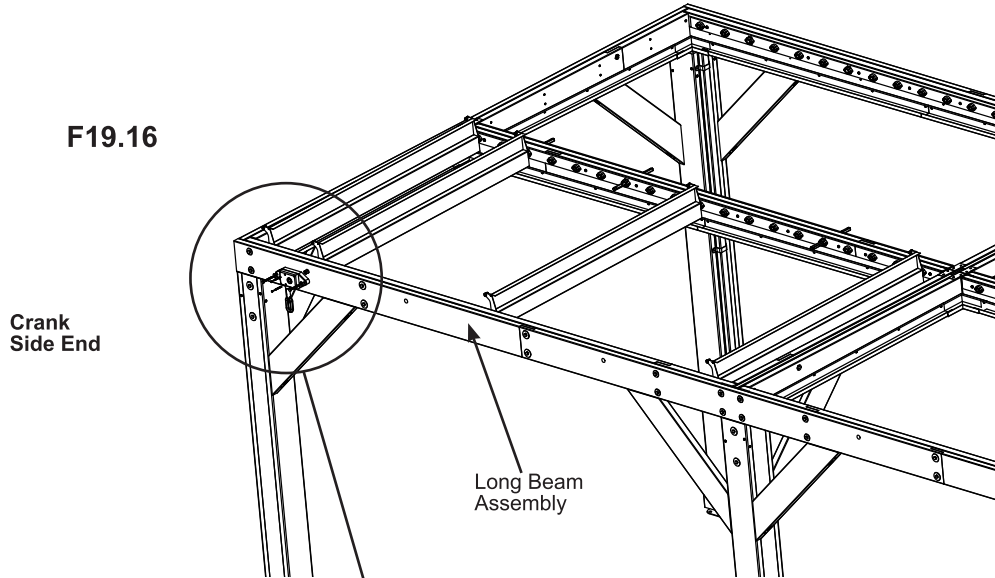
Hardware

12 x 1/4 x 1/2" Pan Bolt

Step 19: Attach Louver Assemblies Part 4



E: Place one Gear Box over the Drive Pin, make sure it is level then attach to Long Beam Assembly with two 1/4 x 1-15/16" Lag Screws (with 5/16" flat washer - gray) and two #8 x 3-1/2" Wood Screws. (F19.16 and F19.17)



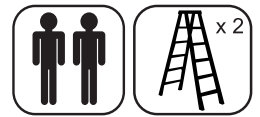
Components

4 x Gear Box

Hardware

8 x 1/4 x 1-15/16" Lag Screw (5/16" flat washer - gray)
8 x #8 x 3-1/2" Wood Screw

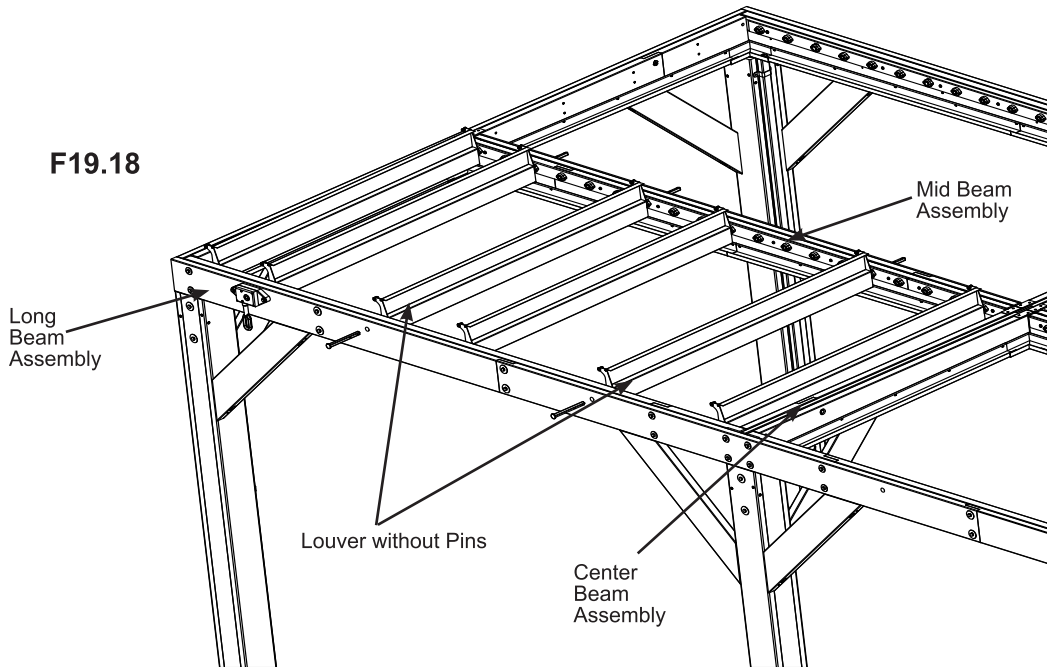
Step 19: Attach Louver Assemblies Part 5



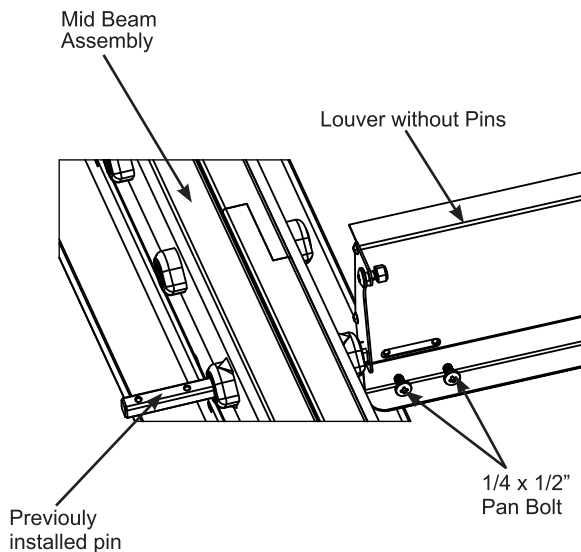
F: Place two Louvers without pins so the end with the bolt slot fits over the pins previously installed on the Mid Beam Assembly. Attach with two 1/4 x 1/2" Pan Bolts. (F19.18 and F19.19)

G: Through the outside of the Long Beam Assembly insert one Long Pin, per louver, through the bushing and into the Louver without pins. Attach with one 1/4 x 1/2" Pan Bolt. (F19.18 and F19.20)

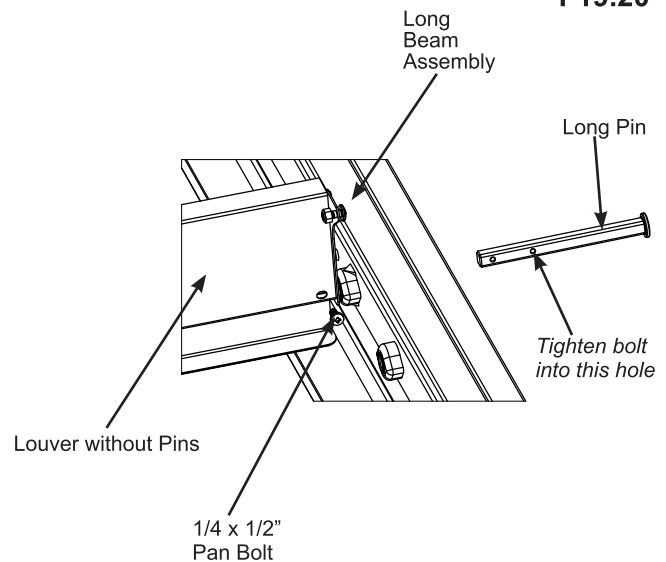
F19.18



F19.19



F19.20



Components

8 x Long Pin

Hardware

24 x 1/4 x 1/2" Pan Bolt

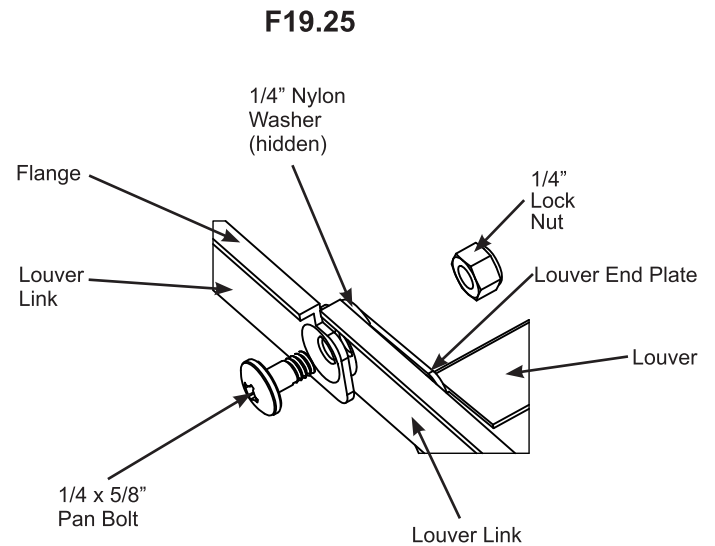
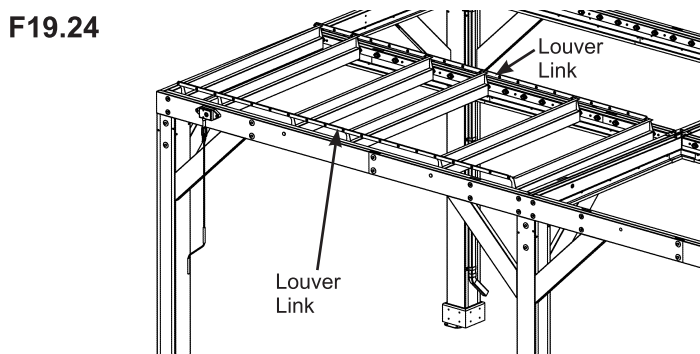
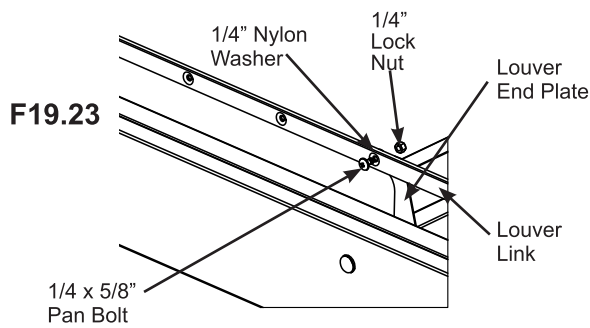
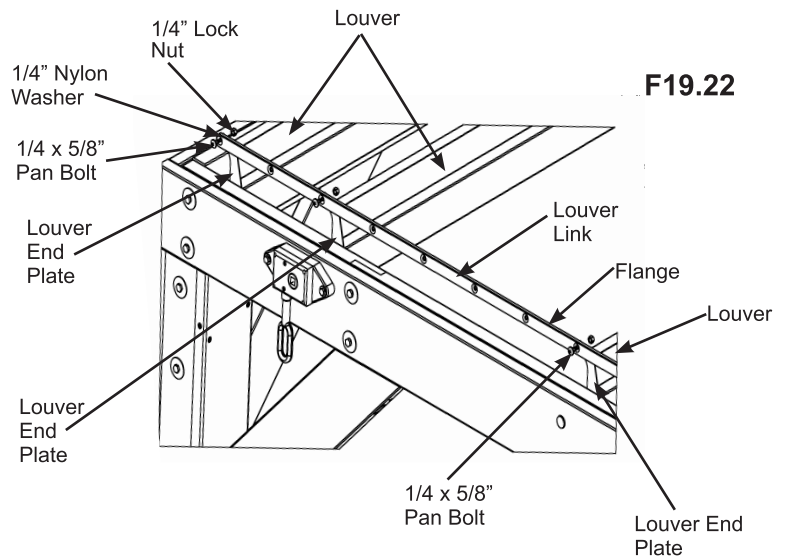
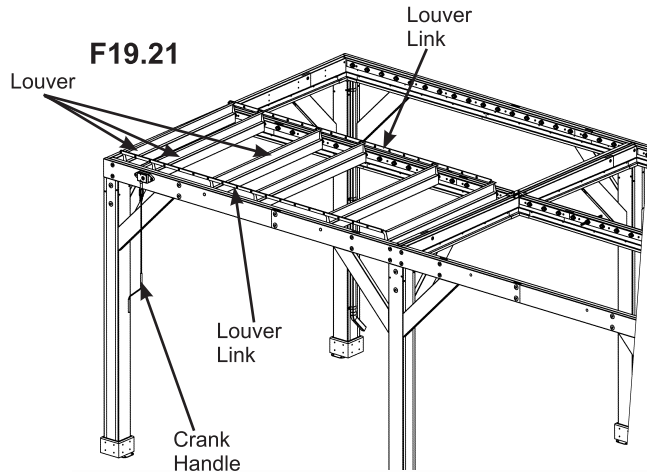
Step 19: Attach Louver Assemblies Part 6



H: Using the bolts, nylon washers and lock nuts previously attached to the tops of the Louver End Plates, connect one Louver Link to each end of the first three louvers. Lock nuts to be flush to end of bolt. The flange on the Louver Link to point away from Louvers. (F19.21, F19.22 and F19.23)

I: At the end of the Louver Link connect a second Louver Link to each end of the louver installed in Step C using the bolts, nylon washers and lock nuts previously attached to the tops of the Louver End Plates. Connect remaining louvers to Louver Links. (F19.18, F19.19 and F19.20)

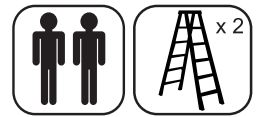
Crank Handle can be attached at this time.



Components

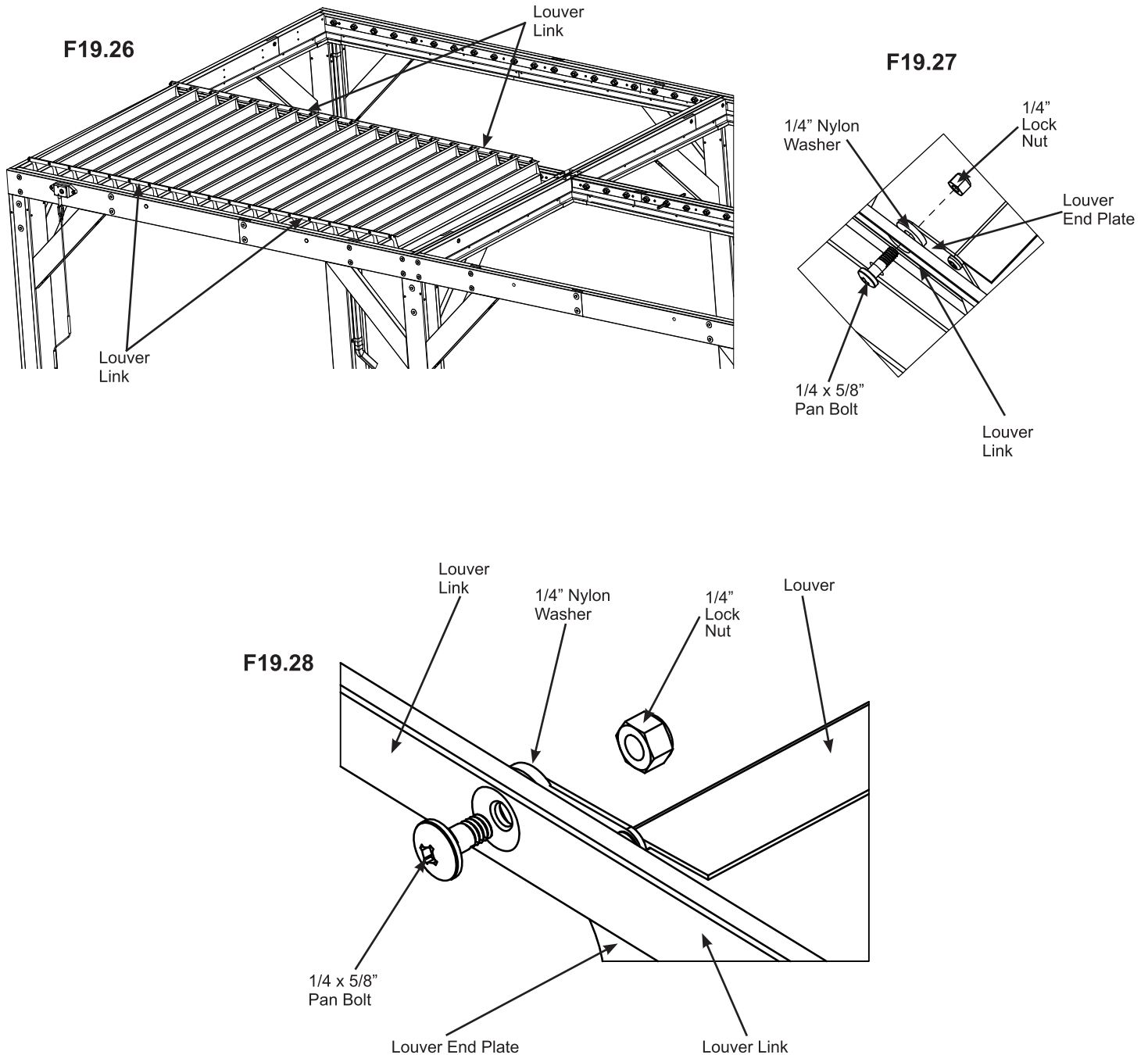
16 x Louver Link

Step 19: Attach Louver Assemblies Part 7



J: Attach 13 remaining Louvers with pins to the beams on this side of the assembly as described for the first in Steps A and B. (page 60)

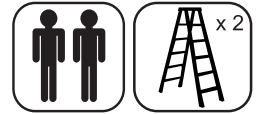
K: Connect remaining louvers to Louver Links with previously attached bolts, nylon washer and lock nuts. (F19.26, F19.27 and F19.28)



Hardware

52 x 1/4x 1/2" Pan Bolt

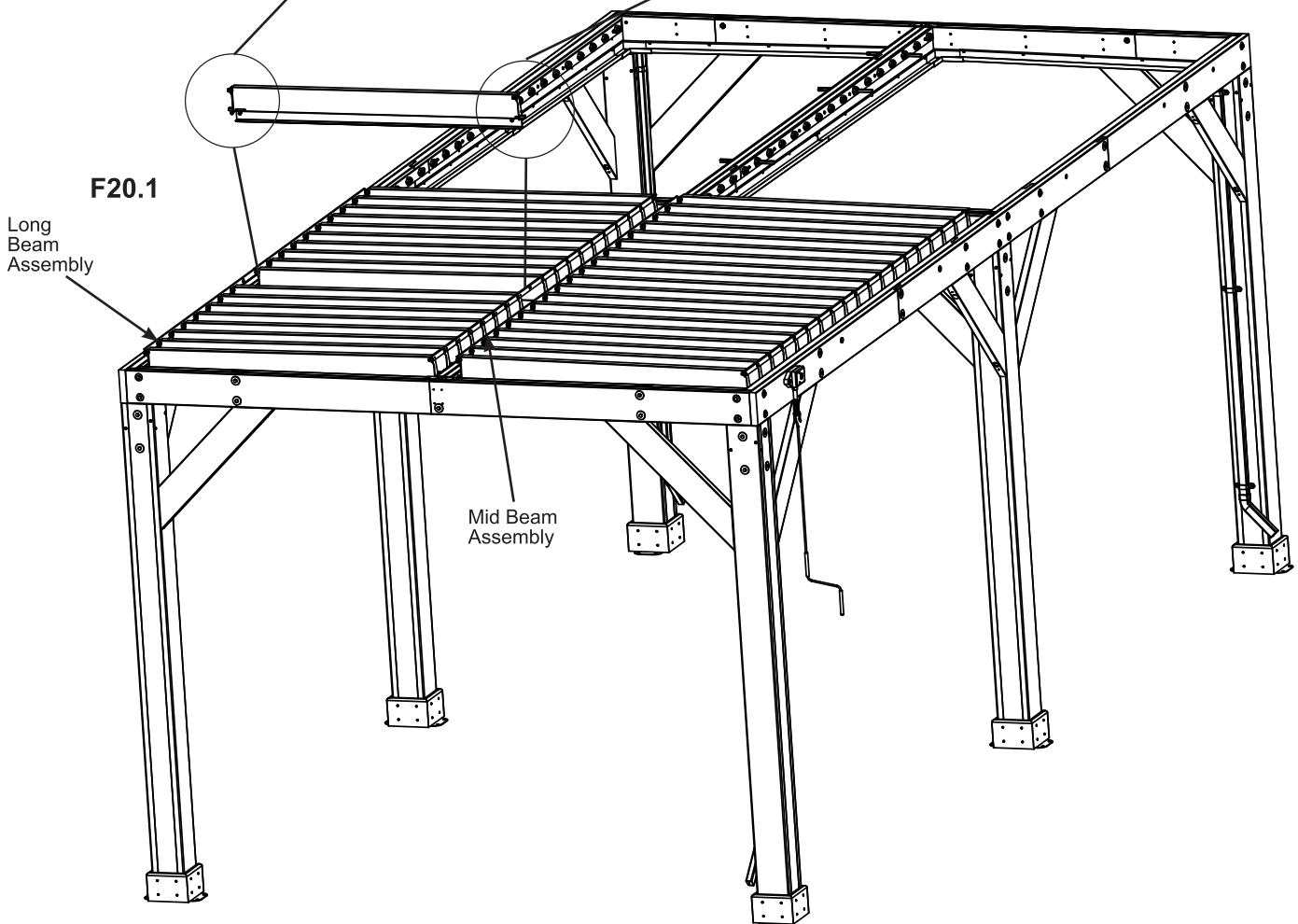
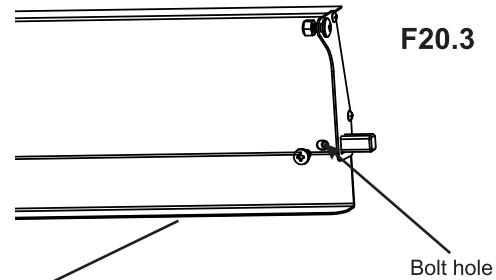
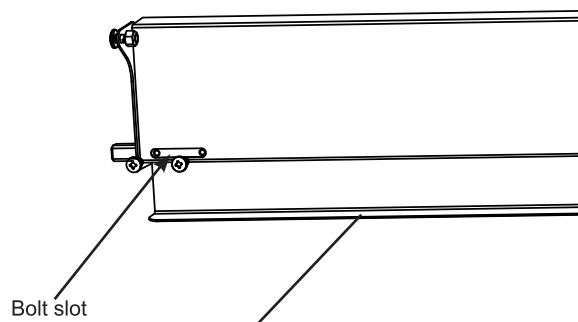
Step 20: Attach Louver Assemblies - Second Side



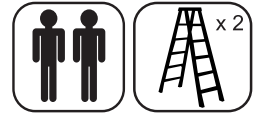
A: Repeat Step 19 (A - K) for the second side of the assembly.

B: When connecting the Louvers with and without pins for this side make sure end with bolt slot (2 bolts) is attached to the Long Beam Assembly and the end with the single bolt hole is attached to the Mid Beam Assembly. If they are not attached in this order they will not turn properly. (F20.1, F20.2 and F20.3)

F20.2

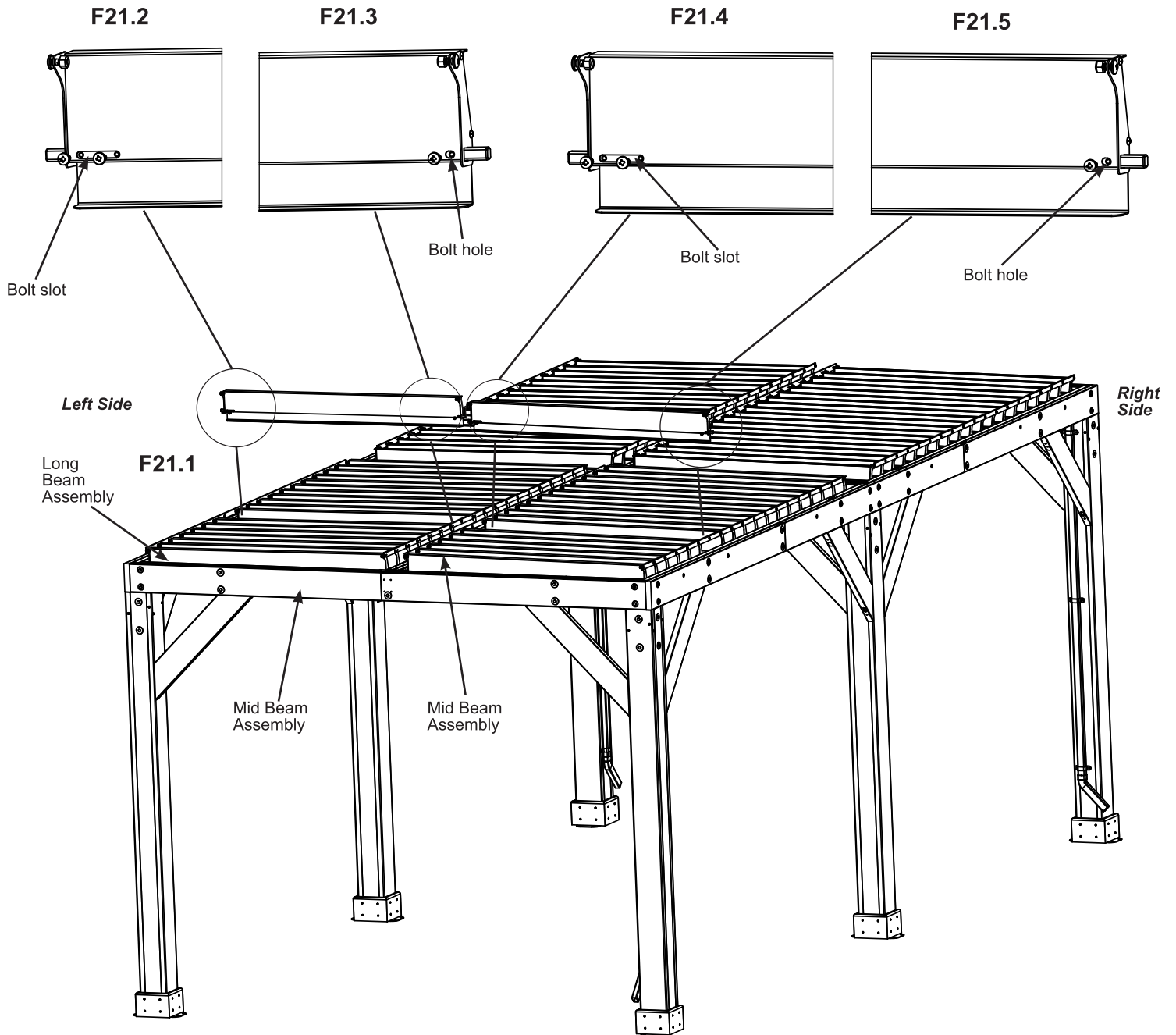


Step 21: Attach Louver Assemblies - Second half



A: Repeat Steps 19 (A - K) and 20 for the second half of the assembly.

B: When connecting the Louvers with and without pins for this side make sure end with bolt slot (2 bolts) is on the left hand side and the Louver End Plates with Bolts are facing the Short Beam Assembly. If they are not attached in this order they will not turn properly. (F21.1, F21.2, F21.3, F21.4 and F21.5)

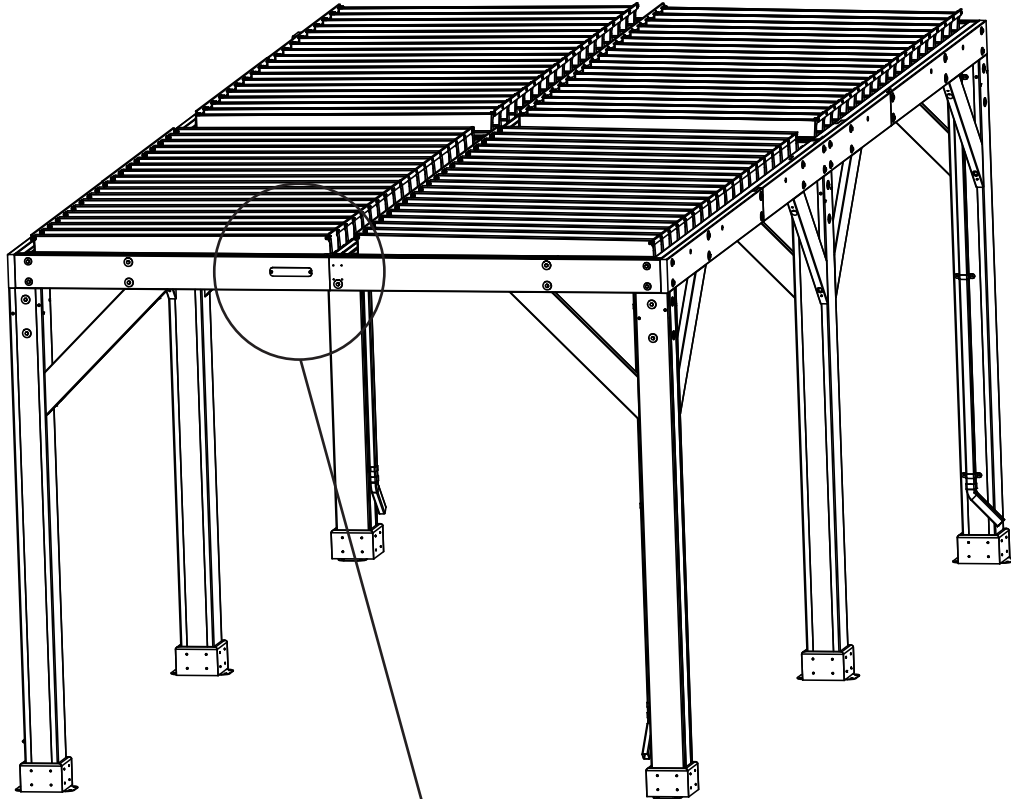


Step 22: Attach ID Plaque

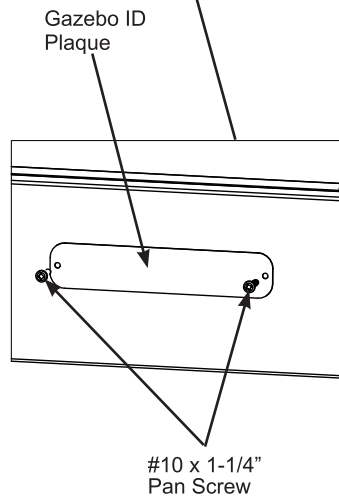


A: Attach Gazebo ID Plaque to a prominent location on your gazebo with two #10 x 1-1/4" Pan Screws. This provides warnings concerning safety and important contact information. A tracking number is provided to allow you to get critical information or order replacement parts for this specific model. (F22.1 and F22.2)

F22.1



F22.2



Components:

1 x Gazebo ID Plaque

Hardware

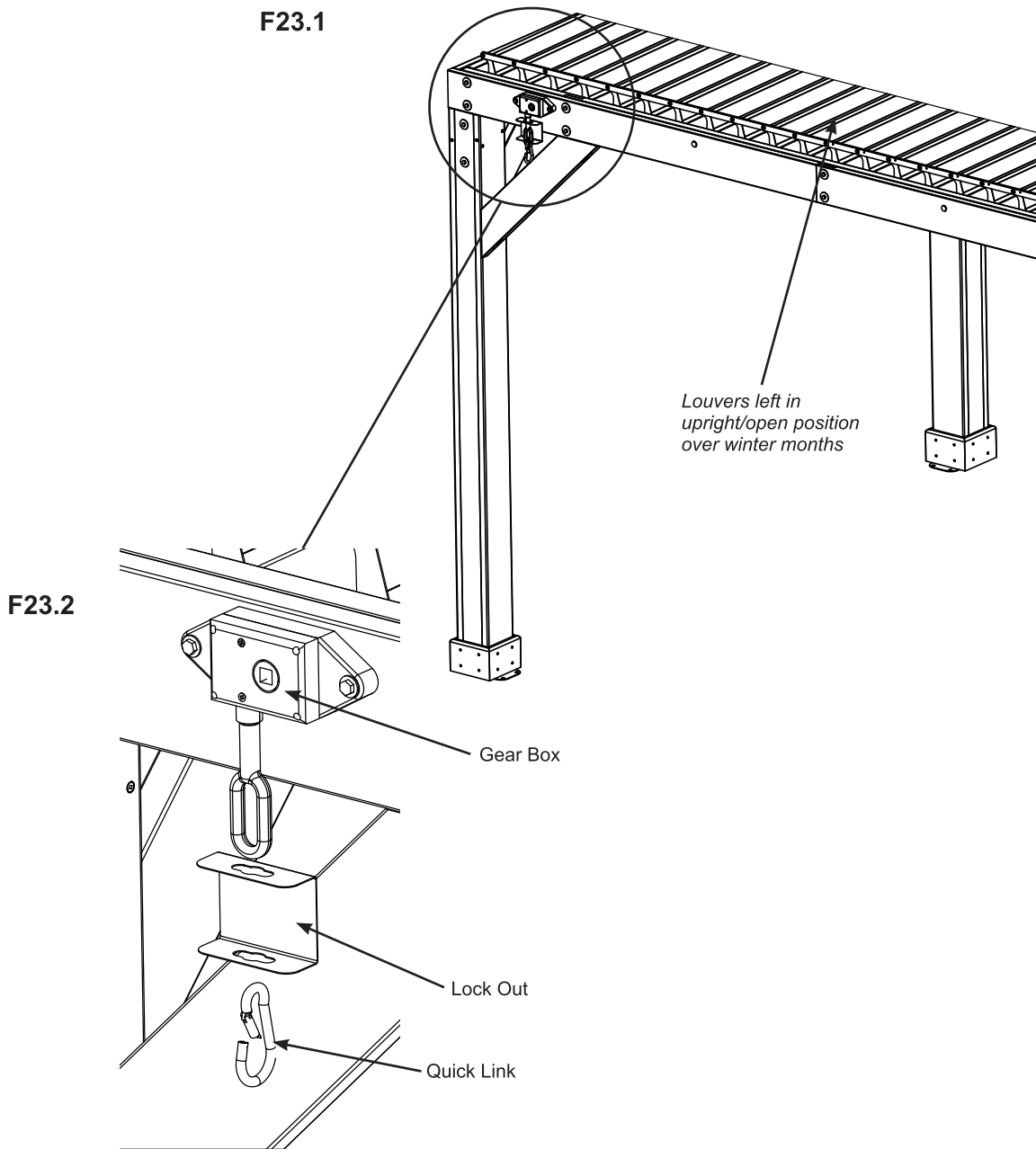
2 x #10 x 1-1/4" Pan Screw

Step 23: Gear Box Lockout and Winter Maintenance



A: To lock the Gear Box remove the Crank Handle then attach Lock Out to each Gear Box using the Quick Link to secure in place. (F23.1 and F23.2)

IMPORTANT! When preparing for high winds and/or winter conditions, turn the louvers to the open position (upright) then attach the Lock Out and Quick Link. This will prevent the structure from blowing over due to high winds and the louvers from breaking due to snow and ice loads. (F23.1 and F23.2)



Components:

- 4 x Lock Out
- 4 x Quick Link



Customer Registration Card - Tarjeta de Registro del Cliente - Carte d'inscription du client

First Name - Primer Nombre - Prénom	Initial - Inicial - Initiale	Last Name - Apellido - Nom de famille

Street - Calle - Rue	PO Box - Casilla postal - Boîte postale	Apt. No. - App.

City - Ciudad - Ville	State/Province - Estado/Provincia - État/Province

ZIP/Postal Code - Código Postal - ZIP/Code postal	Country - País - Pays

E-mail Address - Dirección de E-mail - Adresse courriel	Telephone Number - No. de Teléfono - N° de téléphone

Model Name - Nombre del Modelo - Nom du modèle	Model Number (from front cover) - Número de Modelo (de la portada) - N° du modèle (page de couverture)

Date of Purchase - Fecha de Compra - Date d'achat (mm/dd/yyyy) (mm/dd/aaaa) (mm/jj/aaaa)	Place of Purchase - Comprado a - Lieu d'achat

Comments - Comentarios - Commentaires:

Mail To - Enviar por Correo a - Envoyer par courrier à:

Yardistry
375 Sligo Road West, PO Box 10
Mount Forest, Ontario, Canada, N0G 2L0
Attention: Consumer Relations
Atención a: Servicio de Atención al Cliente
À l'attention de: Service à la clientèle

Online Registration - Registro online - Enregistrement en ligne:

www.yardistrystructures.com/warranty

Hours/ Heures/ Horas: 8:30 am - 5:00 pm EST
(excl. holidays/ hors jours fériés/ excepto los días festivos)

English and French Spoken / Anglais et français parlés / Inglés y francés hablado

Yardistry would like to say "Thank you" for your time and feedback.

Yardistry quiere "Agradecerle" por su tiempo y su opinión.

Yardistry aimerait vous remercier d'avoir pris le temps de répondre au sondage.