

Aimpoint®

3X-P™ Magnifier User manual



1 PRESENTATION

The Aimpoint® 3X-P Magnifying module can be used in conjunction with all Aimpoint sights for long-range aiming or observing. A variable (-2 to +2) dioptic setting allows this magnifier to be adapted to the individual shooter's eye. The Aimpoint 3X-P can also be used as a handheld 3X monocular.

Aimpoint magnifiers utilize the red dot in Aimpoint sights as the aiming reticle, eliminating the need for re-zeroing when shifting between non-magnified and magnified aiming.

The Aimpoint 3X-P is encased in a shock absorbing protective rubber cover that also creates an ideal ergonomic grip. Internal optical adjustments make the aligning of the magnifier and sight quick and easy.

For quick attachment/detach, we recommend the use of the Aimpoint FlipMount or the Aimpoint TwistMount.

1.1 Overview

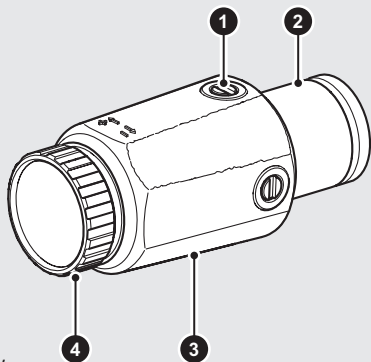


Fig. 1 Overview

1 Screws for centering (2 pcs)

2 Mounting surface

3 Rubber cover

4 Diopter ring

1.2 Technical specifications

Optical system

Magnification	3X
NVD compatible	Yes
Exit pupil diameter	6.5 mm (0.25 in)
Field Of View (FOV)	7.3°
Diopter adjustment range	± 2.0D
Eye relief	56 mm (2.2 in)

Physical specification

Housing material	Aluminum
Size (L × W × H):	103 × 46 × 46 mm / 4.1 × 1.8 × 1.8 in
Weight	203 g / 7.16 oz (including rubber cover)
Tube diameter	30 mm

Environmental specification

Temperature range (operation)	-46 °C to +71 °C / -50.8°F to +159.8°F
Temperature range (storage)	-46 °C to +71 °C / -50.8°F to +159.8°F
Submersible	25 m (82 ft)

2 OPERATION

2.1 Installing the Aimpoint® 3X-P on a weapon

The mounting surface (2) of the 3X-P allow for mounting to any 30 mm diameter ring mount. Follow the manufacturer's instructions when installing 3X-P.

For quick shifting between a magnified view and a non-magnified view, we recommend the Aimpoint® FlipMount or TwistMount (shown in Fig. 2).

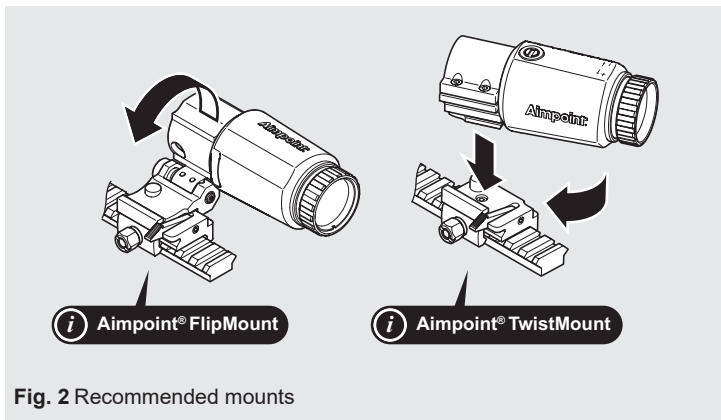


Fig. 2 Recommended mounts

The height of the mount is correct when the optical axis of the 3X-P and the sight coincide. Select a suitable position for the 3X-P on the weapon base in regards to eye relief (distance between the eye and the ocular lens).

Assemble the 3X-P to the chosen mount and install it on the weapon. The 3X-P shall be mounted with the Aimpoint logo to the left.

Carefully tighten the mount to the weapon base and retighten after a few rounds.

NOTE: Any adjustments (see 2.2) of the 3X-P does not affect point of impact.

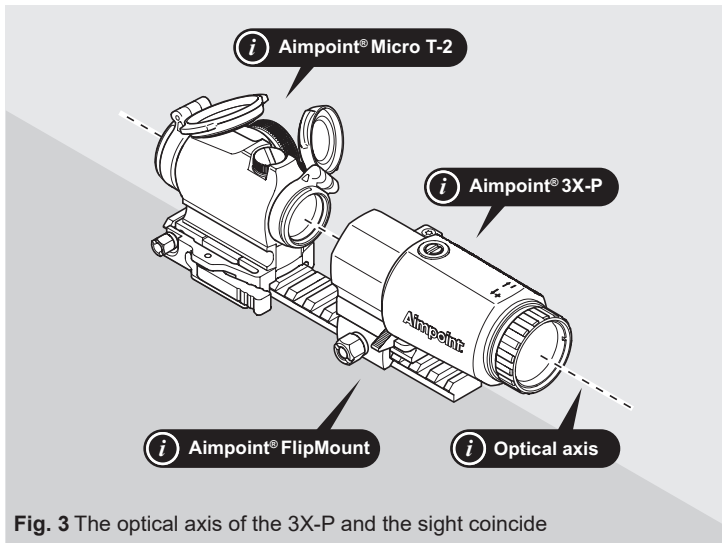


Fig. 3 The optical axis of the 3X-P and the sight coincide

2.2 Centering

The 3X-P does not need to be zeroed, since it does not have a reticle. The 3X-P has two screws for centering (1) allowing the user to center the red dot of the Aimpoint sight when viewed through the 3X-P. Centering the dot inside the 3X-P is not necessary, but creates a more natural feel.

CAUTION: Do not continue to adjust the screws if you encounter resistance.

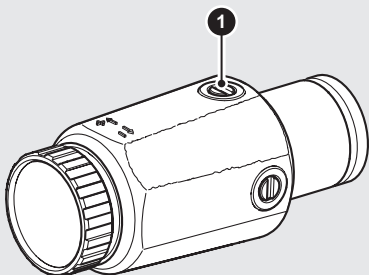


Fig. 4 Centering

2.3 Diopter setting

Additionally, on the 3X-P it is possible to adjust the diopter setting by rotating the diopter ring (4) as shown in Fig. 4.

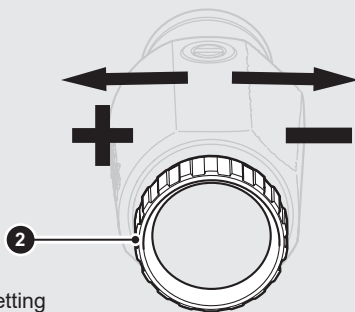


Fig. 5 Diopter setting

3 EXTREME CONDITIONS

Use in extreme heat or cold, salt air, sea spray, water, mud and snow, dust and sand storms or high altitudes does not require any special procedures.

4 MAINTENANCE

To reach maximum protection level for all weather conditions, wax is added into the rubber mixture of the rubber cover (3). The wax is slowly migrating to the surface of the part. The wax is used up completely during frequent use and is not noticed by the user. For long time storage, the wax is not used up as frequently and is seen as a grey film on the surface. Wipe with a damp cloth to restore to its original condition.

CAUTION: Never clean the lenses with the fingers. Use a lens paper/cloth. If no lens paper/cloth is available, simply blow away the dirt or fog up the lenses and dry them with a clean and soft piece of cloth.

Aimpoint AB

Jägershillgatan 15

SE- 213 75 Malmö, Sweden

Phone: +46 (0)40 671 50 20

Fax: +46 (0)40 21 92 38

e-mail: info@aimpoint.se

Aimpoint Inc.

7309 Gateway Court

Manassas, VA 20109, USA

Phone: +1 703-263-9795

Fax: +1 703-263-9463

e-mail: info@aimpoint.com

WWW.AIMPOINT.COM