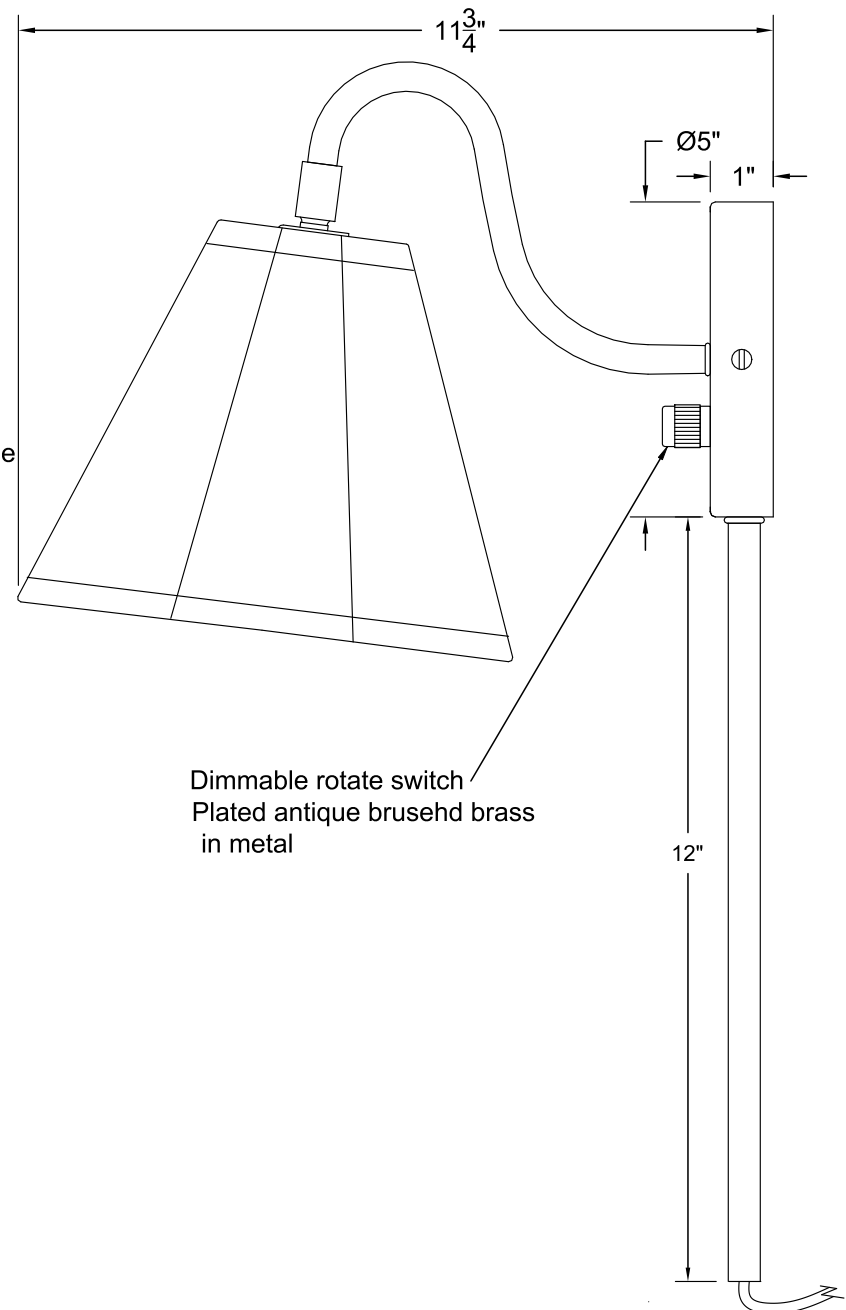


FRONT VIEW



SIDE VIEW

Item number:  
WS177

Product name:  
Arielle

Overall dimensions:  
7 1/2"W x 19 1/4"H x 11 3/4"D



**RENWIL**  
EST. 1967