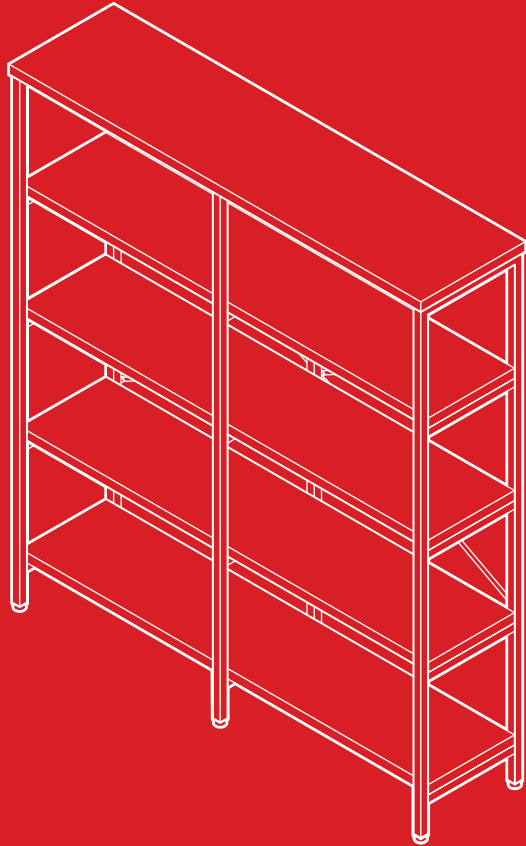




bestchoiceproducts



INSTRUCTION MANUAL

55in 5-Tier Modern Bookshelf

NOTICE

Please retain these instructions for future reference.

- Please do not exceed the weight limitations of this item.
- Do not stand on or use any part of this item as a step ladder.
- Firmly secure all bolts, screws, and knobs before use.
- Reconfirm that all bolts, screws, and knobs are secure every 90 days.
- Fasten screws loosely during initial assembly. Do not firmly tighten the screws until the item is completely assembled.
- Do not use or store this item in the proximity of open flame or flammable/combustible chemicals.
- Be aware that some parts are heavy and have sharp edges.
- If any parts are missing, broken, damaged, or worn, stop using this product until repairs are made and/or factory replacement parts are installed.
- Do not use this item in a way inconsistent with the manufacturer's instructions as this could void the product warranty.

TOOLS REQUIRED



440 LBS
CAPACITY
(TOTAL)



88 LBS
CAPACITY
(PER SHELF)



1 PERSON
ASSEMBLY



UP TO 45 MIN.
ASSEMBLY

HARDWARE

1

M6 X 12MM
SCREW



4 PCS

2

M6 X 35MM
SCREW



30 PCS

3

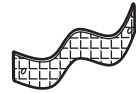
M4 X 45MM
FOOT CAP



6 PCS

4

MOUNTING
STRIP



1 PC

5

WALL ANCHOR



2 PCS

6

WALL SCREW



2 PCS

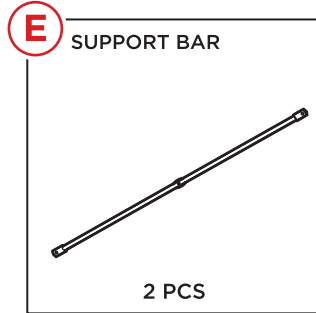
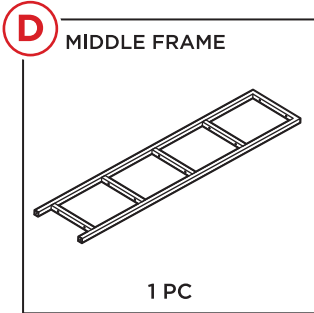
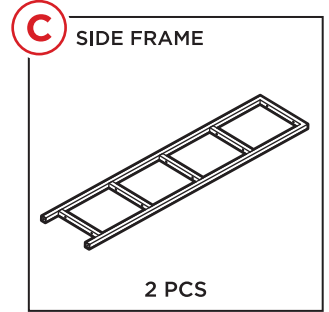
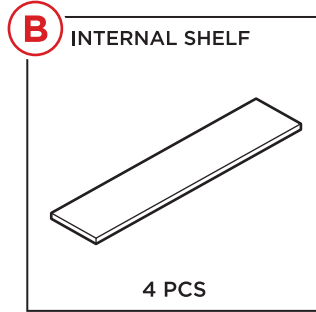
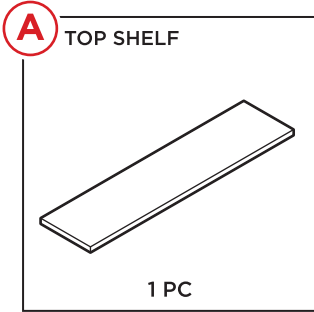
7

M6 X 20MM
SCREW



1 PC

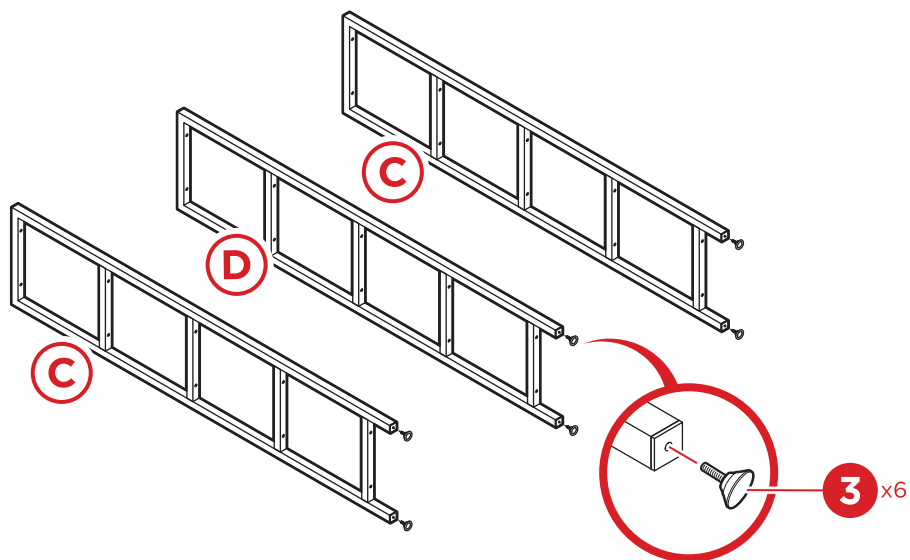
PARTS



PRODUCT ASSEMBLY

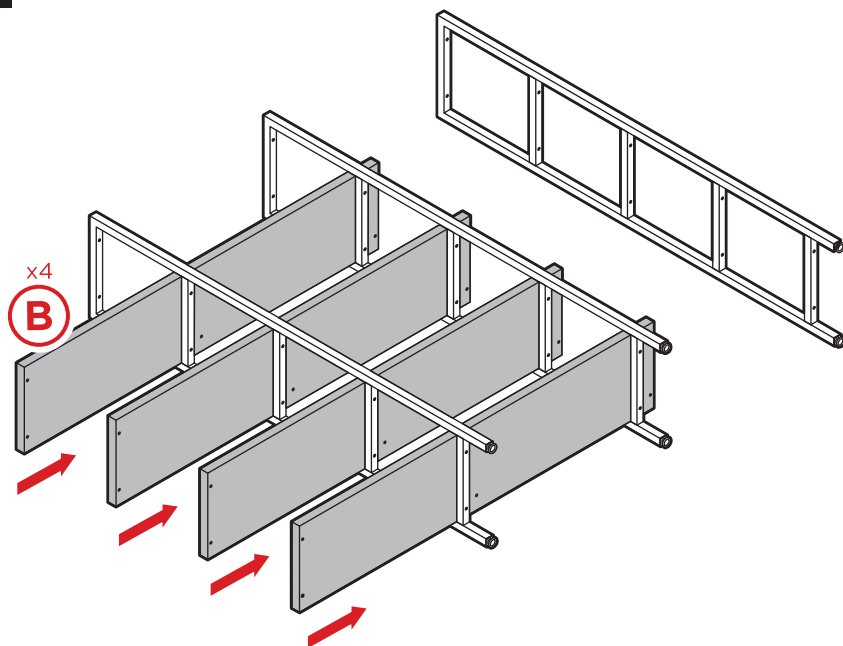
1

Locate the part C & D frames and insert six part 3 foot caps, two caps per frame piece.



2

Lay the frame pieces on a flat surface, then slide four part B internal shelves onto the frames as shown.

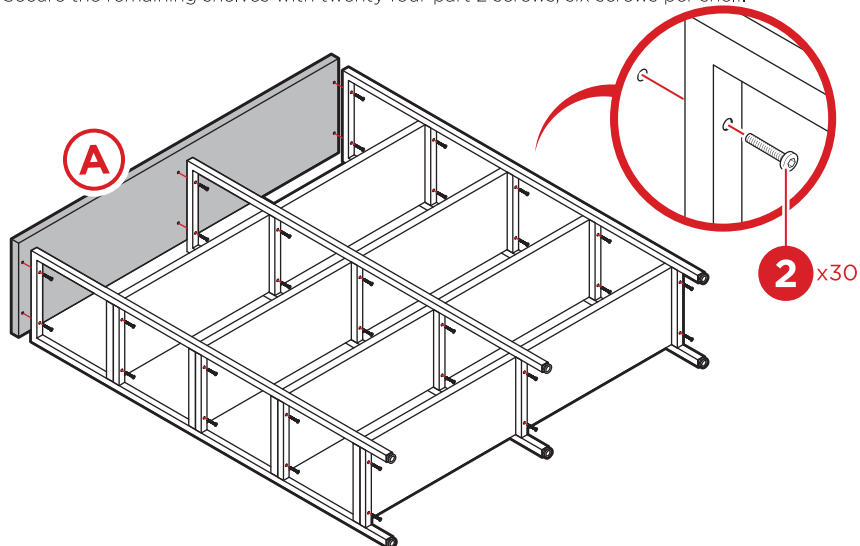


PRODUCT ASSEMBLY

3

Locate the part A top shelf and attach it to the parts C & D frames with six part 2 screws, two screws per frame.

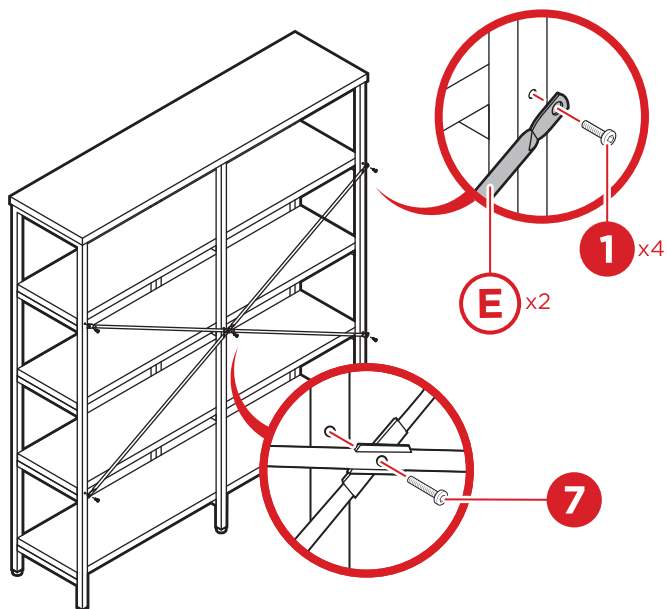
Secure the remaining shelves with twenty four part 2 screws, six screws per shelf.



4

Place the assembly upright and adjust the foot caps until level if necessary.

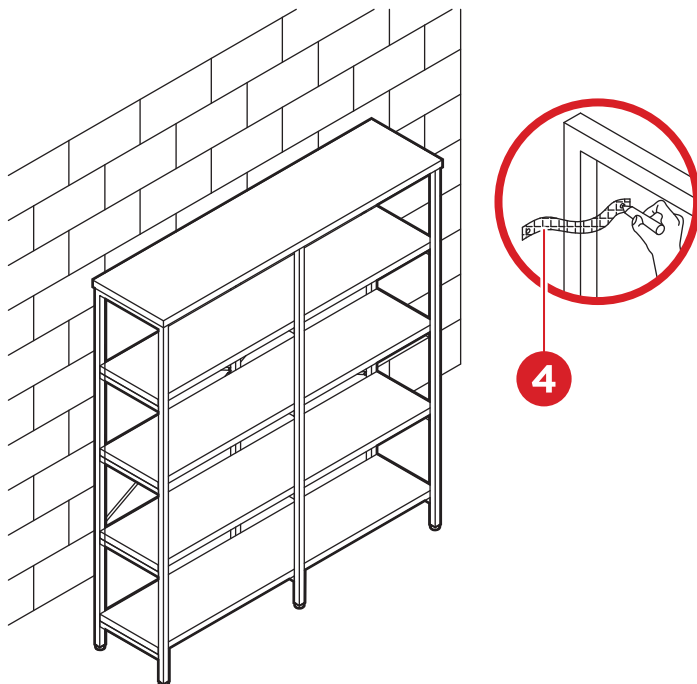
Attach two part E support bars to the parts C & D frames with four part 1 screws and interlock the two bars with one part 7 screw.



WALL MOUNTING (OPTIONAL)

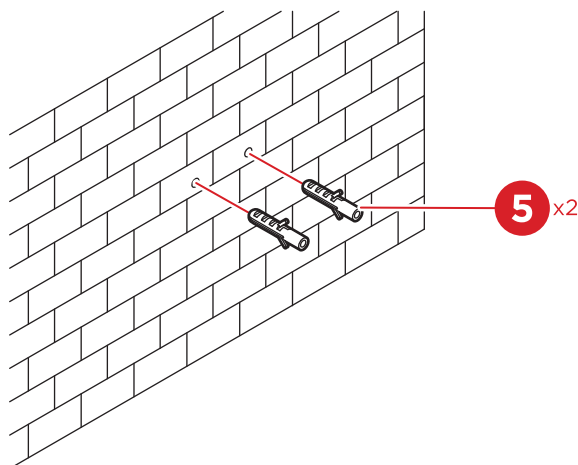
1

After selecting your bookshelf's location, place the part 4 mounting strip onto the wall, overlapping the back of the part D middle frame. Use a pencil to mark the wall where the strip will sit.



4

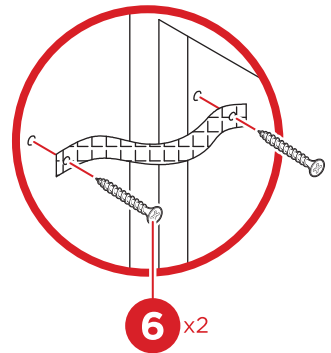
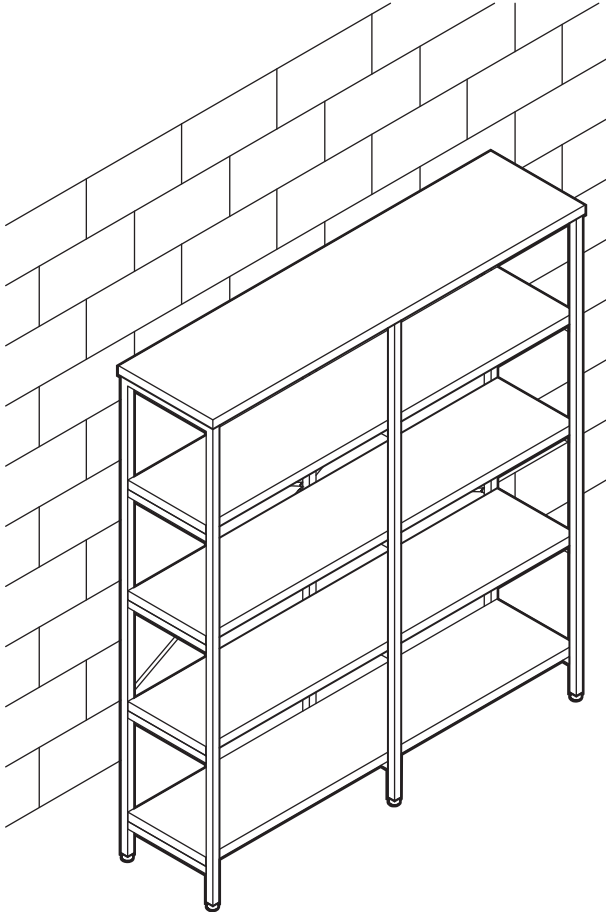
Remove the bookshelf and use a drill to ready to pilot holes. Insert two part 5 wall anchors into the chosen wall.



WALL MOUNTING (OPTIONAL)

3

Replace the bookshelf, then place the part 4 mounting strip over the part D middle frame and secure with two part 6 screws.





HELP CENTER



Question about your product? We're here to help. Visit us at:

help.bestchoiceproducts.com



Product Assembly



Returns & Refunds

PRODUCT WARRANTY INFORMATION

All items can be returned for any reason within 60 days of the receipt and will receive a full refund as long as the item is returned in its original product packaging and all accessories from its original shipment are included. All returned items will receive a full refund back to the original payment method. All returned items will not be charged a re-stocking fee.

All returned items require an RA (Return Authorization) number, which can only be provided by a Best Choice Products Customer Service Representative when the return request is submitted. Items received without an RA may not be accepted or may increase your return processing time. Once an item has been received by Best Choice Products, refunds or replacements will be processed within 5 business days.

All returns must be shipped back to the Best Choice Products Return Center at the customer's expense. If the reason for return is a result of an error by Best Choice Products then Best Choice Products will provide a pre-paid shipping label via email. Boxes for return shipping will not be provided by Best Choice Products, and is the customer's responsibility to either use the original shipping boxes or purchase new boxes.

Pictures may be required for some returns to ensure an item is not damaged prior to its return. Items returned are not considered undamaged until they are received by Best Choice Products and verified as such. All damages to items are the customer's responsibility until the item has been received by and acknowledge by Best Choice Products as undamaged.

WARNING

Manufacturer and seller expressly disclaim any and all liability for personal injury, property damage or loss, whether direct, indirect, or incidental, resulting from the incorrect attachment, improper use, inadequate maintenance, unapproved modification, or neglect of this product.