

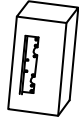
# ASSEMBLY INSTRUCTION

## CRYSTAL TUFTED STEEP WINGBACK FULL/QUEEN/ EASTERN KING NAILHEAD HEADBOARD

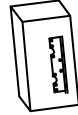
**A** Headboard      **B** Left Wooden Frame      **C** Right Wooden Frame      **D** Left Side Panel      **E** Right Side Panel



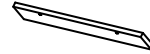
1pc



1pc



1pc



1pc



1pc

**F** Bolt  
1/4" x 50mm



10pcs

**G** Flat Washer



10pcs

**H** Lock Washer



10pcs

**I** Allen Wrench

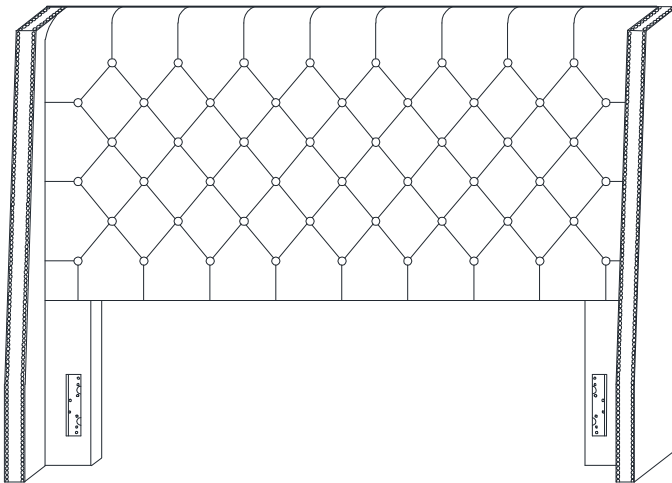


1pc

**J** Back Cover



1pc

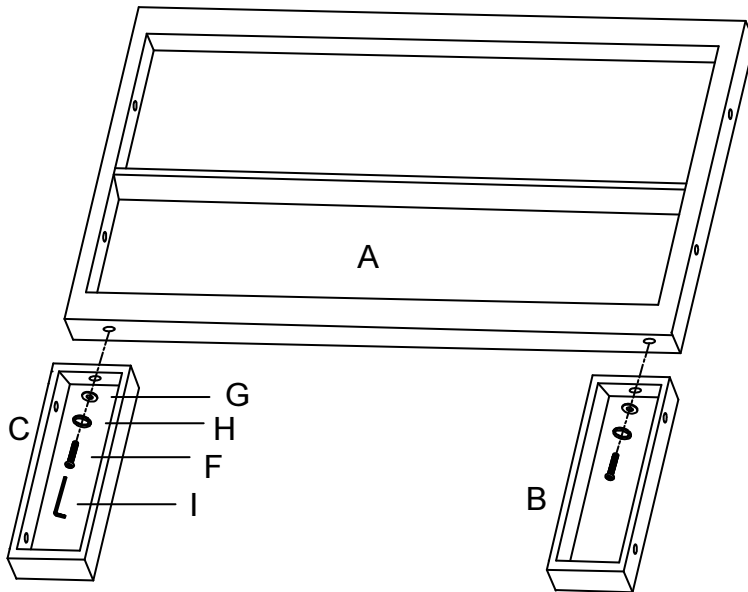


Please take the time to identify the hardware as well as the individual components to this product. As you unpack and prepare for assembly, place the contents on a carpeted or padded area to protect them from damage.

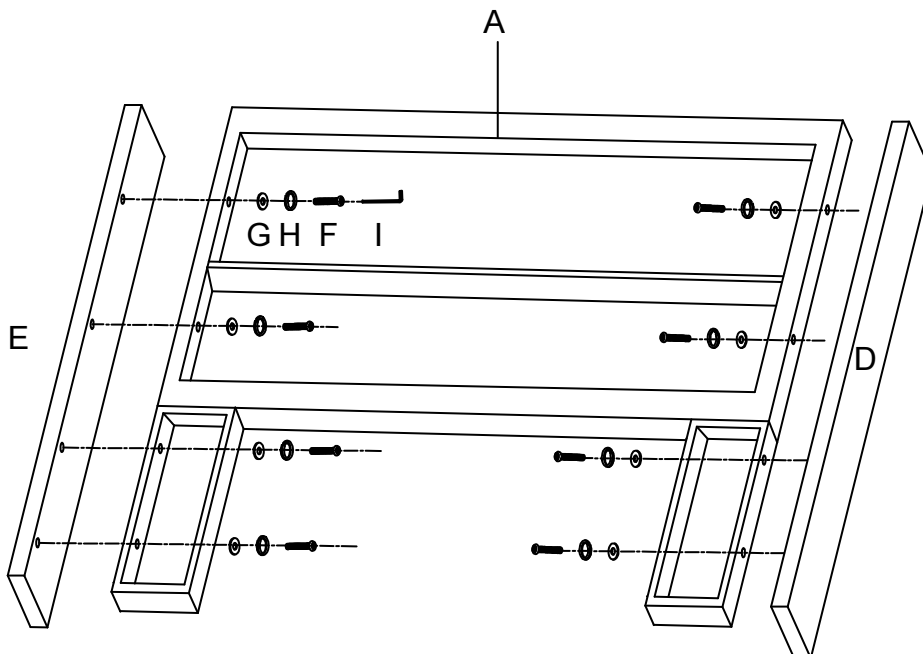
Hardware package with white sticker is for customers using a bolt-on metal bed frame.

**1**

Attached Wooden Frame (B) (C) to the Headboard (A) use Bolt (F), Lock Washer (H) and Flat Washer (G). Turn the Allen Wrench (I) in Bolt (F).

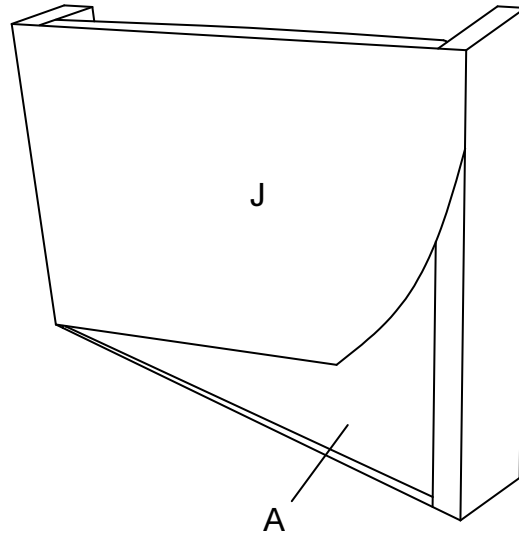
**2**

Attached Side Panel (D) (E) to the Headboard (A) use Bolt (F), Lock Washer (H) and Flat Washer (G). Turn the Allen Wrench (I) in Bolt (F).



---

**3** Stick the Back Cover (J) on the back of the Headboard (A).



---

**Cleaning & Care**

Treat surface with care. Surface is resistant to scratches but is not scratch resistant. Clean surfaces with a dry or damp soft cloth. Do not use abrasive cleaners. Hardware may loosen over time. Periodically check that all connections are tight.

# ASSEMBLY INSTRUCTION

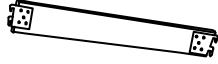
## FULL/QUEEN FOOTBOARD & RAILS

**A** Footboard



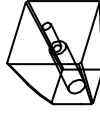
1pc

**B** Side Rails



2pcs

**C** Wooden Leg



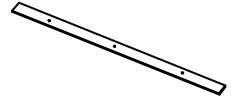
2pcs

**D** Support Leg



6pcs

**E** Wooden Slat



3pcs

**F** Screw



12pcs

**G** Bolt  
1/4" x 75mm



2pcs

**H** Bolt  
1/4" x 50mm



6pcs

**I** Flat Washer



8pcs

**J** Lock Washer



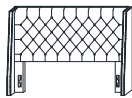
8pcs

**K** Allen Wrench

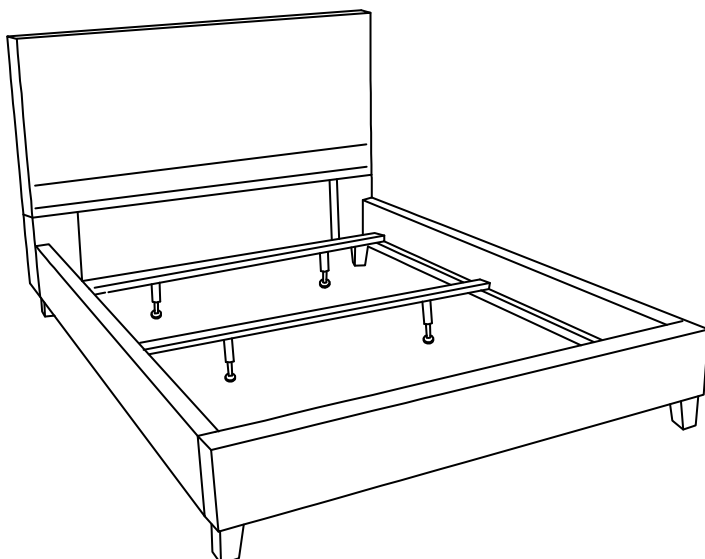


1pc

**L** Headboard  
(in other carton)



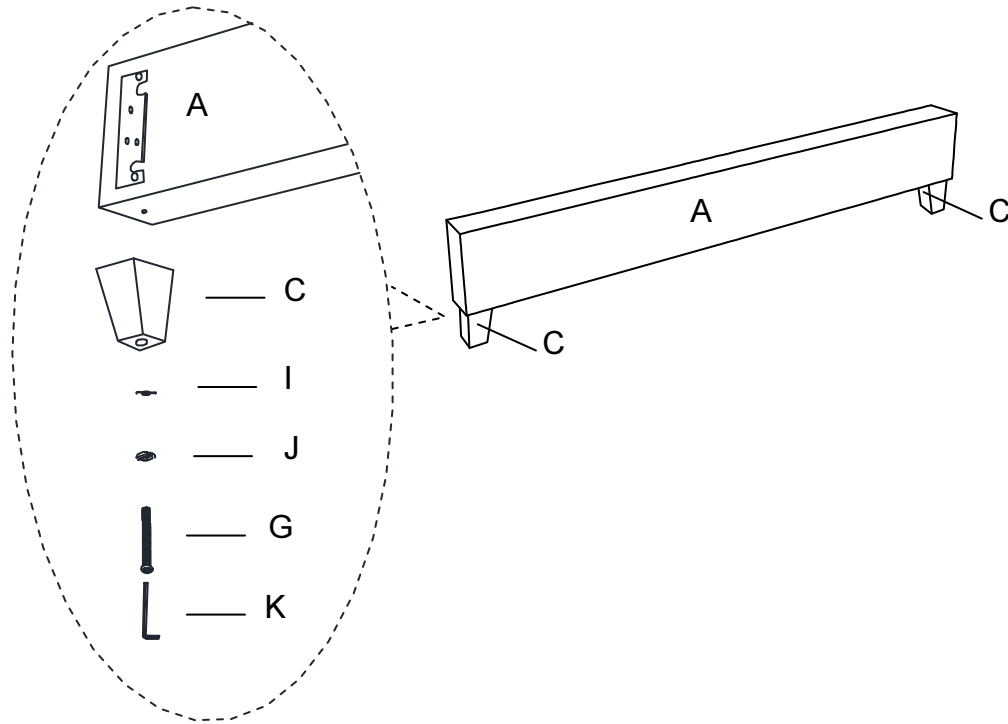
1pc



This page lists all the contents included in the box. Please take the time to identify the hardware as well as the individual components to this product. As you unpack and prepare for assembly, place the contents on a carpeted or padded area to protect them from damage.

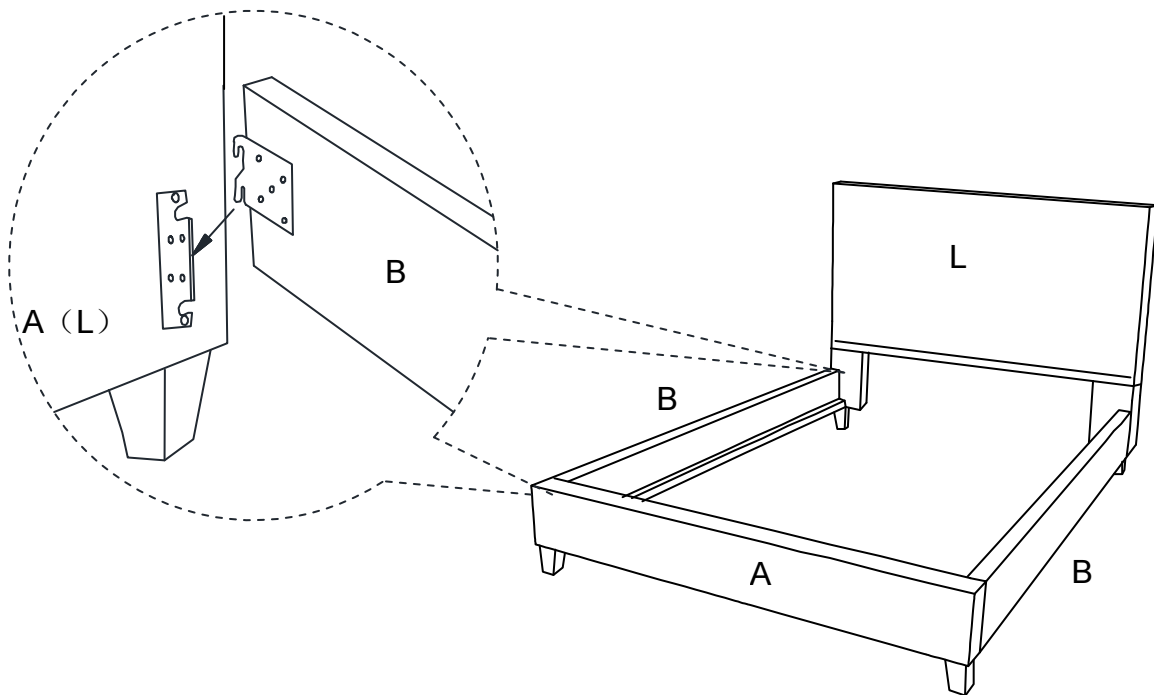
1

Attached Wooden Leg(C) to the Footboard(A) use Bolt(G), Lock Washer(J) and Flat Washer(I) on both of holes. Turn the Allen Wrench(K) in Bolt(G).



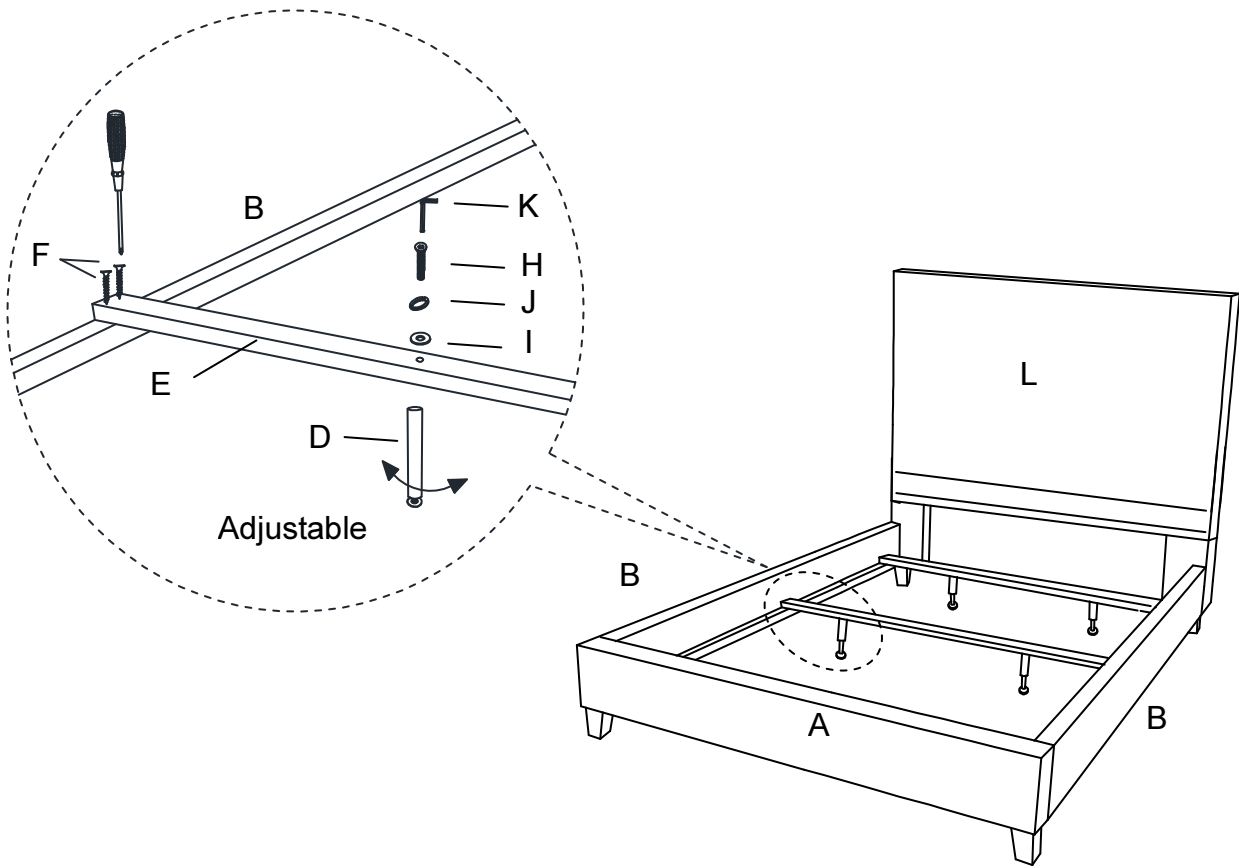
2

Attached Side Rail(B) to the Headboard(L) and Footboard(A).



3

Assembly Support Leg(D) to Wooden Slats(E) use Bolt(H), Lock Washer(J) and Flat Washer(I) by Allen Wrench(K). Assembly Wooden Slats(E) to Side Rail(B) use Screw (F) as showing.



### Cleaning & Care

Treat surface with care. Surface is resistant to scratches but is not scratch resistant. Clean surfaces with a dry or damp soft cloth. Do not use abrasive cleaners. Hardware may loosen over time. Periodically check that all connections are tight.

# ASSEMBLY INSTRUCTION

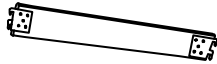
## EASTERN KING FOOTBOARD & RAILS

**A** Footboard



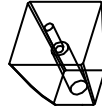
1pc

**B** Side Rails



2pcs

**C** Wooden Leg



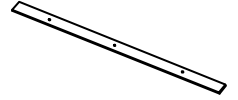
2pcs

**D** Support Leg



15pcs

**E** Wooden Slats



5pcs

**F** Screw



20pcs

**G** Bolt  
1/4" x 75mm



2pcs

**H** Bolt  
1/4" x 50mm



15pcs

**I** Flat Washer



17pcs

**J** Lock Washer



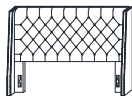
17pcs

**K** Allen Wrench

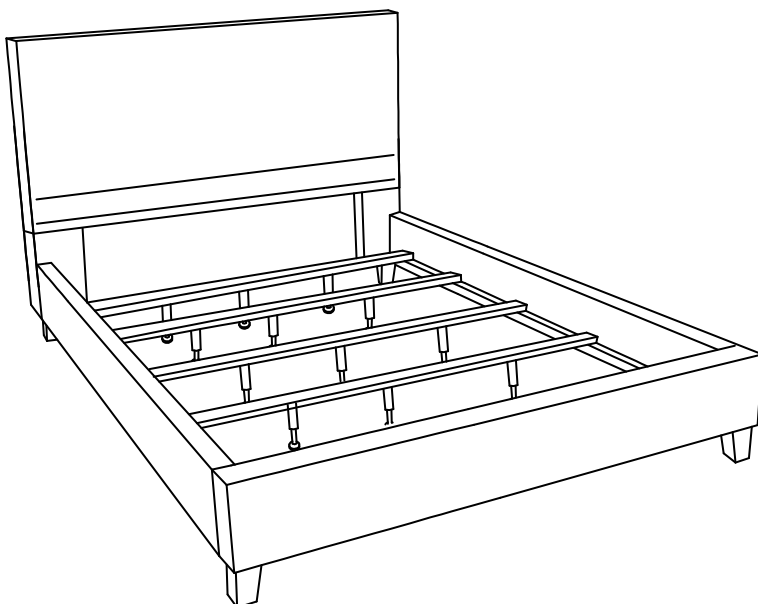


1pc

**L** Headboard  
(in other carton)



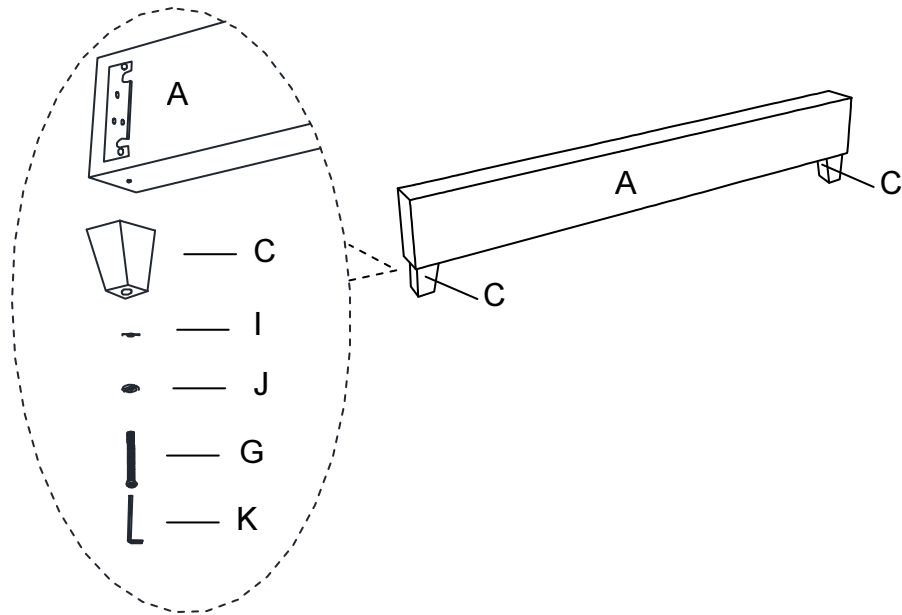
1pc



This page lists all the contents included in the box. Please take the time to identify the hardware as well as the individual components to this product. As you unpack and prepare for assembly, place the contents on a carpeted or padded area to protect them from damage.

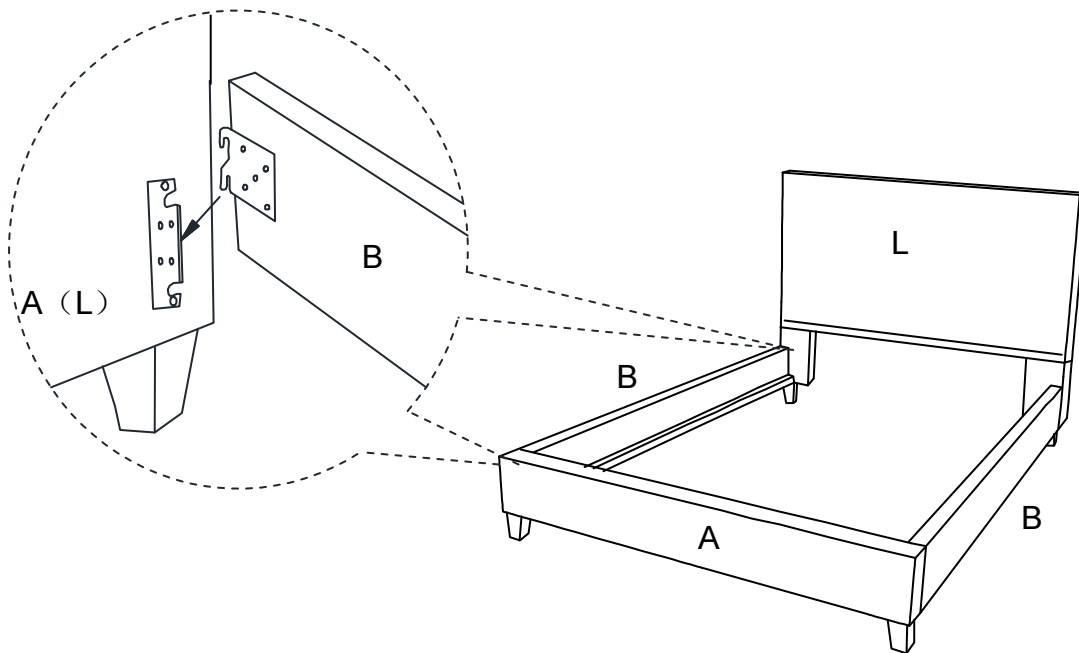
1

Attached Wooden Leg(C) to the Footboard(A) use Bolt(G), Lock Washer(J) and Flat Washer(I) on both of holes. Turn the Allen Wrench(K) in Bolt(G).



2

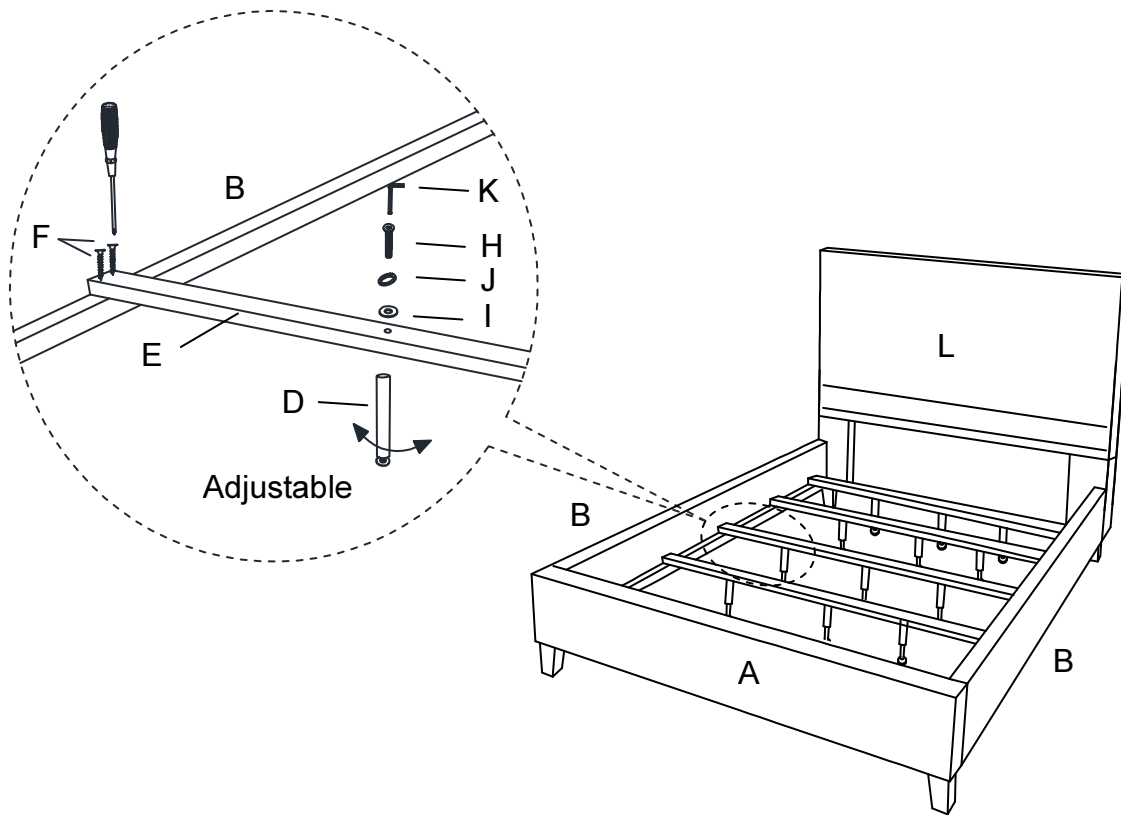
Attached Side Rail(B) to the Headboard(L) and Footboard(A).





3

Assembly Support Leg(D) to Wooden Slats(E) use Bolt(H), Lock Washer(J) and Flat Washer(I) by Allen Wrench(K). Assembly Wooden Slats(E) to Side Rail(B) use Screw (F) as showing.



### Cleaning & Care

Treat surface with care. Surface is resistant to scratches but is not scratch resistant. Clean surfaces with a dry or damp soft cloth. Do not use abrasive cleaners. Hardware may loosen over time. Periodically check that all connections are tight.