

# SILVERBACK

## SBX50 PORTABLE BASKETBALL

MODEL NO.  
**B8405F**



**Please Do Not Return This Product to the Store!**

Contact Escalade® Sports customer service department at:  
Phone: 1-888-USA-GOAL Toll-Free!  
Fax: 1-866-873-3536 Toll-Free!  
E-mail: [customerservice@escaladesports.com](mailto:customerservice@escaladesports.com)

**ESCALADE®**  
SPORTS

Escalade® Sports products may be manufactured and/or licensed under the following patents.  
6120397, 5816957, 5769744, 5119741, 4911085, 4717157, D460140, D420563, 8414431  
Additional patents may be pending. One or more of the listed patents and/or pending patents may cover specific product.

2L-7874-01

2022 Escalade® Sports

## PRE - ASSEMBLY TIPS

1. **Read this manual carefully before starting assembly.** Read each step completely before beginning each step.
2. **Some smaller parts may be shipped inside larger parts. Check inside all parts and cartons before assembling or ordering parts.**
3. **To make assembly easier, use the Hardware Identifier on page 7 to identify and sort all fasteners. Check all cartons for kits. All hardware may not be located in one kit. Please keep your box it could be used as an assembly aid. See page 29.**
4. **Do not tighten hardware until instructed to do so. If hardware is tightened too soon, mounting holes may not align and parts may not easily fit together. Leave locknuts slightly loose until you are instructed to tighten them.**
5. **Save these instructions and your proof of purchase (receipt) in the event that the manufacturer has to be contacted for replacement parts.**
6. **Tools required for assembly:**
  - 3/8" drive ratchet wrench
  - 3" or longer extension
  - #2 Philips Head Screw Driver
  - 10mm socket and wrench
  - 13mm socket and wrench
  - 16mm socket and wrench
  - 17mm socket
  - 19mm socket and wrench
  - 4' step ladder or other 4' support

**Tools recommended for assembly:**

- 8" Adjustable Wrench
- Rubber Mallet
- 1/4" tip drift punch or 5/16" dia. X 8" long metal rod to assist with hole alignment
- Utility knife or Rat Tail file to clear excess paint from holes
- Funnel
- 3/8" Allen Wrench
- Materials to cushion parts during assembly to prevent scratches/dings
- Wooden Block (at least 3"x3")

### Please Do Not Return This Product To The Store!

Contact Escalade® Sports customer service department at:

Phone: 1-888-USA-GOAL Toll – Free !

Fax: 1-866-873-3536 Toll – Free !

E-mail: [basketball@escaladesports.com](mailto:basketball@escaladesports.com)

Mailing Address (correspondence only):

Escalade Sports

PO Box 889

Evansville, IN 47706

Please visit our Website at:  
[www.escaladesports.com](http://www.escaladesports.com)

ON-LINE TROUBLE SHOOTING TECHNICAL ASSISTANCE  
 ON-LINE PARTS REQUESTS FREQUENTLY ASKED QUESTIONS  
 ADDITIONAL ESCALADE®SPORTS PRODUCT INFORMATION



# SAFETY INSTRUCTIONS

**FAILURE TO FOLLOW THESE SAFETY INSTRUCTIONS MAY RESULT IN SERIOUS INJURY, PROPERTY DAMAGE AND WILL VOID WARRANTY.**

**Owner must ensure that all players know and follow these rules for safe operation of the system.**

**To ensure safety, do not attempt to assemble this system without following the instructions carefully. Proper and complete assembly, use and supervision is essential for proper operation and to reduce the risk of accident or injury. A high probability of serious injury exists if this system is not installed, maintained, and operated properly.**

- If using a ladder during assembly, use extreme caution.
- 2 people are recommended for this operation.
- Seat the pole sections properly (if applicable). Failure to do so could allow the pole sections to separate during play.
- Before digging contact utility company to locate underground power cables, gas and water lines. Ensure there are no overhead power lines within 20 ft. (7m) radius of pole location.
- Climate, corrosion or misuse could result in system failure.
- If technical assistance is required, contact the manufacturer.
- Minimum operational height is 6'6" (1.98m) to the bottom of backboard.

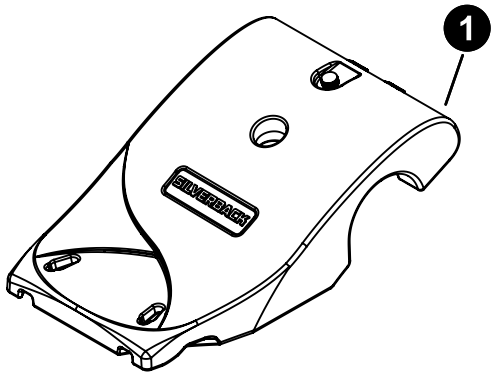
*Most injuries are caused by misuse and/or not following instructions.  
Use caution when using this system.*

## **WARNING**

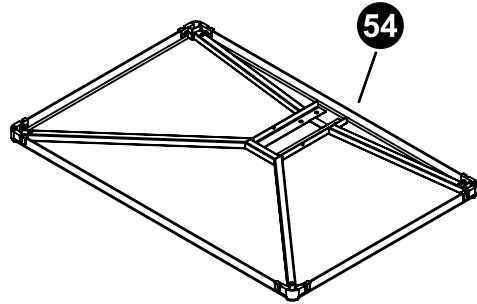
**FAILURE TO FOLLOW THESE WARNINGS MAY RESULT IN SERIOUS INJURY AND/OR PROPERTY DAMAGE.**

- DO NOT DUNK on this system.
- During play, do not wear jewelry (rings, watches, necklaces, etc.) Objects may entangle in net or other areas of structure.
- Wear mouth guard during playing to avoid dental injuries.
- Do not allow children to adjust the system.
- See pole for additional warnings.

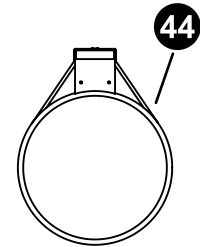
**PARTS LIST (NOT ACTUAL SIZE)**



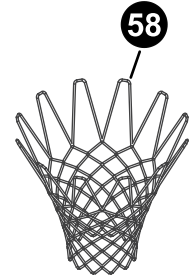
**BALLAST**  
3M-8991-20  
**(QTY. 1)**



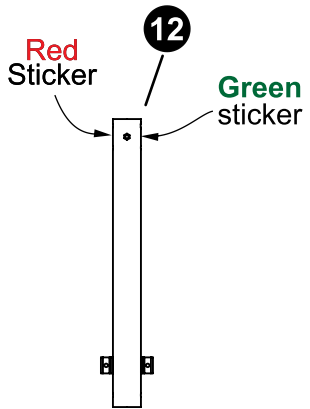
**BACKBOARD ASSEMBLY 50 X 33**  
4A-8059-40  
**(QTY. 1)**



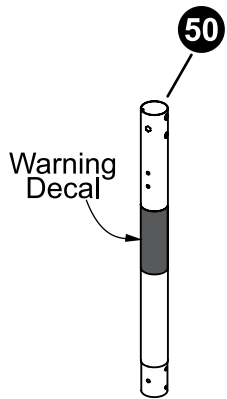
**BREAK AWAY RIM**  
4A-8069-20  
**(QTY. 1)**



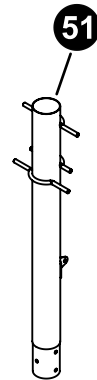
**RIM NET**  
3F-6070-00  
**(QTY. 1)**



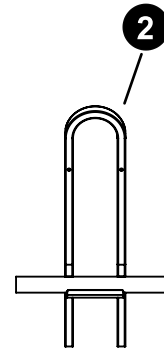
**LOWER POLE**  
1A-7910-00  
**(QTY. 1)**



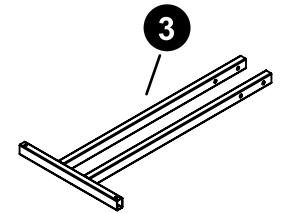
**MIDDLE POLE**  
1A-7912-00  
**(QTY. 1)**



**TOP POLE**  
1A-7913-00  
**(QTY. 1)**

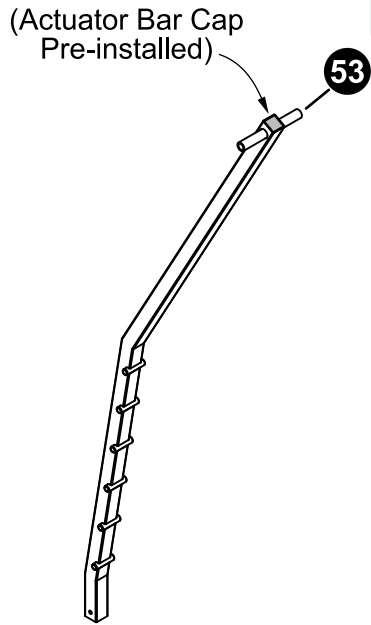


**ROLLING FRAME**  
1A-7903-00  
**(QTY. 1)**

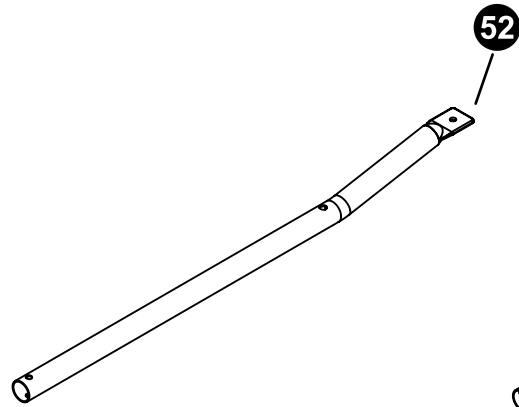


**BALLAST FRAME**  
1A-7904-00  
**(QTY. 1)**

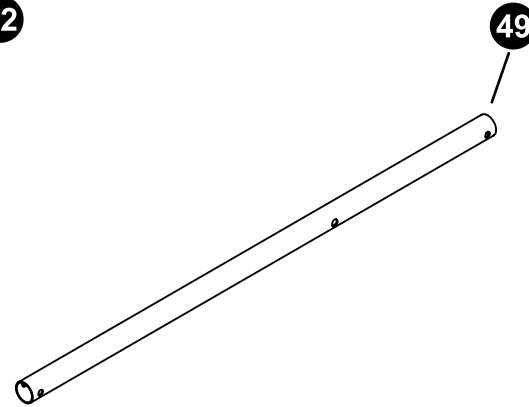
# PARTS LIST (NOT ACTUAL SIZE)



ACTUATOR BAR  
1A-7920-10  
(QTY. 1)



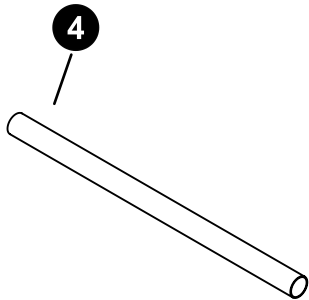
UPPER BOARD ARM  
8S-7712-00  
(QTY. 2)



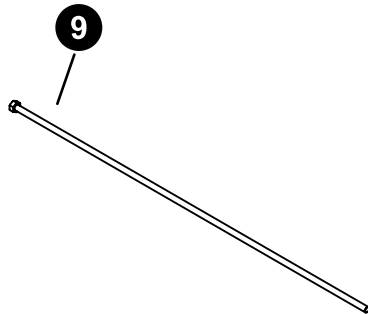
LOWER BOARD ARM  
8S-7713-00  
(QTY. 2)



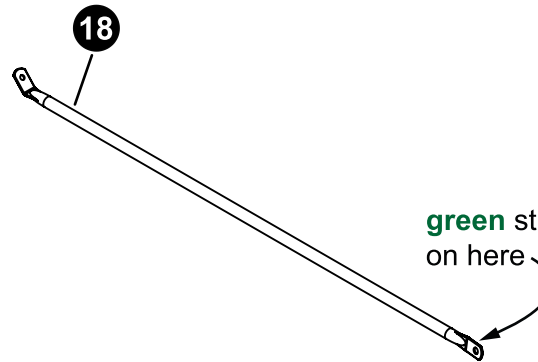
BOARD ARM CAP  
3M-9017-00  
(QTY. 6)  
(Pre-assembled to Board Arms)



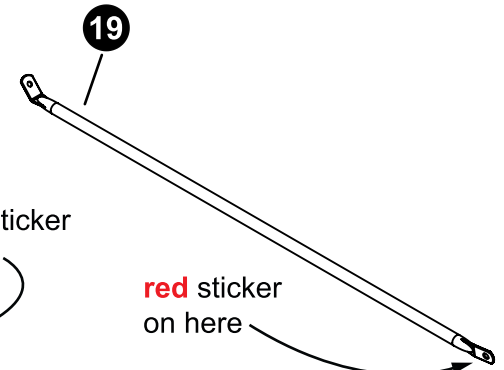
AXLE  
8S-7710-00  
(QTY. 1)  
(Packed inside of Top Pole)



AXLE ROD  
1B-7140-00  
(QTY. 1)

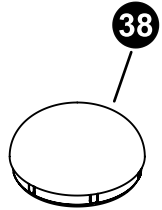


BRACE TUBE, RH  
8S-7708-00  
(QTY. 1)  
(Has a **green** sticker on it)

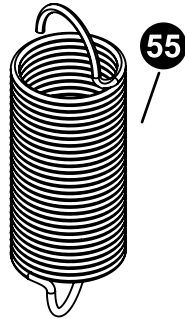


BRACE TUBE, LH  
8S-7709-00  
(QTY. 1)  
(Has a **red** sticker on it)

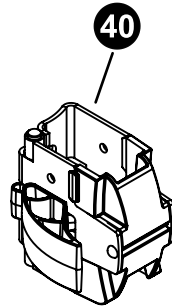
# PARTS LIST (NOT ACTUAL SIZE)



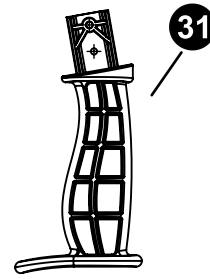
**38**  
POLE CAP  
3M-8997-00  
**(QTY. 1)**  
(Pre-assembled to  
Top Pole)



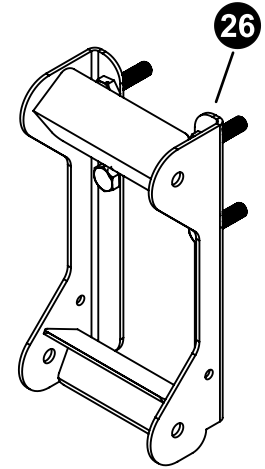
**55**  
SPRING  
5V-6041-00  
**(QTY. 1)**



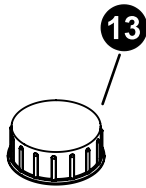
**40**  
ACTUATOR LOCK ASSEMBLY  
4A-8141-10  
**(QTY. 1)**



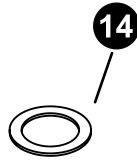
**31**  
ACTUATOR GRIP  
3M-9034-00  
**(QTY. 1)**



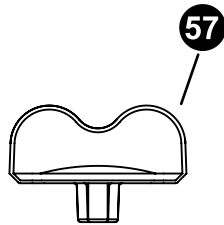
**26**  
BACKBOARD BOX  
1A-7905-00  
**(QTY. 1)**



**13**  
BALLAST CAP  
3M-8996-00  
**(QTY. 1)**  
(Pre-assembled to  
Ballast)



**14**  
BALLAST CAP WASHER  
3M-8999-00  
**(QTY. 1)**  
(Pre-assembled to  
Ballast Cap)



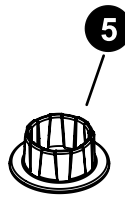
**57**  
Wheel Plug Key  
3M-9022-00  
**(QTY. 1)**  
(3/8" Allen Wrench  
can be substituted  
for Wheel plug key)



**25**  
BUSHING, BOARD ARM REINFORCEMENT PLATE  
3M-8994-00  
**(QTY. 4)**



**37**  
REINFORCEMENT PLATE  
8S-7711-00  
**(QTY. 1)**



**5**  
AXLE BUSHING  
3M-9003-00  
**(QTY. 2)**

**Wheel Assembly (Parts pre-assembled to wheel)**

**7**

Wheel  
3M-8992-00  
**(QTY. 2)**

**41**

WHEEL PLUG  
3M-9004-00  
**(QTY. 2)**

**42**

O-RING  
3M-8998-00  
**(QTY. 2)**  
(Pre-assembled to  
Wheel Plug)

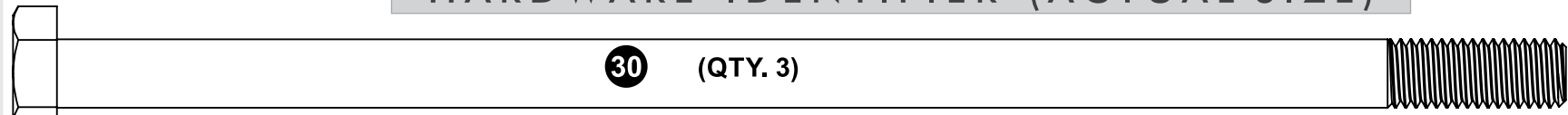
**8**

Wheel Hub, Outside  
3M-9001-00  
**(QTY. 2)**

**6**

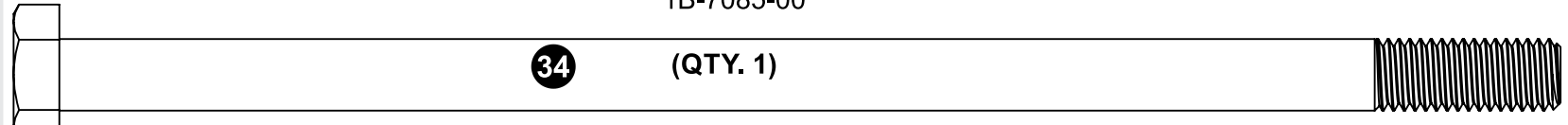
Wheel Hub, Inside  
3M-9002-00  
**(QTY. 2)**

# HARDWARE IDENTIFIER (ACTUAL SIZE)



**30** (QTY. 3)

HEX HEAD BOLT M10-1.5 X 220mm  
1B-7085-00



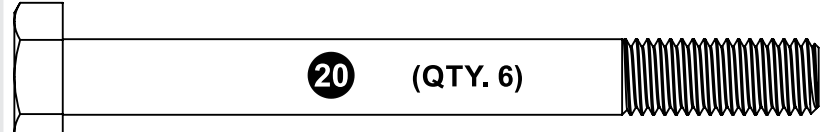
**34** (QTY. 1)

HEX HEAD BOLT M10-1.5 X 210mm  
1B-7080-00



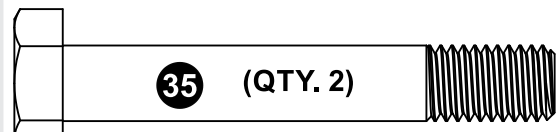
**22** (QTY. 3)

HEX HEAD BOLT M10-1.5 X 110mm  
1B-7079-00



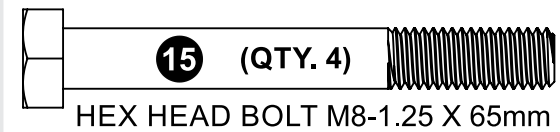
**20** (QTY. 6)

HEX HEAD BOLT M10-1.5 X 100mm  
1B-7078-00



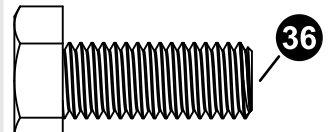
**35** (QTY. 2)

HEX HEAD BOLT M10-1.5 X 65mm  
1B-7081-00



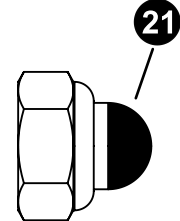
**15** (QTY. 4)

HEX HEAD BOLT M8-1.25 X 65mm  
1B-7077-00



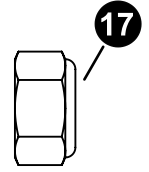
**36**

HEX HEAD BOLT M10-1.5 X 25mm  
1B-7082-00  
(QTY. 2)



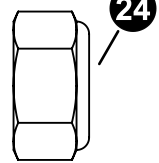
**21**

HEX NUT M10-1.5, WITH CAP  
2B-6799-00  
(QTY. 6)



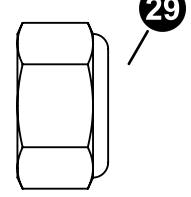
**17**

Hex Lock Nut M8-1.25  
2B-6808-00  
(QTY. 4)



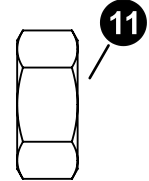
**24**

HEX LOCK NUT M10-1.5  
2B-6801-00  
(QTY. 15)



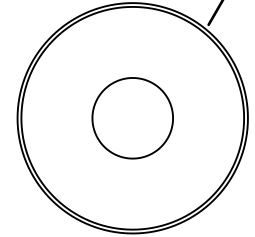
**29**

HEX LOCK NUT M12-1.75  
2B-6805-00  
(QTY. 4)



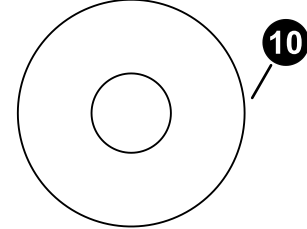
**11**

HEX NUT M10-1.5  
2B-6796-00  
(QTY. 1)



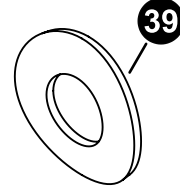
**27**

WASHER, NYLON  
3M-9000-00  
(QTY. 4)



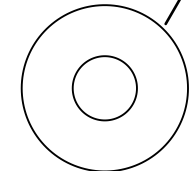
**10**

WASHER M10 X 30mm  
2B-6795-00  
(QTY. 2)



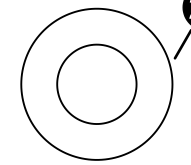
**39**

WASHER\_CURVED M10  
2B-6802-00  
(QTY. 5)



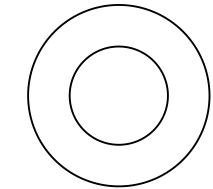
**16**

WASHER M8  
2B-6797-00  
(QTY. 8)



**23**

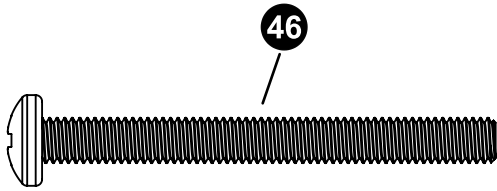
WASHER M10  
2B-6800-00  
(QTY. 24)



**28**

WASHER M12 X 24mm OD  
2B-6804-00  
(QTY. 4)

# HARDWARE IDENTIFIER (ACTUAL SIZE)



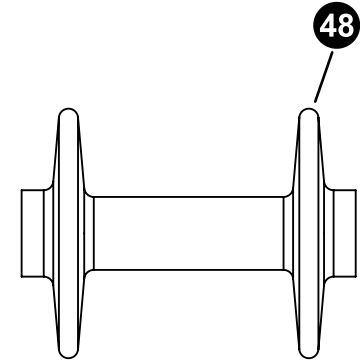
46

Philips Head Screw M6-1 X 60mm  
1B-7123-00  
(QTY. 1)



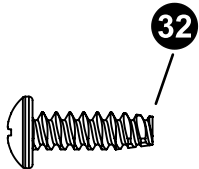
47

HEX LOCK NUT M6-1  
2B-6803-00  
(QTY. 1)



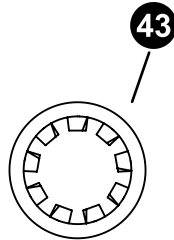
48

ACTUATOR ROLLER  
3M-9035-00  
(QTY. 1)



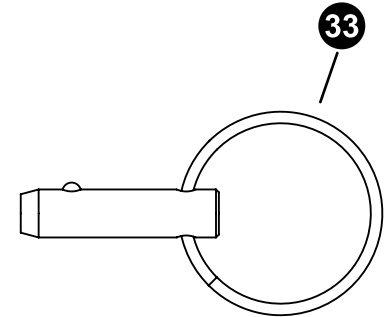
32

#10-14 X 0.63 Trilobular Screw for Plastic  
1B-7084-00  
(QTY. 2)



43

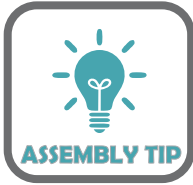
WASHER, LOCK INTERNAL-TOOTH  
2B-6806-00  
(QTY. 1)



33

HITCH PIN  
7B-6577-00  
(QTY. 2)





The following pages will have a picture of the **Hardware Needed** along with the Quantity, Part Number and Description. You can lay the hardware on the picture to identify the hardware.

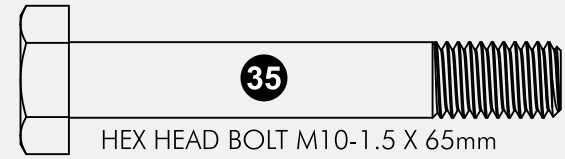
**NOTE:**

Prepare a flat area that is clear of debris. Keep children away from the assembly area. Two capable adults are needed for the following steps.

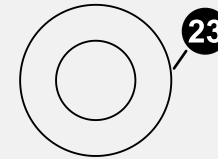
1. Assemble parts 2 & 3 as shown. **Tighten hardware finger tight only.**



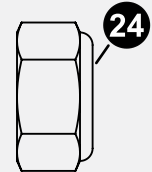
**HARDWARE NEEDED (ACTUAL SIZE)**



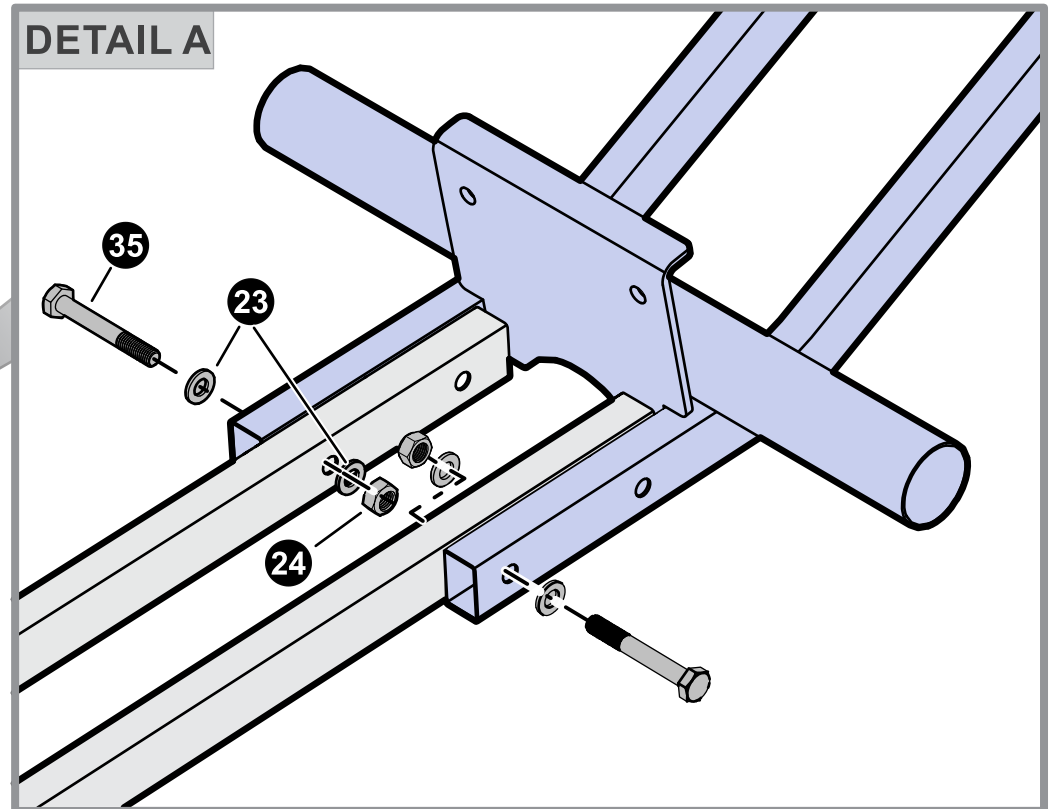
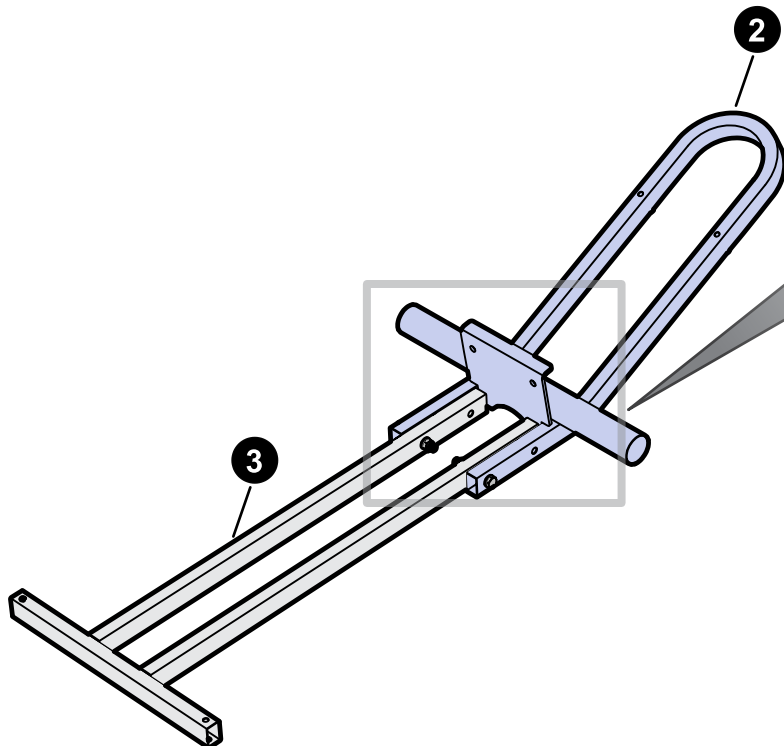
HEX HEAD BOLT M10-1.5 X 65mm  
1B-7081-00  
**(QTY. 2)**



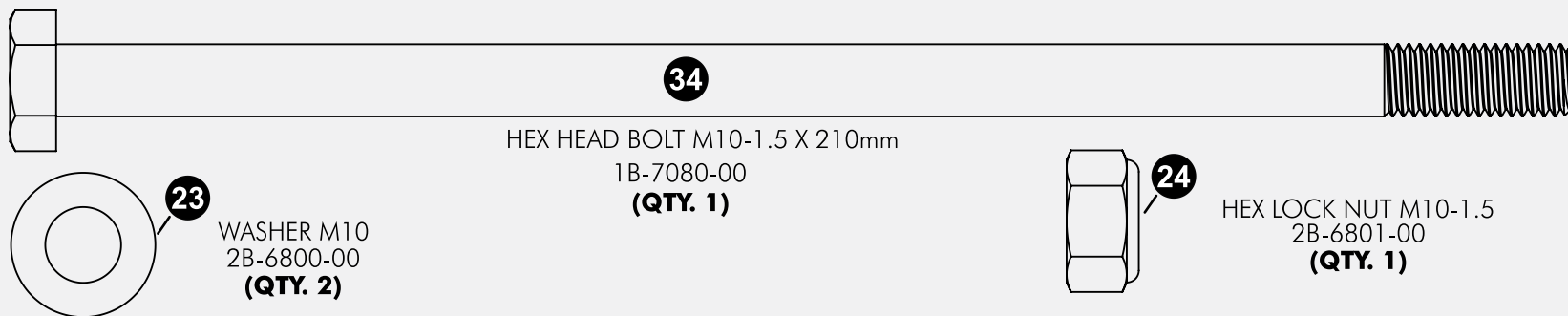
WASHER M10  
2B-6800-00  
**(QTY. 4)**



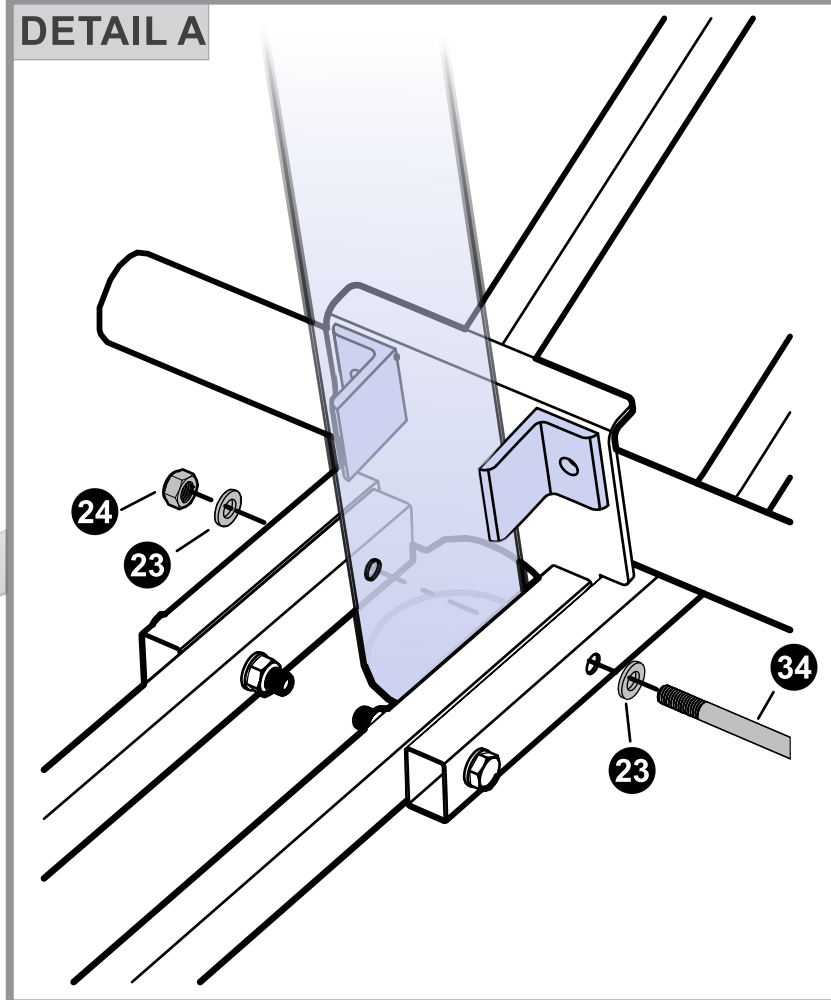
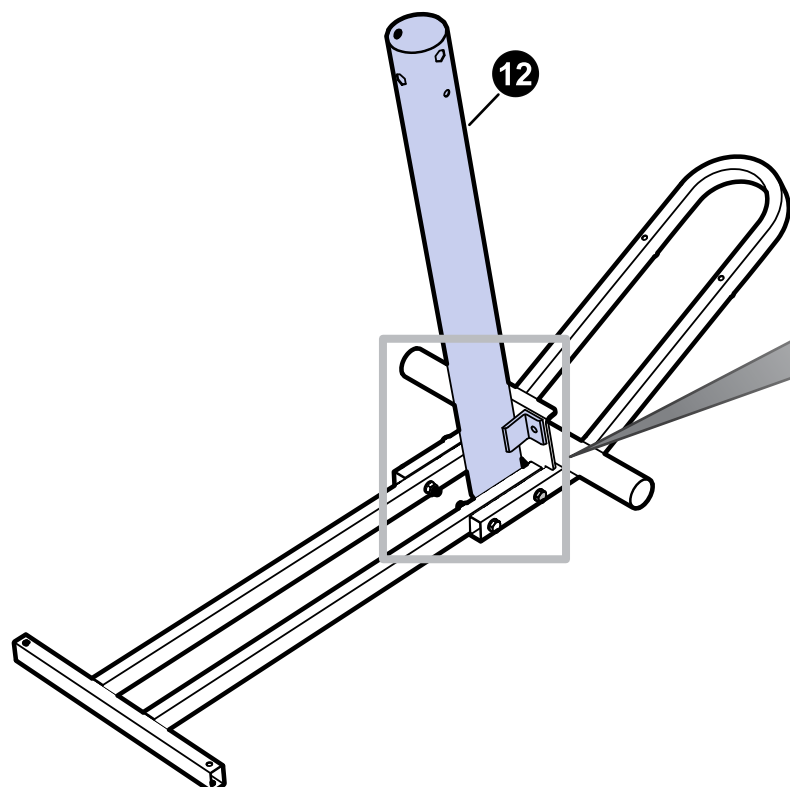
HEX LOCK NUT M10-1.5  
2B-6801-00  
**(QTY. 2)**



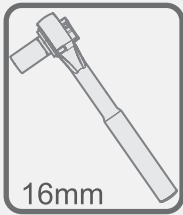
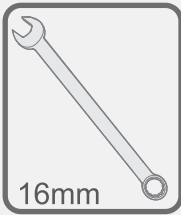
## HARDWARE NEEDED (ACTUAL SIZE)



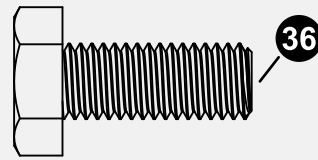
2. Attach lower pole (12) to lower assembly. Line up the holes in the four tubes and lower pole and attach hardware as shown in **Detail A**. **Tighten hardware finger tight only.**



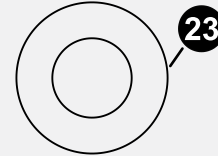
### TOOLS NEEDED



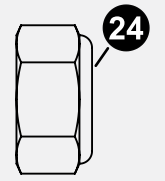
### HARDWARE NEEDED (ACTUAL SIZE)



HEX HEAD BOLT M10-1.5 X 25mm  
1B-7082-00  
**(QTY. 2)**

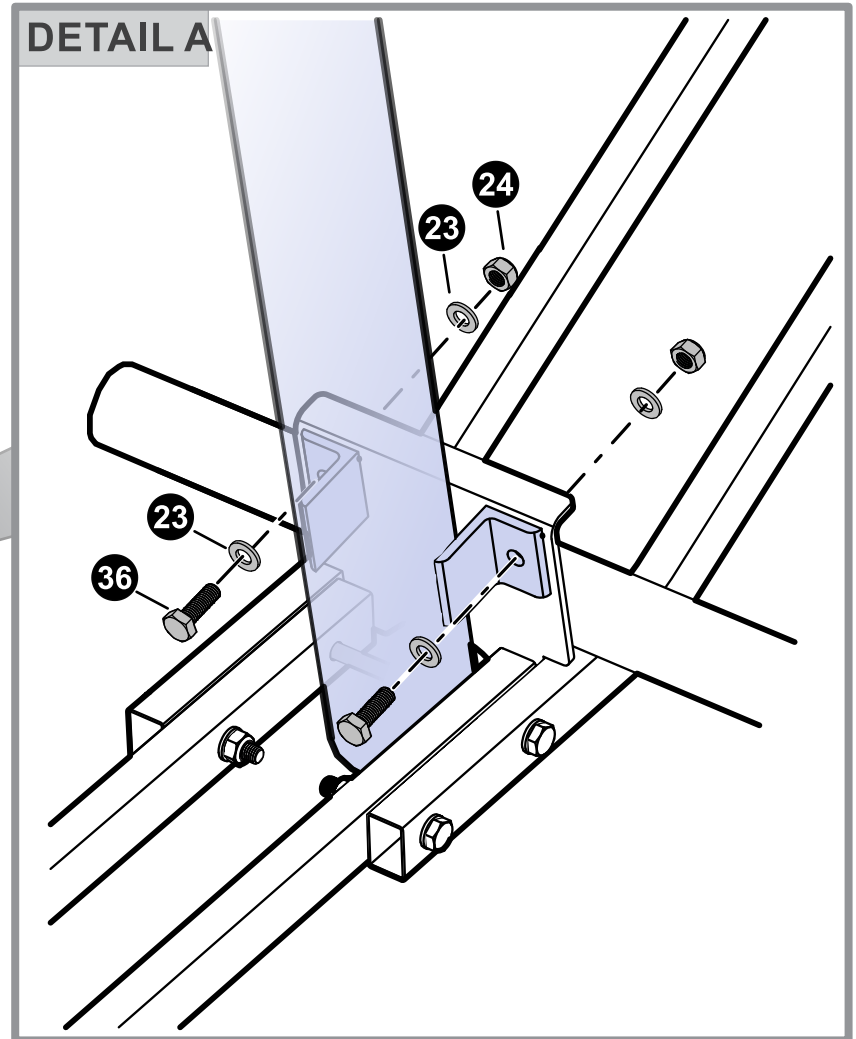
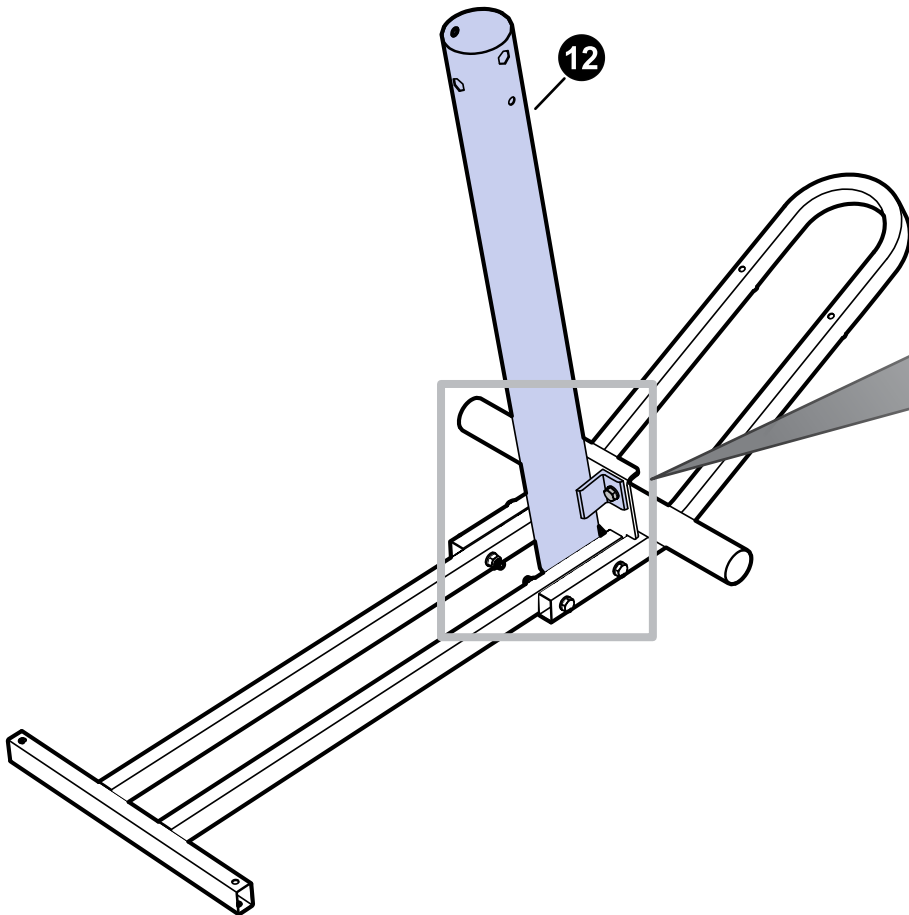


WASHER M10  
2B-6800-00  
**(QTY. 4)**



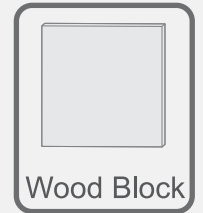
HEX LOCK NUT M10-1.5  
2B-6801-00  
**(QTY. 2)**

3. Finish securing lower pole (12) to lower assembly as shown. **Tighten all hardware at this time** including hardware from **step 1 & 2**.



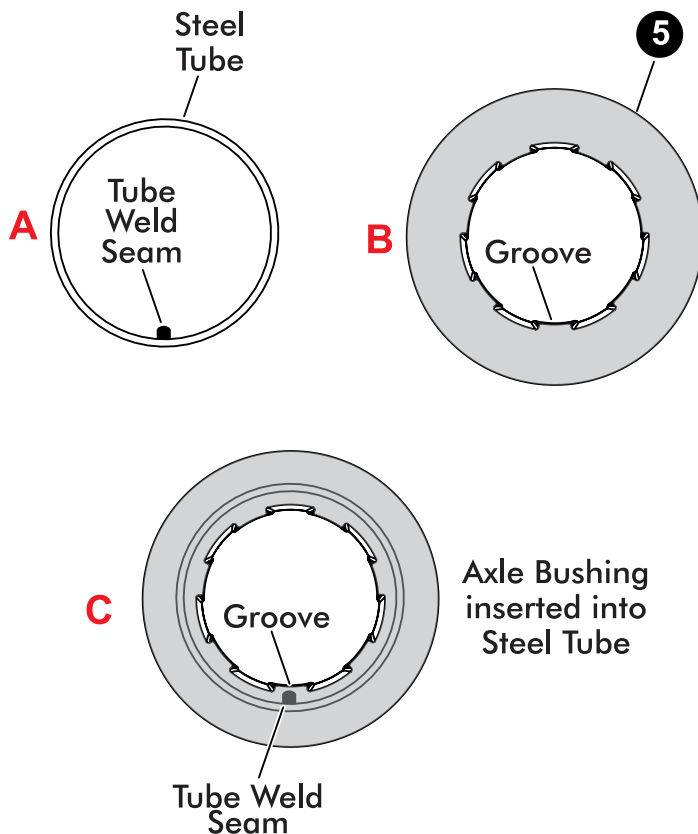
- Before Inserting Axle Bushings (5) into the lower assembly **Steel Tube**, align the bushings (5) so the **groove** goes over the **tube weld seam** without touching it. See **Detail A & Detail B**.
- Use a **wood block** and Rubber Mallet to gently tap the Axle Bushing into Steel Tube. Center Wood block onto Axle bushing and tap on the center of the block, do not tap on the edges of Axle bushing because it could damage it.

#### TOOLS NEEDED



#### DETAIL A

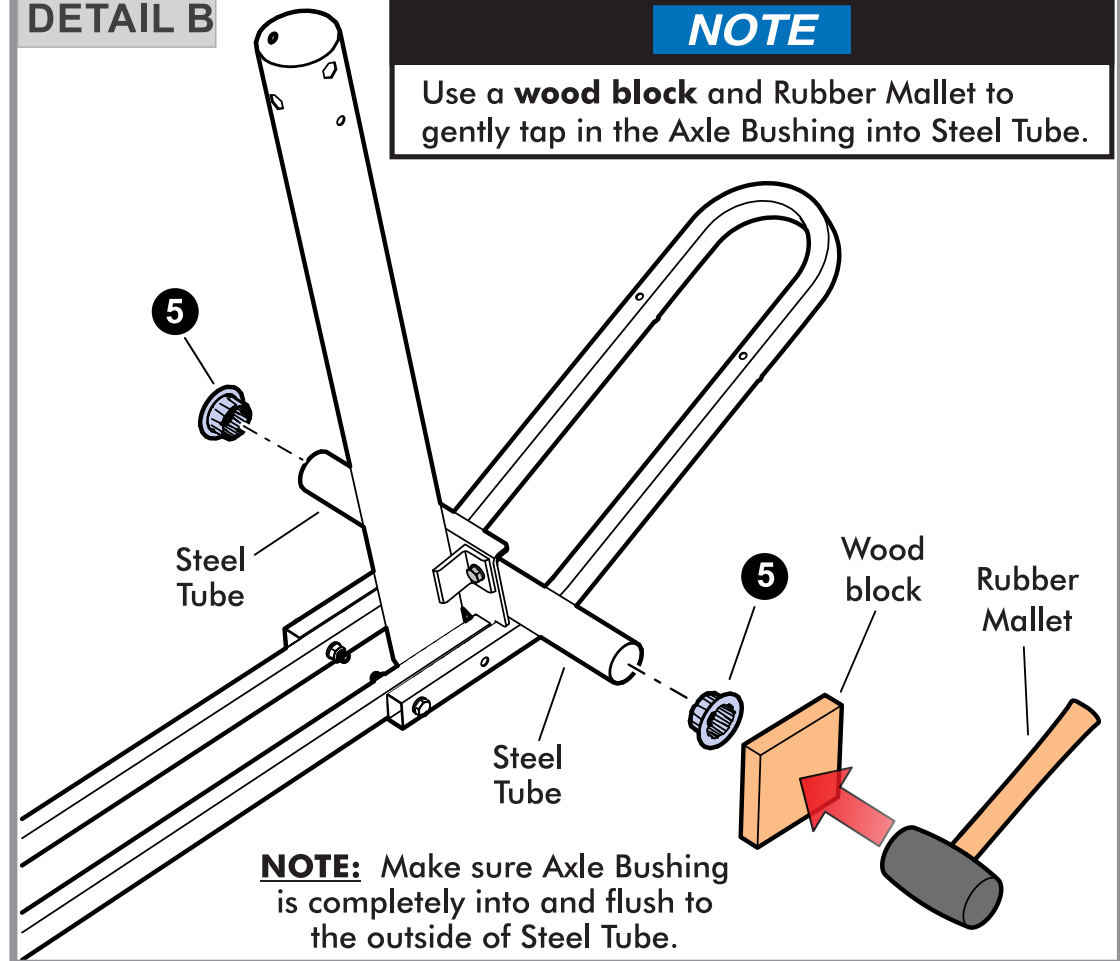
Side View of Steel tube and Axle Bushing (5).



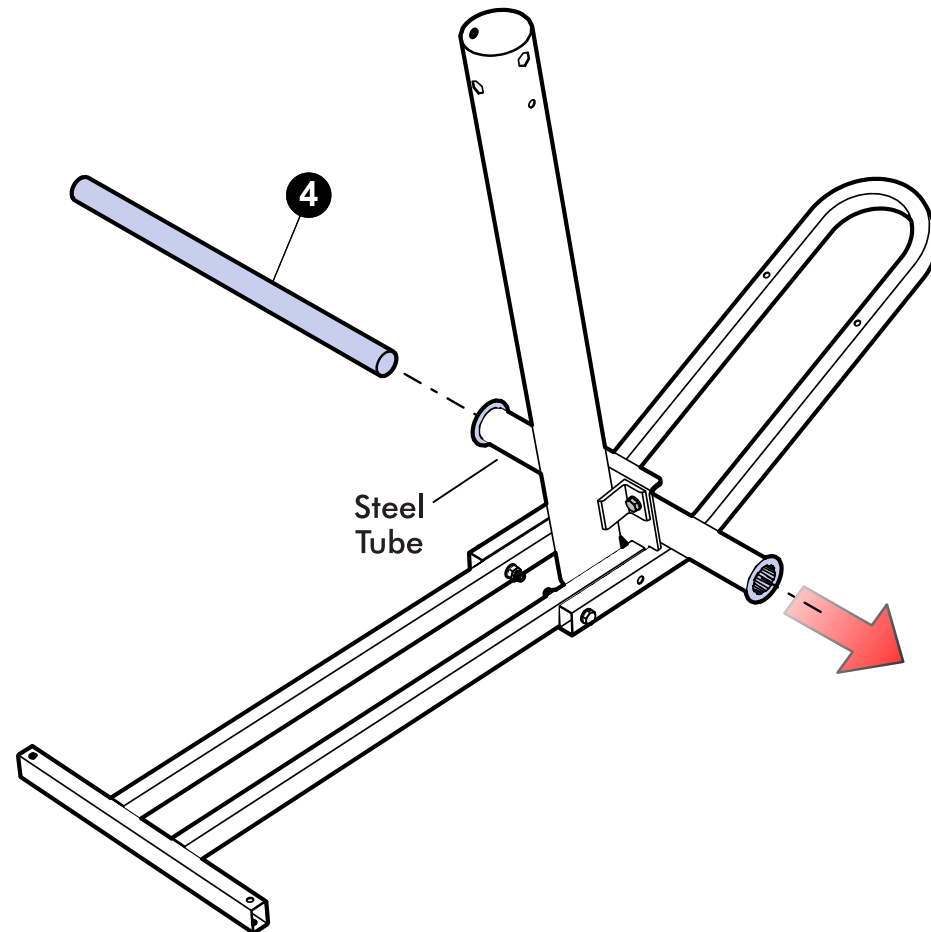
#### DETAIL B

#### NOTE

Use a **wood block** and Rubber Mallet to gently tap in the Axle Bushing into Steel Tube.



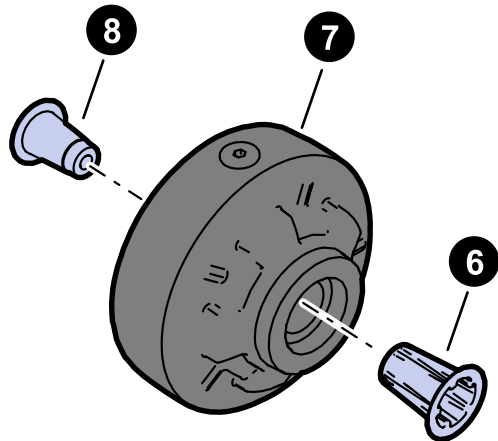
6. Insert Axle (4) into lower assembly Steel tube until both ends of the Axle stick out about the same distance on each side.



**NOTE:** Inner Wheel Hub (6) and Outer wheel (8) are pre-assembled into Wheel (7) by the factory. If either of those parts have fallen out during shipping re-insert parts as shown in **Detail A**.

7. Slide Wheel (7) onto Axle (4). Repeat step to install the second wheel. See **Detail B**.

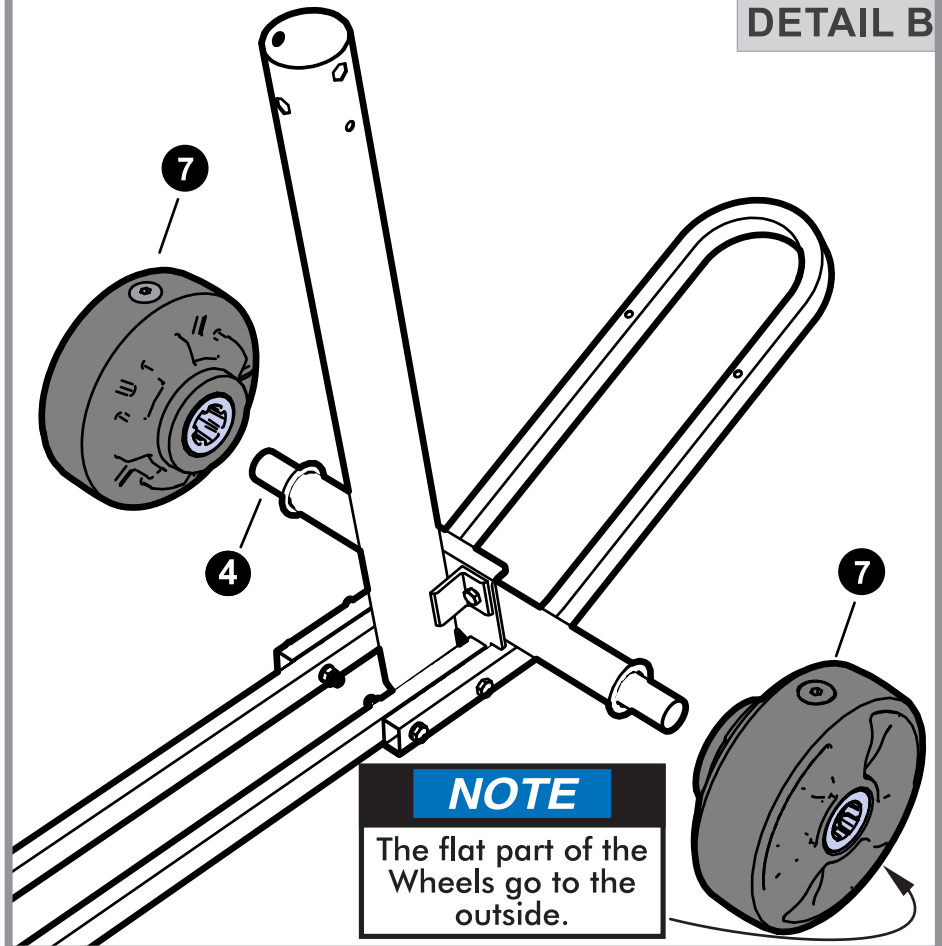
#### DETAIL A



#### NOTE

Inner Wheel Hub (6) and Outer wheel (8) are pre-assembled into Wheel (7) by the factory. If either of those parts have fallen out during shipping re-insert parts as shown in **Detail A**.

#### DETAIL B

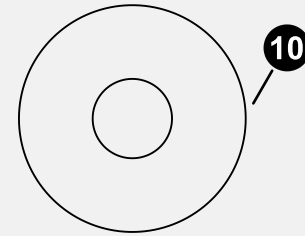


#### NOTE

The flat part of the Wheels go to the outside.

8. Insert Axle Rod (9), through Washer (10) and into Wheel assembly and axle until it reaches the other side of the Axle and wheel. Have a Second person hold second Wheel.

HARDWARE NEEDED (ACTUAL SIZE)

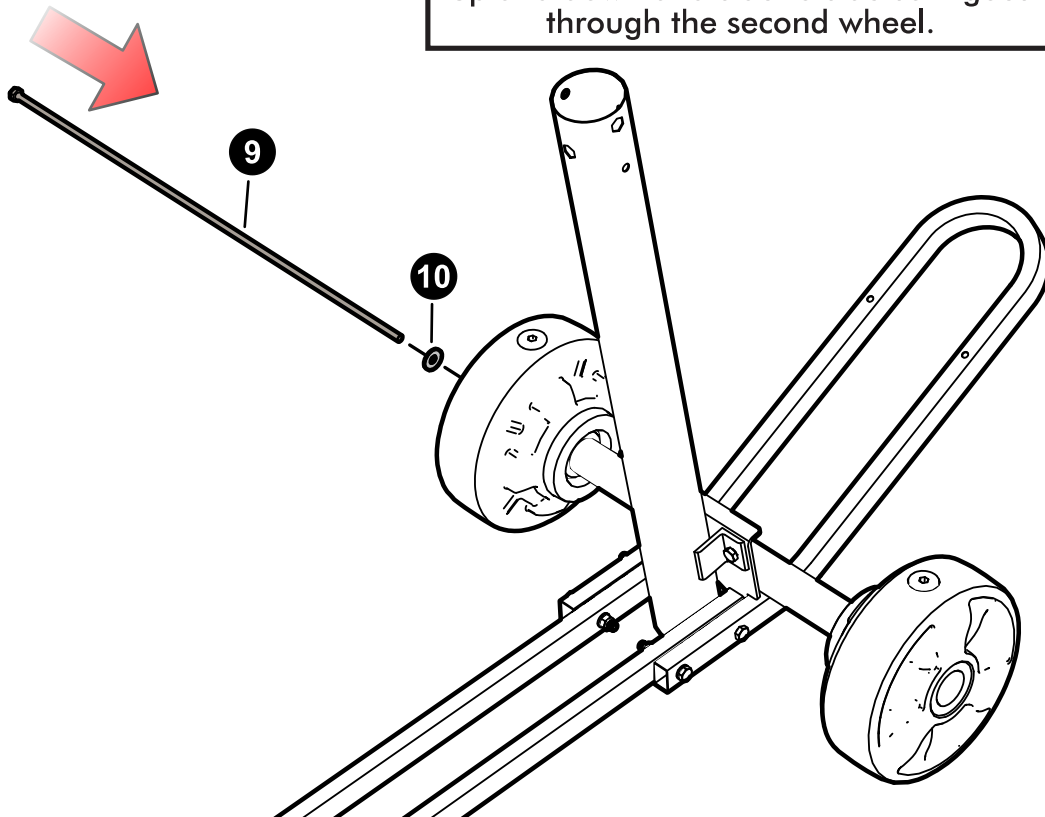


WASHER M10 X 30mm  
2B-6795-00  
**(QTY. 1)**

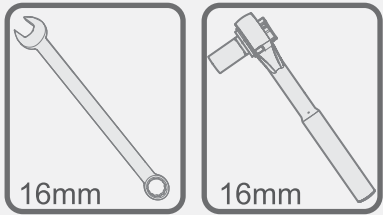
DETAIL A

**NOTE**

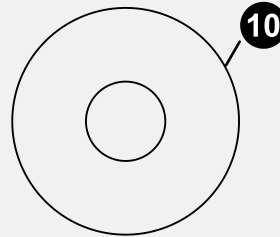
You may have to wiggle the **Axle Rod (9)** up and down and side to side so it goes through the second wheel.



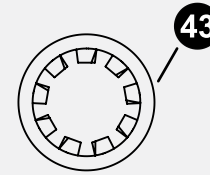
## TOOLS NEEDED



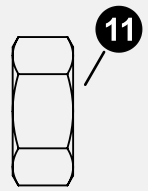
## HARDWARE NEEDED (ACTUAL SIZE)



WASHER M10 X 30mm  
2B-6795-00  
**(QTY. 1)**



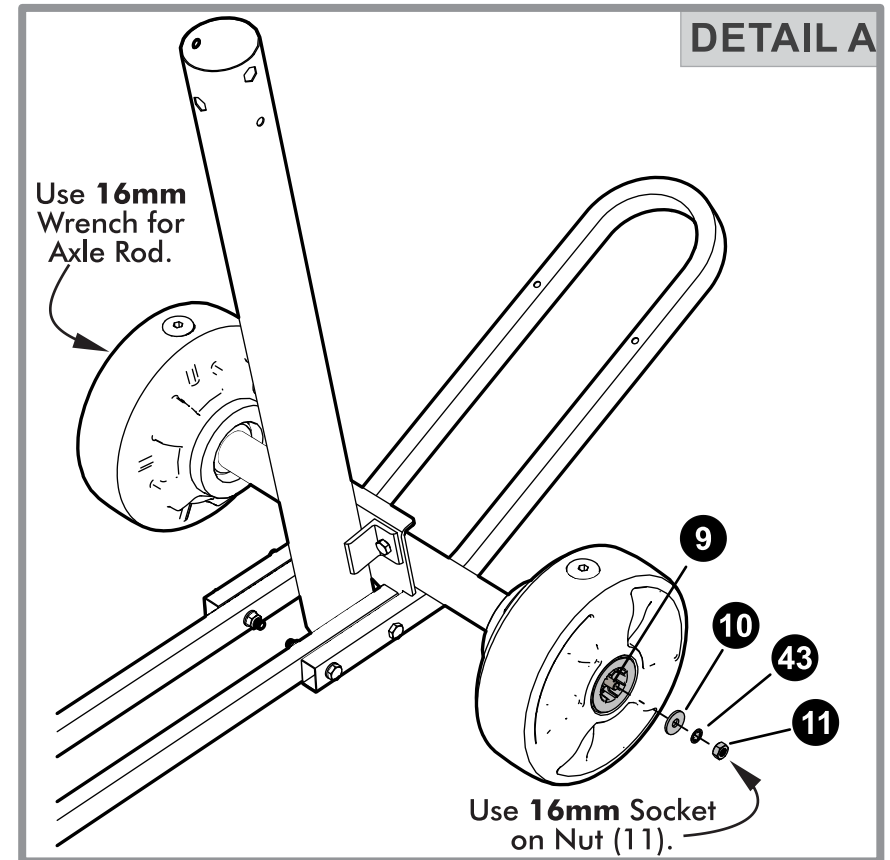
WASHER, LOCK INTERNAL-TOOTH  
2B-6806-00  
**(QTY. 1)**



HEX NUT M10-1.5  
2B-6796-00  
**(QTY. 1)**

9. Secure Axle Rod (9) with Washer (10), Lock Tooth Washer (43) and Hex Nut (11). Tighten Nut (11) until there's about 1/4" of thread of the Axle Rod **sticking out of nut**. **Do not overtighten. See Detail A.**

**NOTE:** Wheels must spin freely, there should also be some side to side play on both wheels.

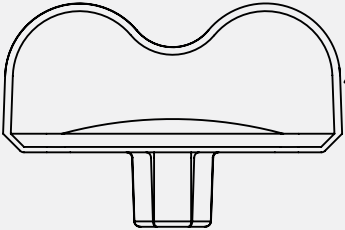




10. Unscrew the Wheel cap (41) and remove, O-ring (42) is pre-attached to Wheel cap. Fill both wheels with water until 75% full (approx. 1 gal.) and screw Wheel cap back into the wheel with Wheel Plug key (57). Make sure that O-ring is attached to Wheel Cap. See **Detail A**.

11. Carefully slide Ballast (1) over Lower Pole as shown.

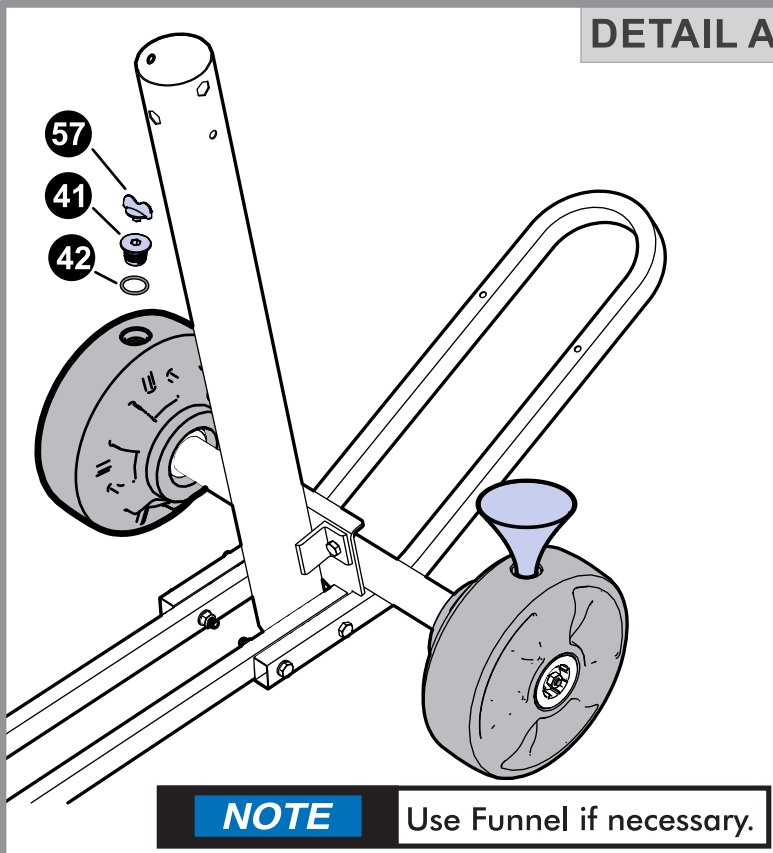
**HARDWARE NEEDED**



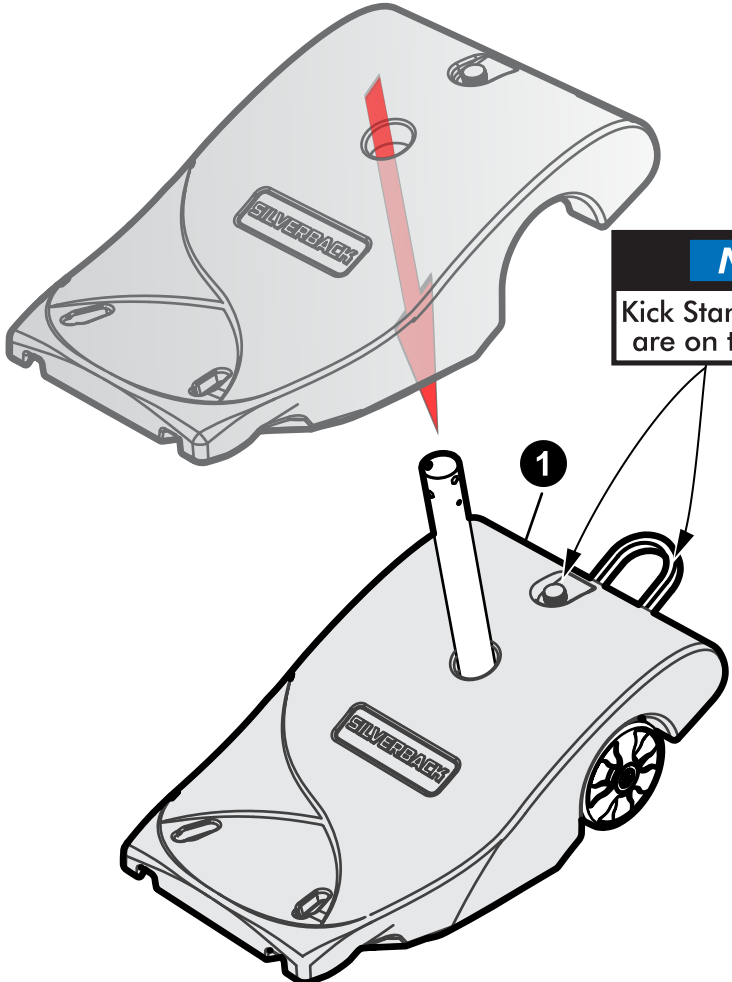
WHEEL PLUG KEY  
3M-9022-00  
**(QTY. 1)**

**NOTE:** 3/8" Allen Wrench can be substituted for Wheel Plug Key.

**DETAIL A**



**NOTE** Use Funnel if necessary.



**NOTE**  
Kick Stand and Fill Cap are on the same end.

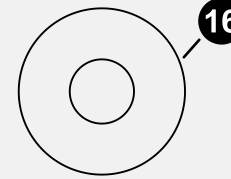
12. Attach Left Brace tube (19) and Right brace Tube (18). Match up the **green** color coded stickers on the Right Brace tube and the lower pole and match the **Red** color stickers on the Left Brace tube and Lower Pole as shown in **Detail A**. Insert the hardware through brace tubes, Ballast and Frame assembly as shown in **Detail B**.

**NOTE:** Finger Tighten only!

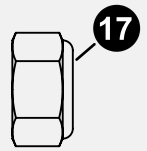
**HARDWARE NEEDED (ACTUAL SIZE)**



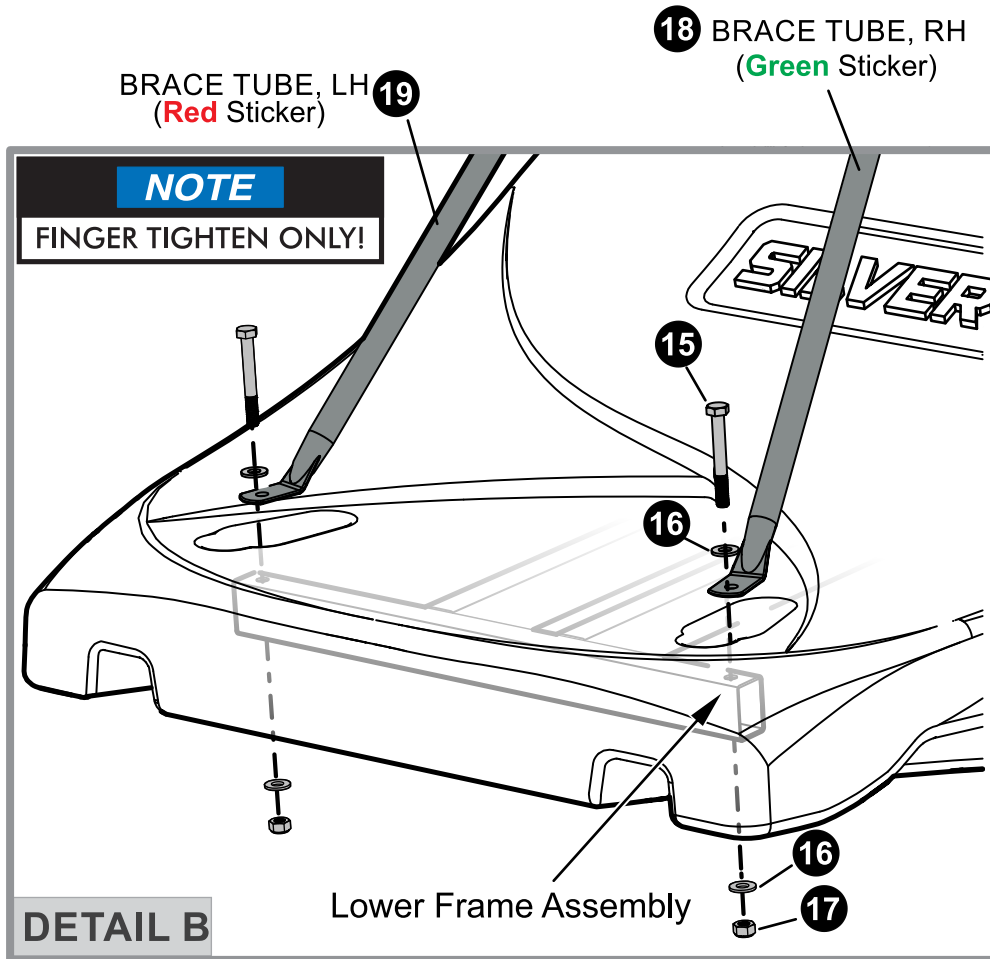
HEX HEAD BOLT M8-1.25 X 65mm  
1B-7077-00  
**(QTY. 2)**



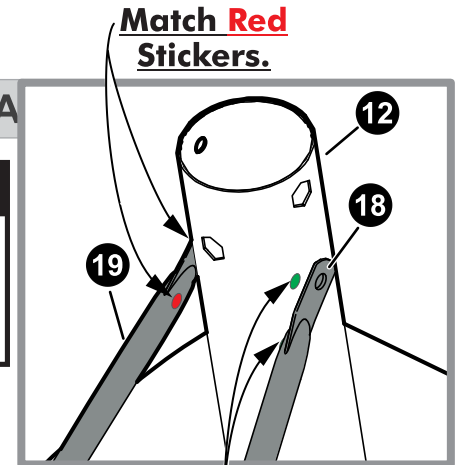
WASHER M8  
2B-6797-00  
**(QTY. 4)**



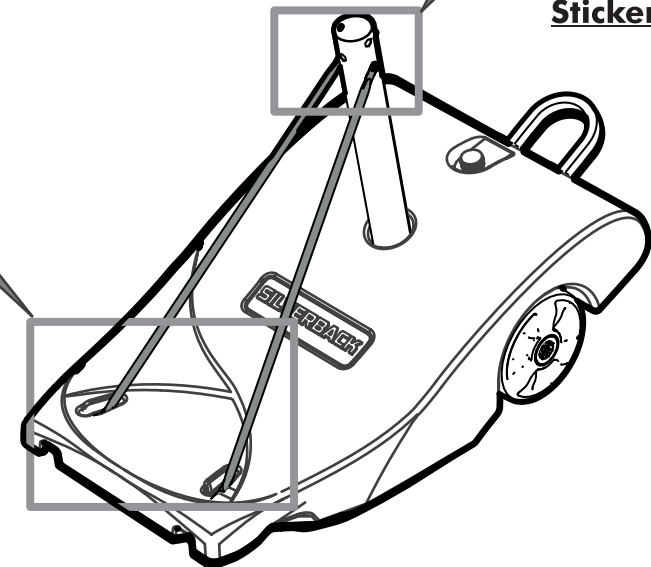
Hex Lock Nut M8-1.25  
2B-6808-00  
**(QTY. 2)**



**NOTE**  
**DO NOT INSERT A BOLT INTO LINKAGES (18,19) OR POLE (12) UNTIL STEP 15.**



**Match Green Stickers.**



13. Secure ballast to lower assembly as shown in **Detail A**. **Finger Tighten hardware.**

**NOTE:** If needed use your thumb to push bolt forward (see **Detail B**) and then down (see **Detail C**) so it goes in easier through ballast tabs and kick stand tube.

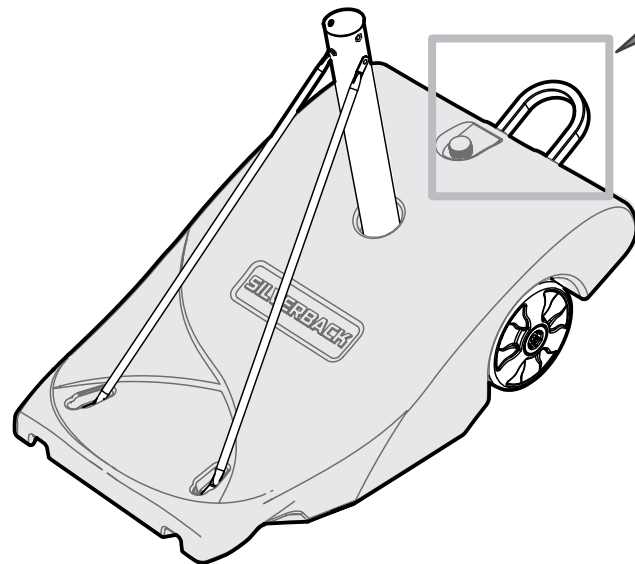
**HARDWARE NEEDED (ACTUAL SIZE)**



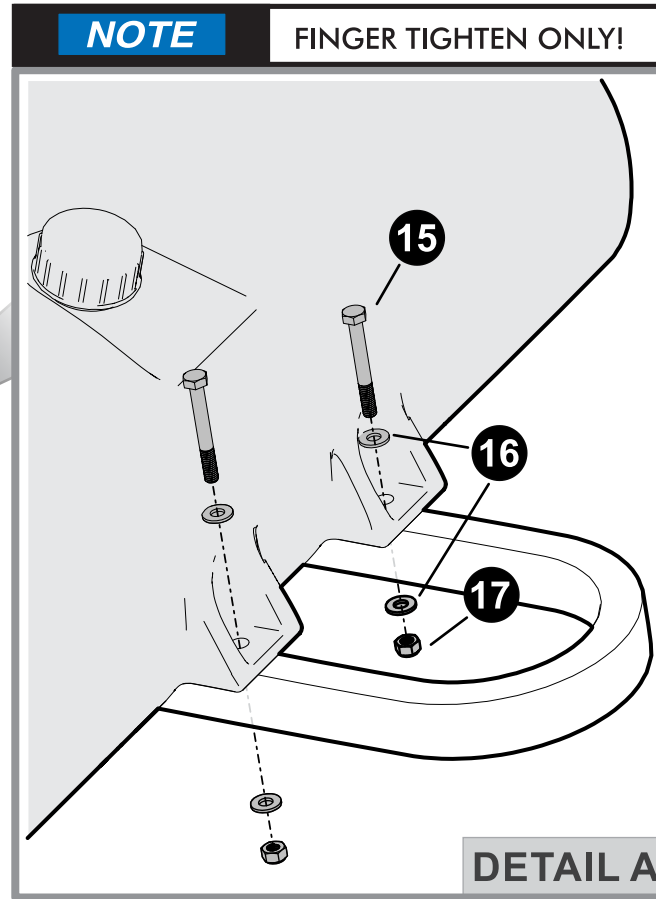
15  
HEX HEAD BOLT M8-1.25 X 65mm  
1B-7077-00  
**(QTY. 2)**

16  
WASHER M8  
2B-6797-00  
**(QTY. 4)**

17  
Hex Lock Nut M8-1.25  
2B-6808-00  
**(QTY. 2)**



**NOTE** FINGER TIGHTEN ONLY!



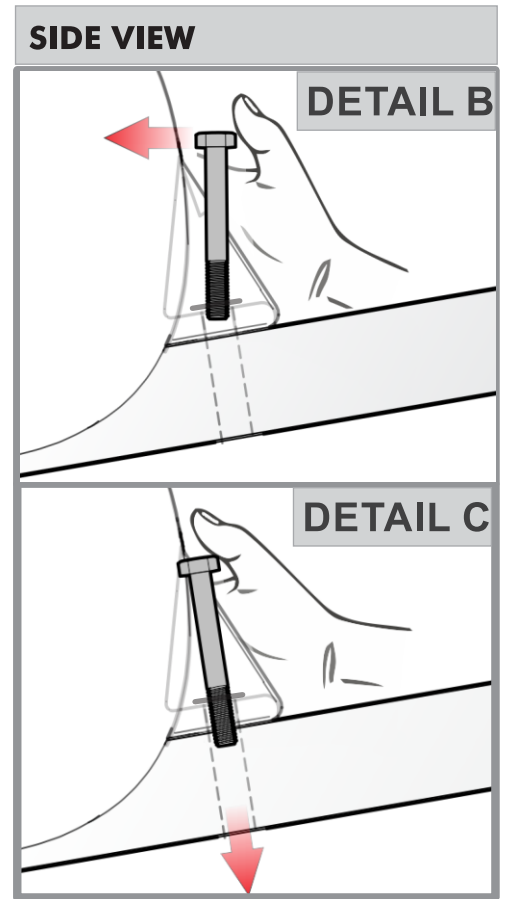
15

16

17

**DETAIL A**

**SIDE VIEW**

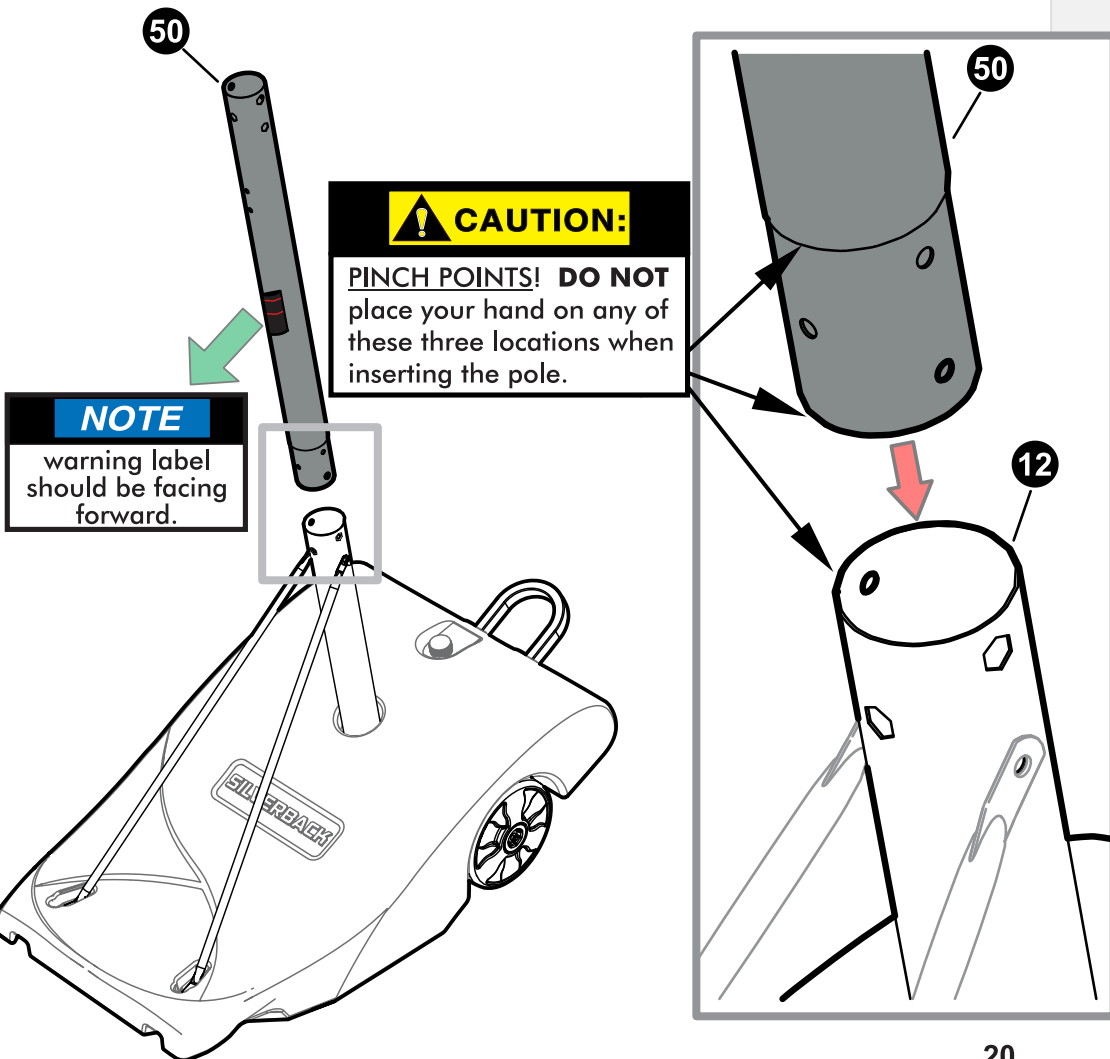


**DETAIL B**

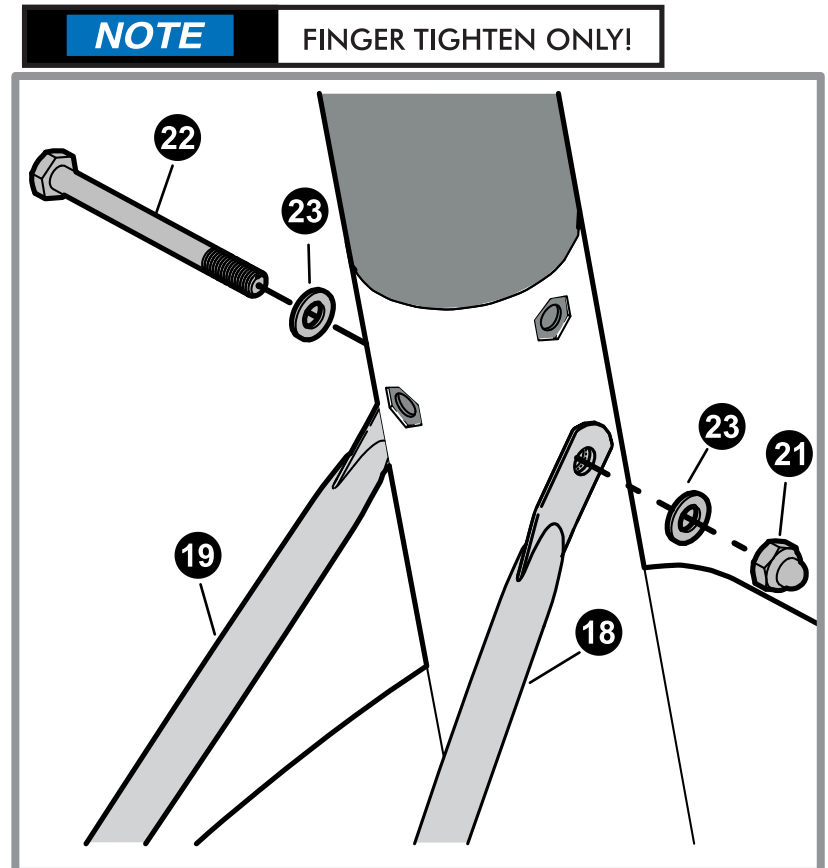
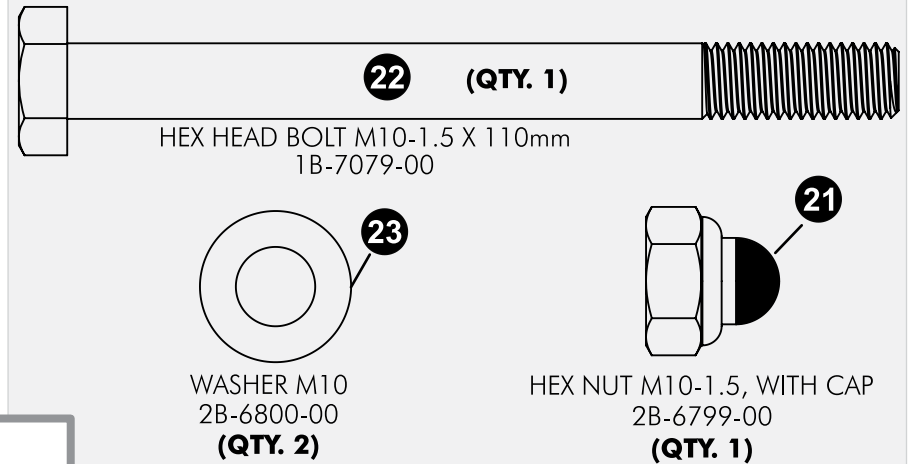
**DETAIL C**

14. Position Middle pole (50) with the Warning label facing forward, then slide Middle pole into Lower pole (12). Make sure that all holes are aligned in both poles.

15. Insert Bolt (22) through braces 18 & 19 and through both poles as shown. **Tighten hardware finger tight only.**



#### HARDWARE NEEDED (ACTUAL SIZE)

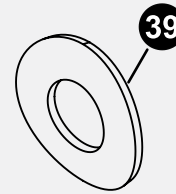


16. Secure pole with hardware shown. **Finger Tighten only.**

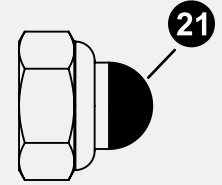
**HARDWARE NEEDED (ACTUAL SIZE)**



HEX HEAD BOLT M10-1.5 X 100mm  
1B-7078-00  
**(QTY. 2)**



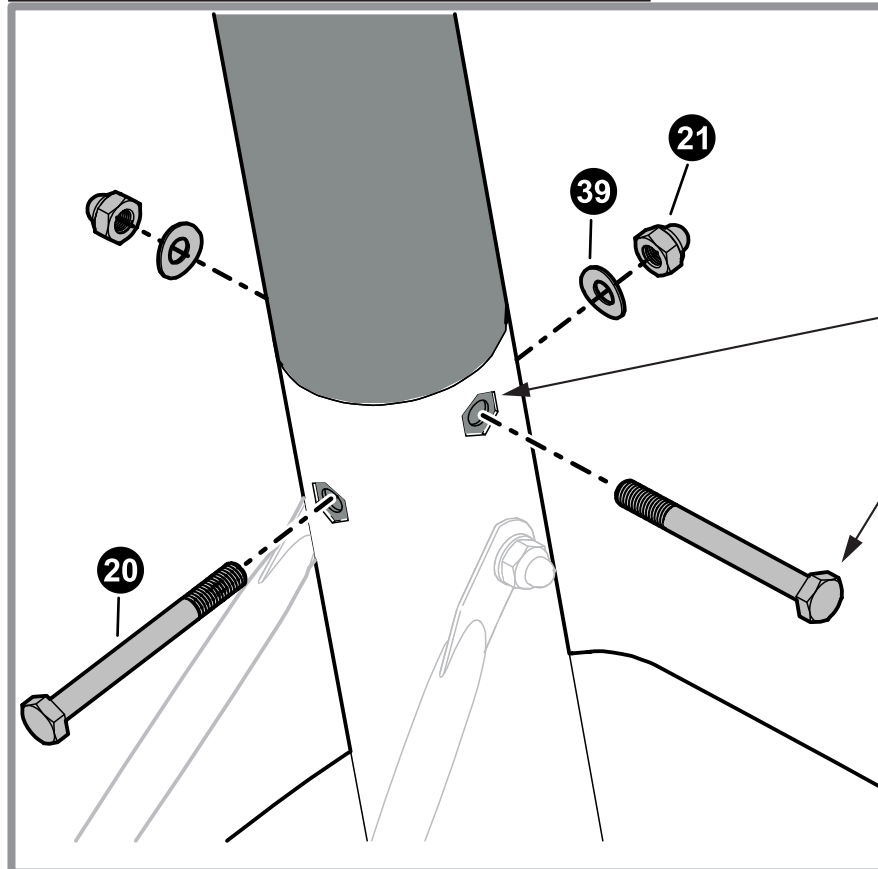
WASHER\_CURVED M10  
2B-6802-00  
**(QTY. 2)**



HEX NUT M10-1.5, WITH CAP  
2B-6799-00  
**(QTY. 2)**

**NOTE**

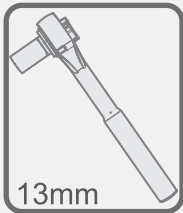
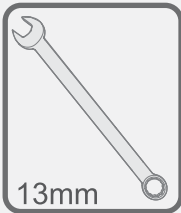
**FINGER TIGHTEN ONLY!**



**NOTE**

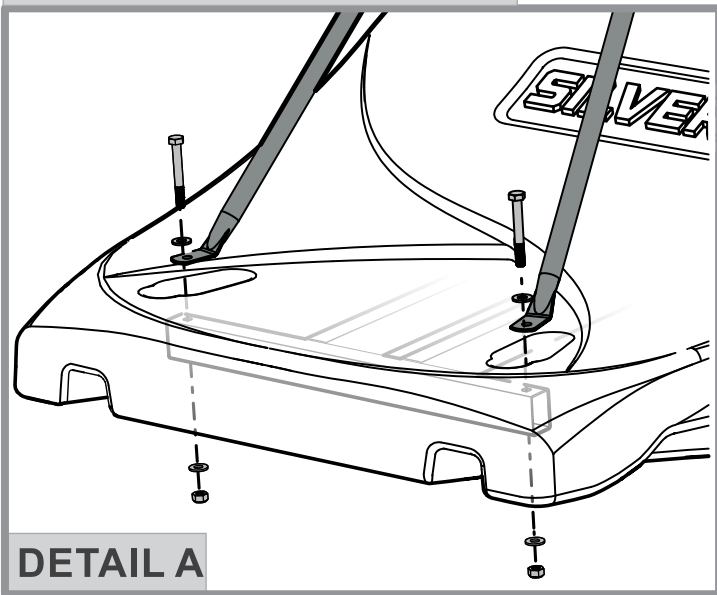
MAKE SURE HEADS OF THE BOLTS ARE INSERTED INTO THE CUT OUT OF THE POLE.

TOOLS NEEDED

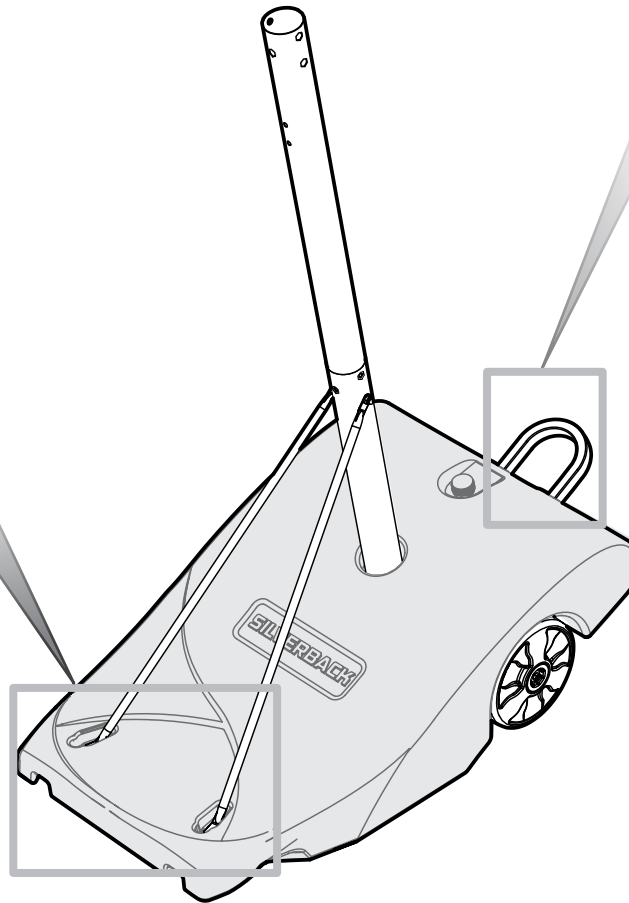
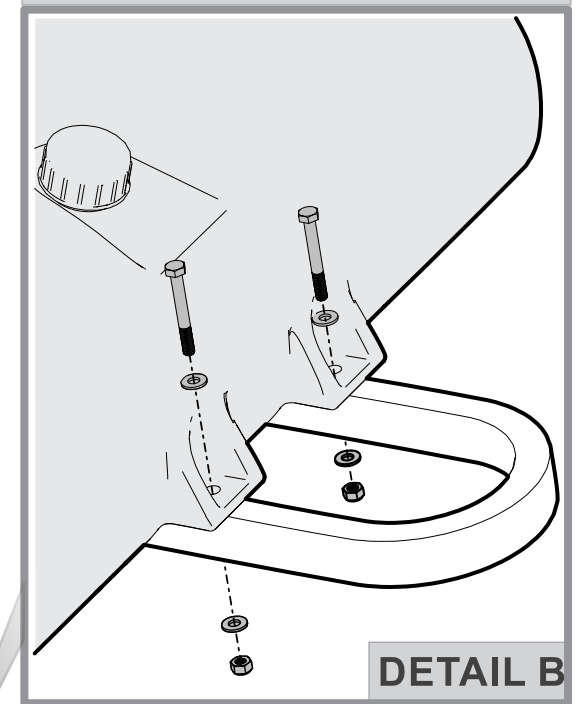


17. In this Step you will begin to tighten the hardware from previous steps in the following sequence: **First** tighten hardware shown in **Detail A**. **Second**, tighten hardware shown in **Detail B**. **TIGHTEN HARDWARE UNTIL SNUG.**

TIGHTEN THIS HARDWARE **FIRST**.

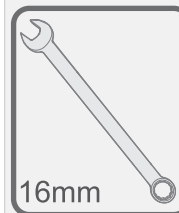


TIGHTEN THIS HARDWARE **SECOND**.



18. In this Step you will continue to tighten the hardware from previous steps: **First** tighten hardware shown in **Detail A**. **Second**, tighten hardware shown in **Detail B**. **TIGHTEN HARDWARE TIGHT BUT DO NOT CRUSH TUBE.**

#### TOOLS NEEDED



#### TIGHTEN THIS HARDWARE **FIRST**.

Use 16mm Wrench

Use 17mm Socket.

DETAIL A

#### TIGHTEN THIS HARDWARE **SECOND**.

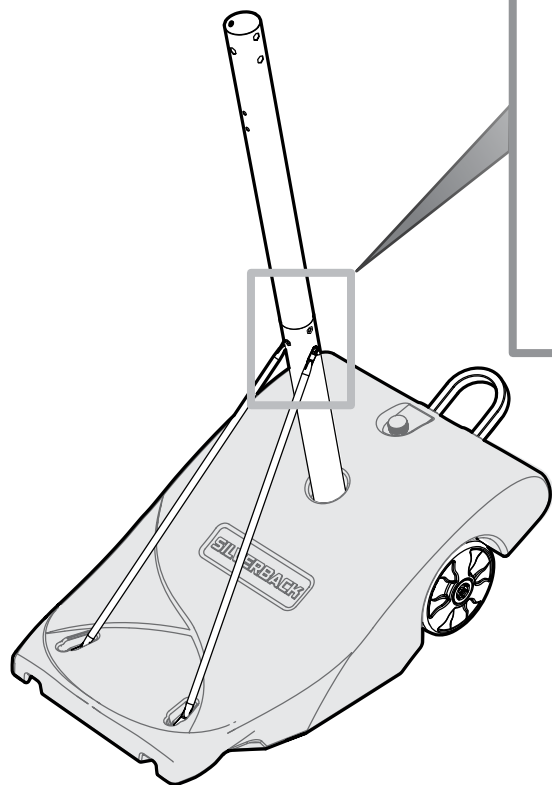
21  
Use 17mm Socket.

21  
TIGHTEN THIS NUT **LAST**, use 17mm Socket.

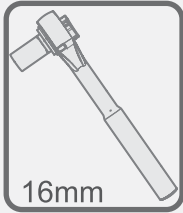
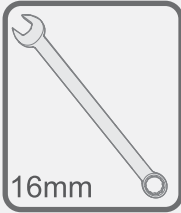
DETAIL B

#### **NOTE**

MAKE SURE HEADS OF THE BOLTS ARE INSERTED INTO THE CUT OUT OF THE POLE, IF NEEDED USE YOUR THUMB TO HOLD THE BOLTS IN PLACE THEN USE A RATCHET AND 17MM SOCKET ON NUTS (21). TIGHTEN HARDWARE TIGHT BUT **DO NOT CRUSH TUBE.**



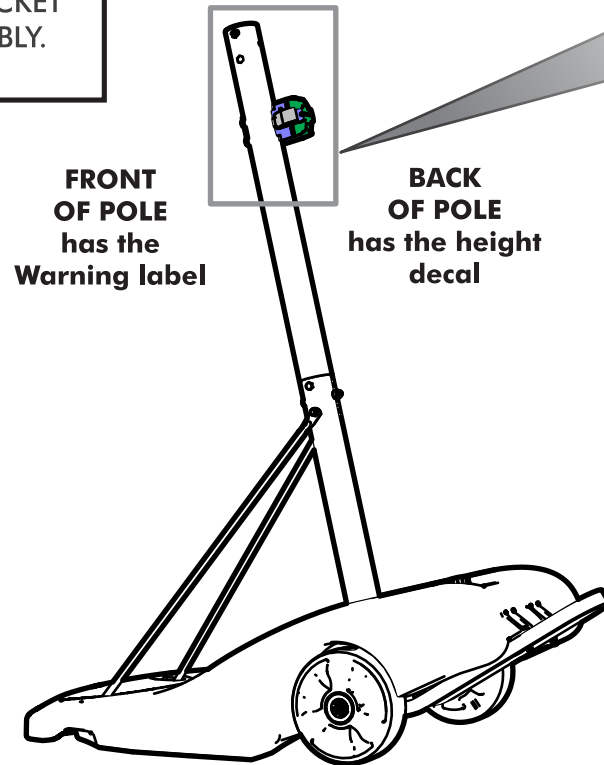
## TOOLS NEEDED



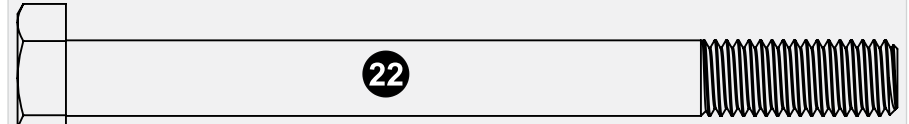
19. Attach the reinforcement plate (37) to the front of the pole (on the side that has the Warning label) with 2 bolts (22). Hex heads should be facing front of the unit. Slide Actuator lock Assembly (40) and attach with Nuts (24).

### NOTE

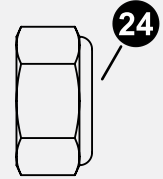
USE A 16MM WRENCH TO HOLD NUTS (24) IN PLACE AND A RATCHET WITH 16MM SOCKET ON BOLTS (22) TO TIGHTEN THE ASSEMBLY. TIGHTEN UNTIL SNUG.



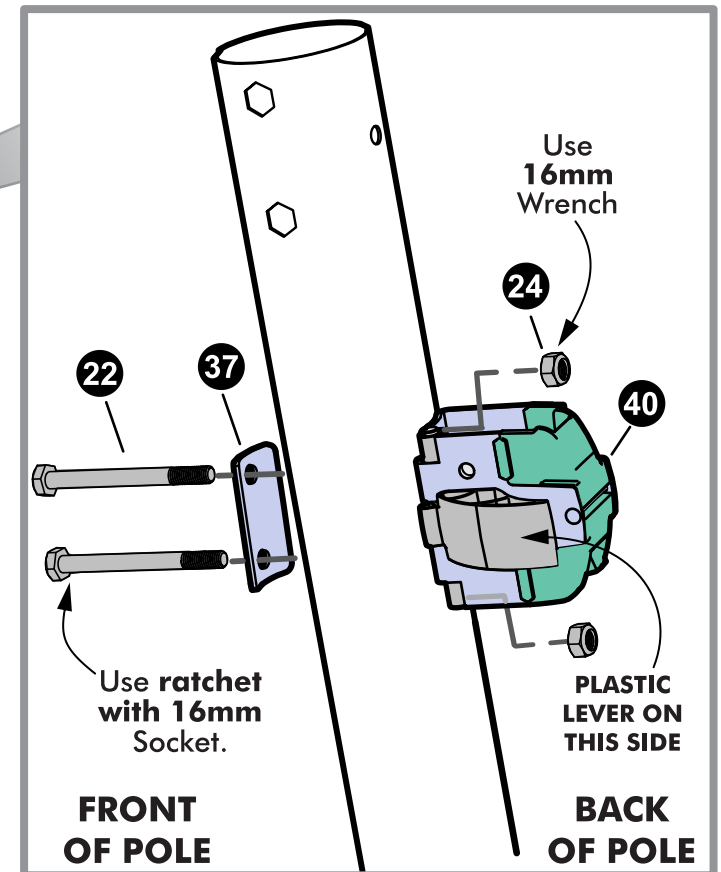
## HARDWARE NEEDED (ACTUAL SIZE)



HEX HEAD BOLT M10-1.5 X 110mm  
1B-7079-00  
(QTY. 2)

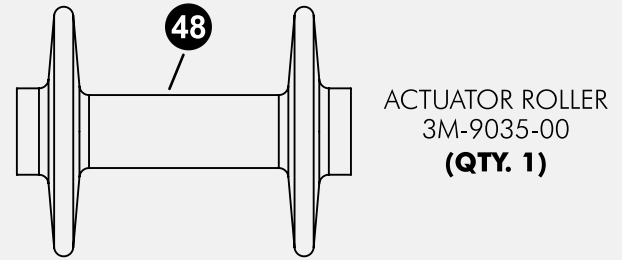
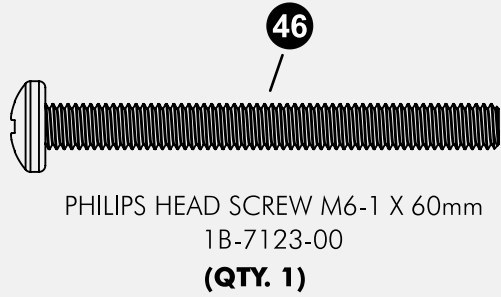


HEX LOCK NUT M10-1.5  
2B-6801-00  
(QTY. 2)





## HARDWARE NEEDED (ACTUAL SIZE)

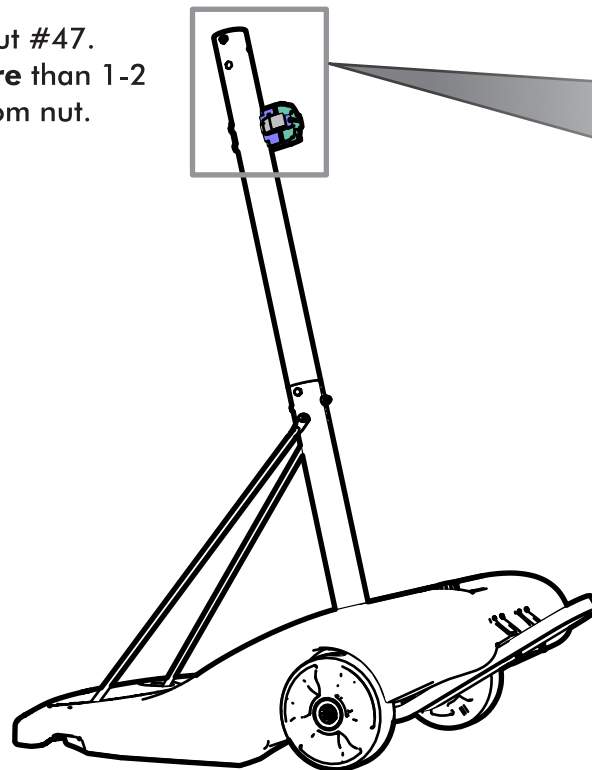
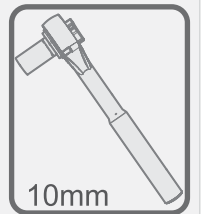


20. Insert Screw (46) through Actuator bracket, Actuator Roller (48) and through other side of Actuator bracket. Fasten with (47) nut.

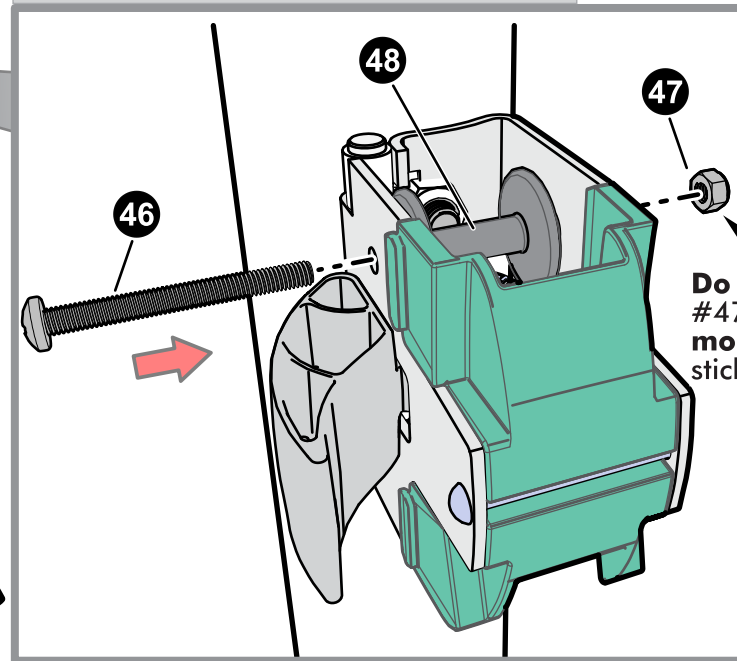
### NOTE:

**Do not** over-tighten nut #47. There must be **no more** than 1-2 threads sticking out from nut.

## TOOLS NEEDED



Actuator roller #48 must rotate freely.



**Do not** over-tighten nut #47. There must be **no more** than 1-2 threads sticking out from nut.

**NOTE:** If your Top Pole (51) has the Pole Cap (38) pre-installed skip step 21.

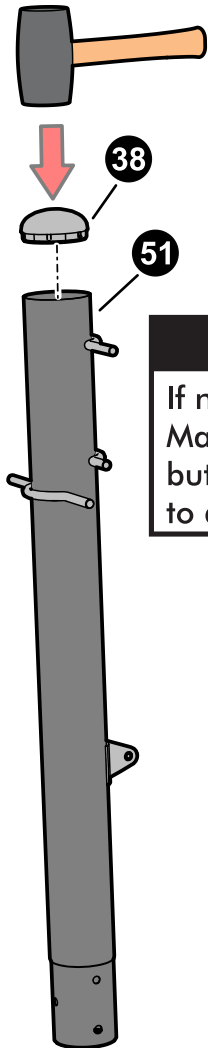
21. Set the top pole (51) on a piece of cardboard to protect the bottom of the pole. Insert the Pole Cap (38) at the top of the pole as shown in **Detail A**.

22. Insert Top Pole (51) into Middle Pole (50). Make sure that the Spring Bracket on Top pole is on the same side as Actuator bracket on Middle Pole. See **Detail B**.

#### TOOLS NEEDED



#### DETAIL A



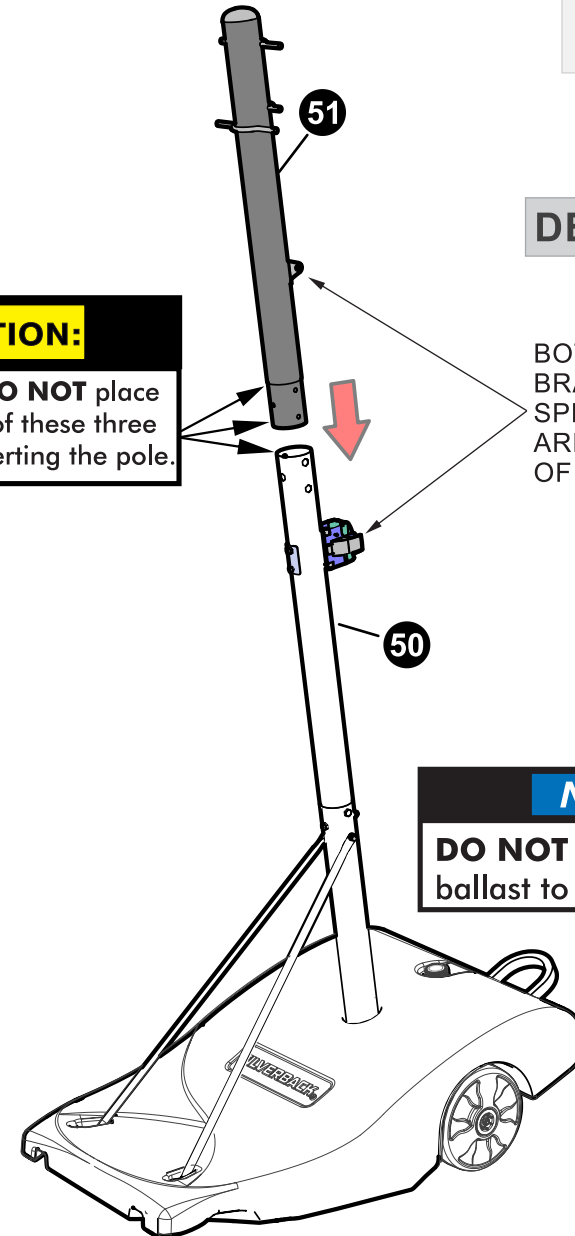
#### NOTE

If needed use a Rubber Mallet to tap Cap in but be very careful not to damage it.

#### CAUTION:

**PINCH POINTS! DO NOT** place your hand on any of these three locations when inserting the pole.

#### DETAIL B



**BOTH ACTUATOR BRACKET AND SPRING BRACKET ARE ON THE BACK OF THE POLES.**

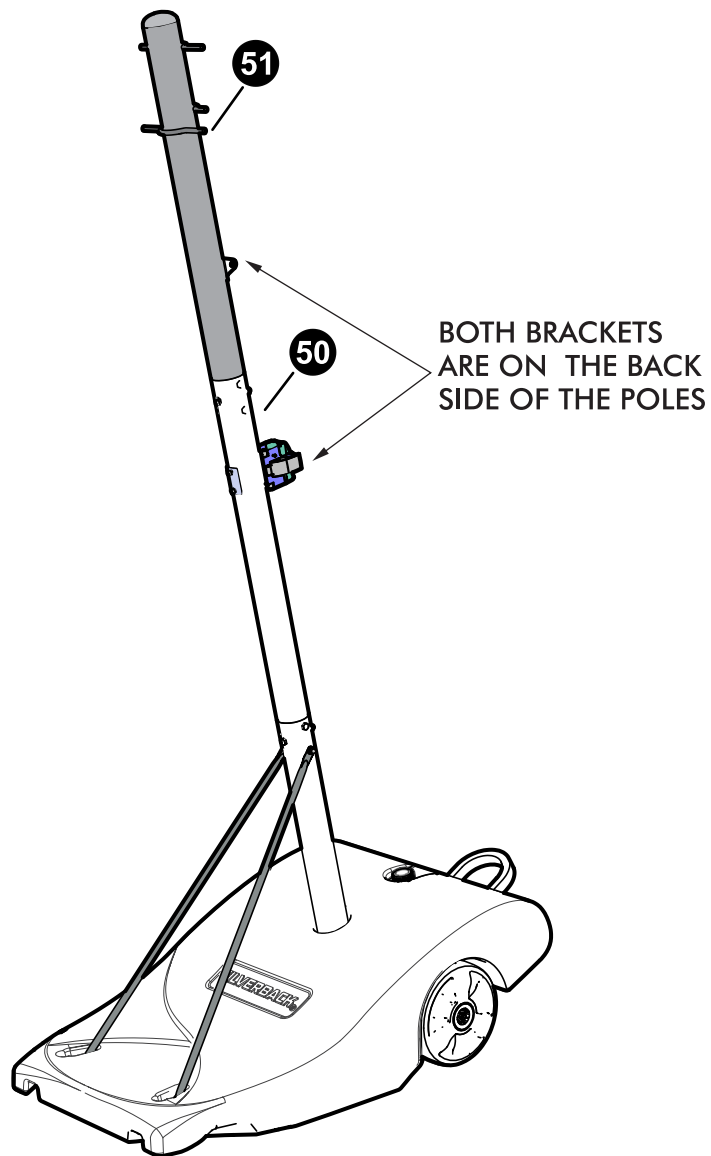
#### NOTE

**DO NOT** step on the ballast to attach top pole.

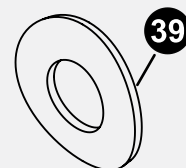
23. Insert hardware as shown in **Detail A & Detail B.**  
**FINGER TIGHTEN ONLY.**

**NOTE:**

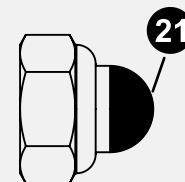
MAKE SURE HEADS OF THE BOLTS ARE  
 INSERTED INTO THE CUT OUT OF THE POLE.



**HARDWARE NEEDED (ACTUAL SIZE)**



WASHER\_CURVED M10  
 2B-6802-00  
**(QTY. 3)**

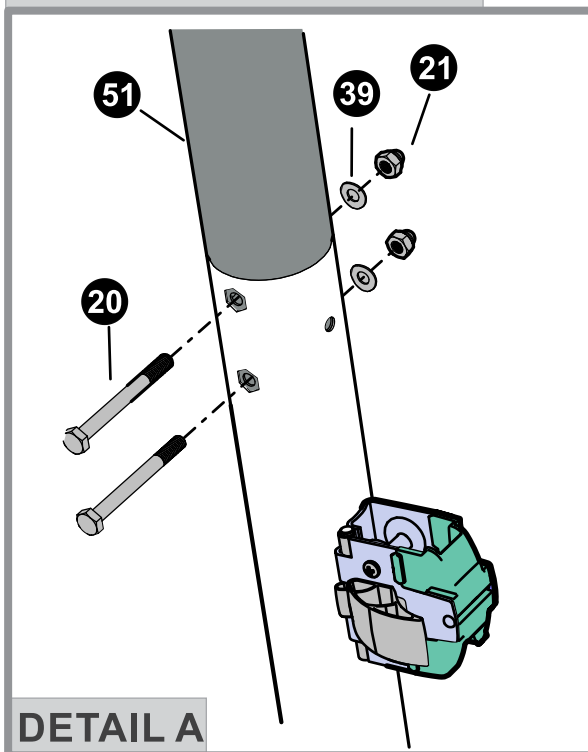


HEX NUT M10-1.5, WITH CAP  
 2B-6799-00  
**(QTY. 3)**

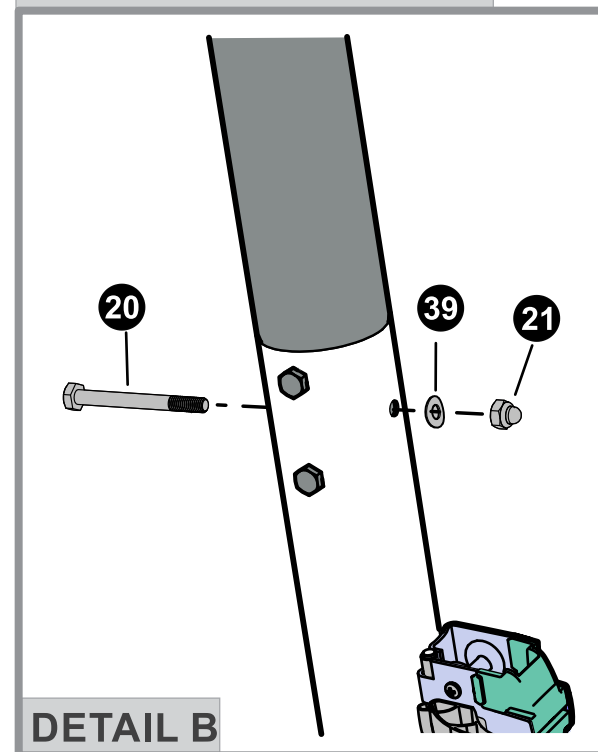


HEX HEAD BOLT M10-1.5 X 100mm  
 1B-7078-00  
**(QTY. 3)**

**FINGER TIGHTEN NUT ONLY.**

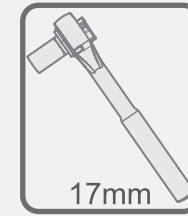


**FINGER TIGHTEN NUT ONLY.**



24. In this Step you will begin to tighten the hardware from previous steps in the following sequence: **First** tighten hardware shown in **Detail A**. **Second**, tighten hardware shown in **Detail B**.

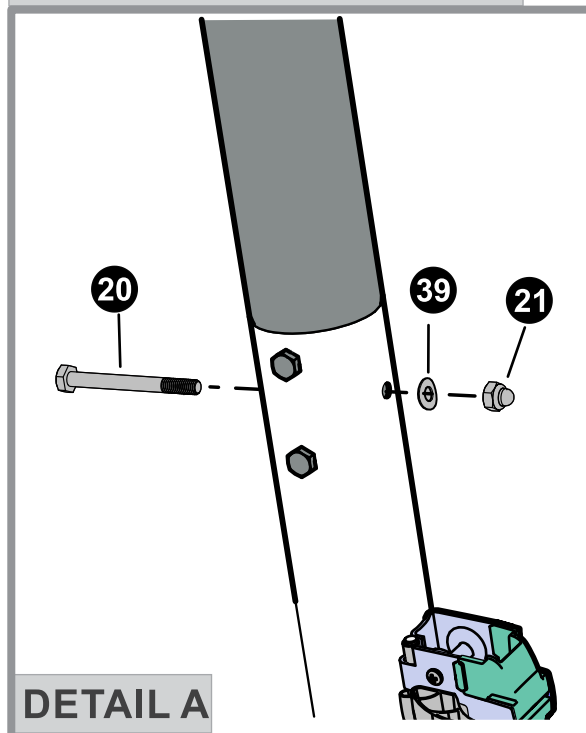
#### TOOLS NEEDED



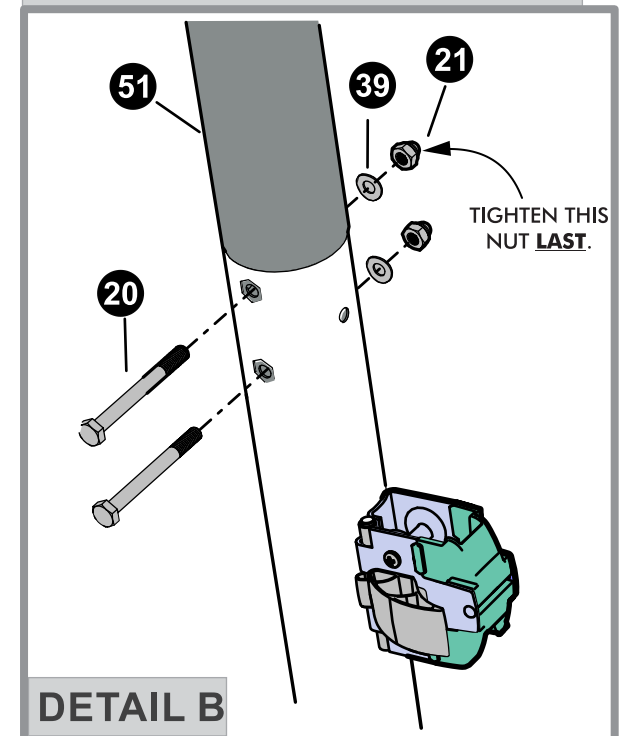
#### NOTE

MAKE SURE HEADS OF THE BOLTS ARE INSERTED INTO THE CUT OUT OF THE POLE, IF NEEDED USE YOUR THUMB TO HOLD THE BOLTS IN PLACE THEN USE A RATCHET AND 17MM SOCKET ON NUTS (21). TIGHTEN HARDWARE TIGHT BUT **DO NOT CRUSH TUBE**.

#### TIGHTEN THIS HARDWARE **FIRST**.



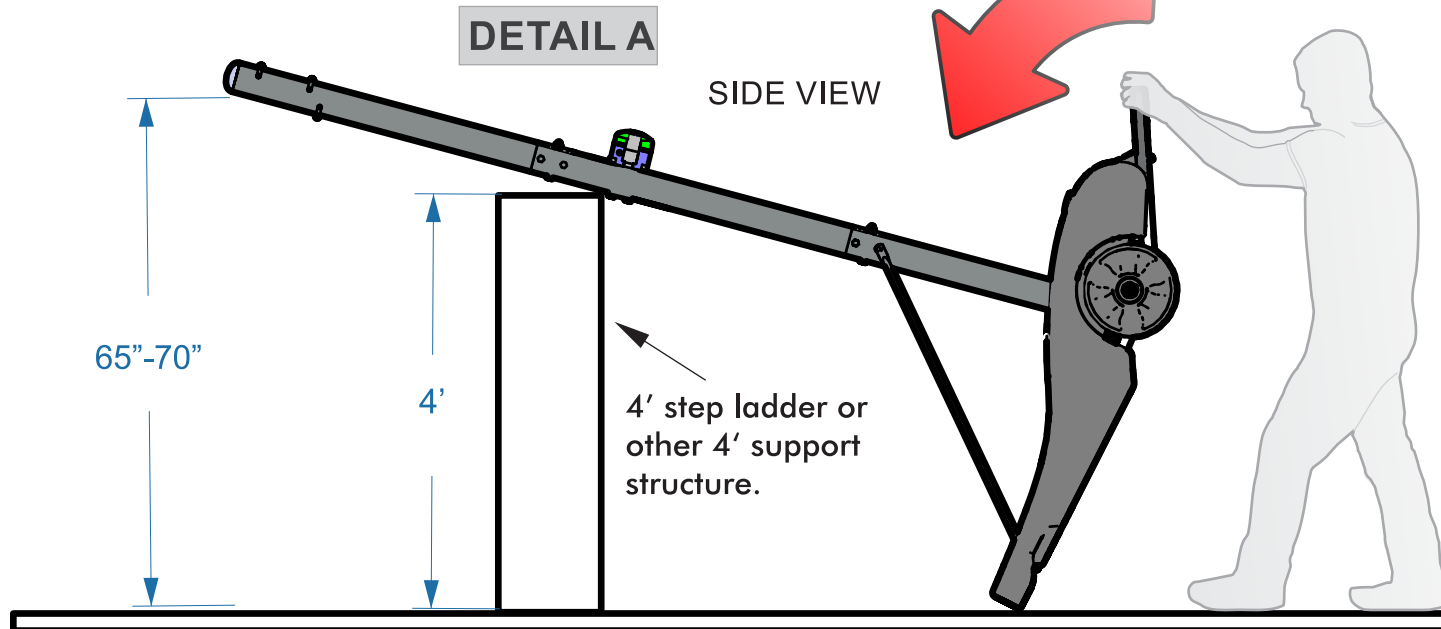
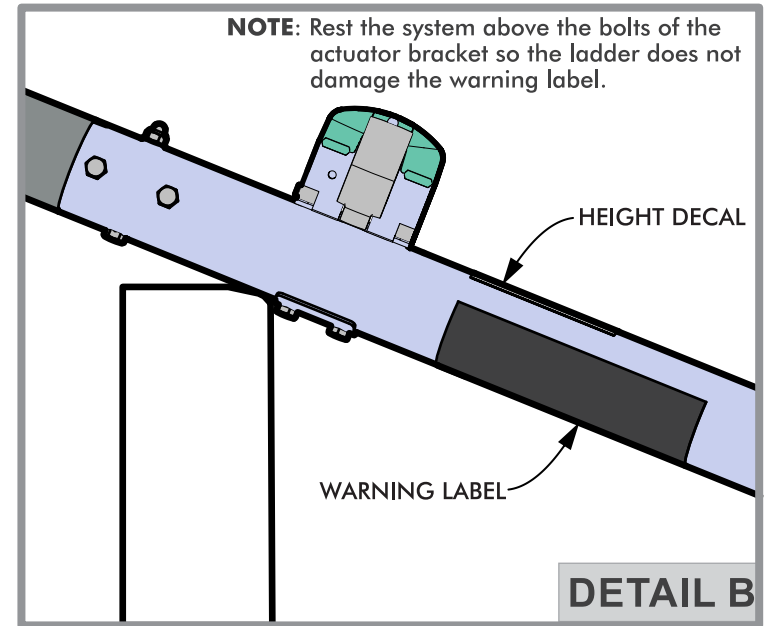
#### TIGHTEN THIS HARDWARE **SECOND**.



**NOTE:**

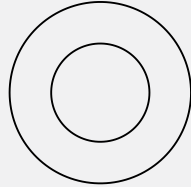
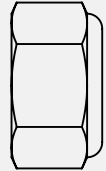
Prepare a flat area that is clear of debris. Keep children away from the assembly area. Two capable adults are needed for the following steps.

25. You will need a 4' step ladder or something similar (4' high) that can support your system. **Alternatively** you can use the **cardboard box** that your basketball system came in, just make sure that it is in good condition, if needed tape the box together so it can support the basketball unit.
26. With the help of another capable adult, tilt your assembly and rest it on a 4' step ladder, rest the system above the bolts of the actuator bracket so the ladder does not damage the warning label. The height of the end of the pole should be approximately from 65-70" from the ground. See **Detail A & B**.
27. **Do not** set assembly upright until instructed to do so. Have a helper hold the pole to keep the unit from moving until the arms are attached.

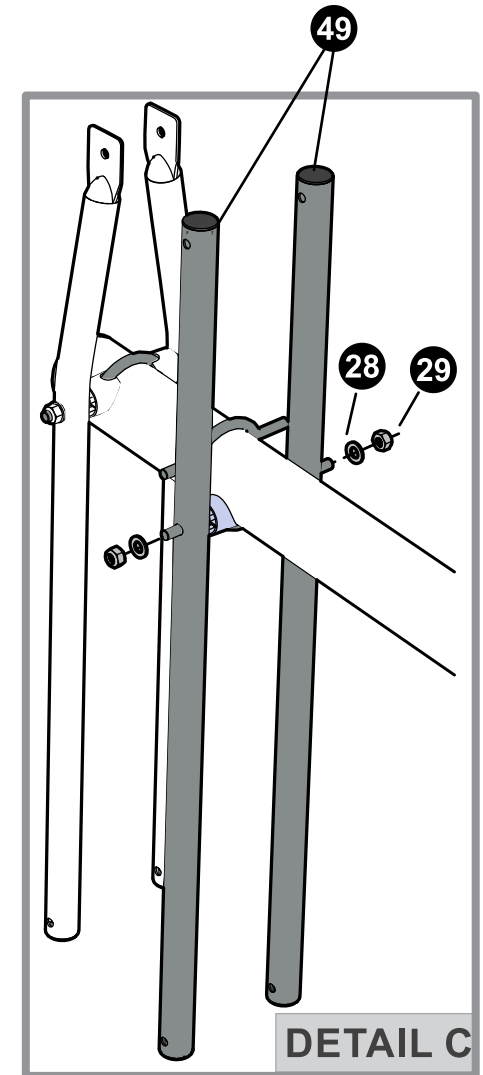
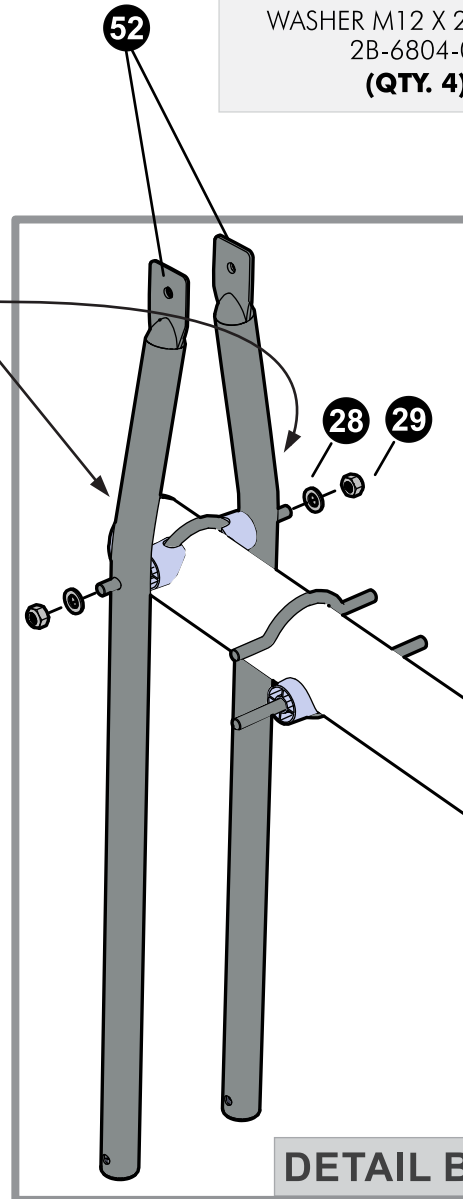
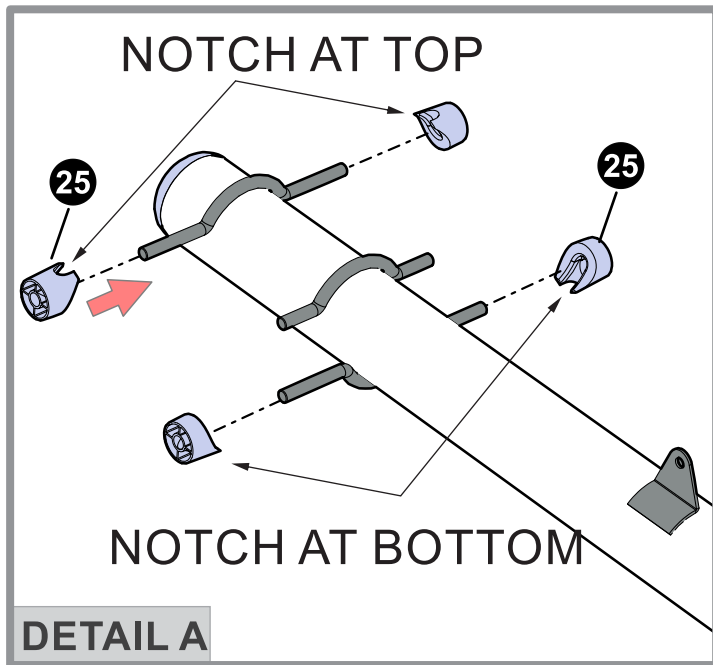


28. With a helper still holding the pole, attach the arms to upper pole as shown in **Detail A-C**. **Finger Tighten Nuts (29) only**, you will tighten this hardware in the next page.

**HARDWARE NEEDED (ACTUAL SIZE)**

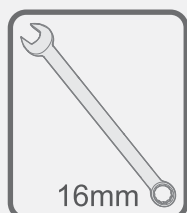
 <p><b>28</b></p> <p>WASHER M12 X 24mm OD 2B-6804-00 <b>(QTY. 4)</b></p>	 <p><b>29</b></p> <p>HEX LOCK NUT M12-1.75 2B-6805-00 <b>(QTY. 4)</b></p>
---	--

**NOTE:**  
Bends to inside.

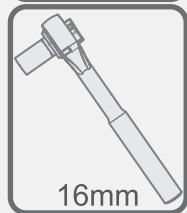


**TOOLS NEEDED**

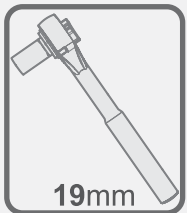
**HARDWARE NEEDED (ACTUAL SIZE)**



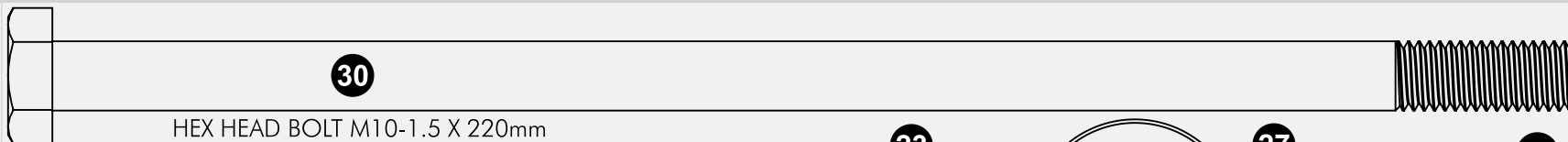
16mm



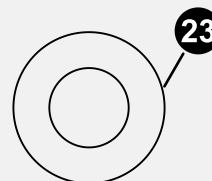
16mm



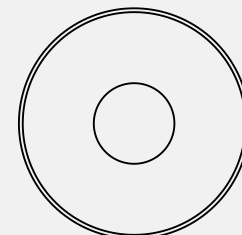
19mm



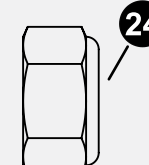
**30**  
 HEX HEAD BOLT M10-1.5 X 220mm  
 1B-7085-00  
**(QTY. 2)**



**23**  
 WASHER M10  
 2B-6800-00  
**(QTY. 4)**

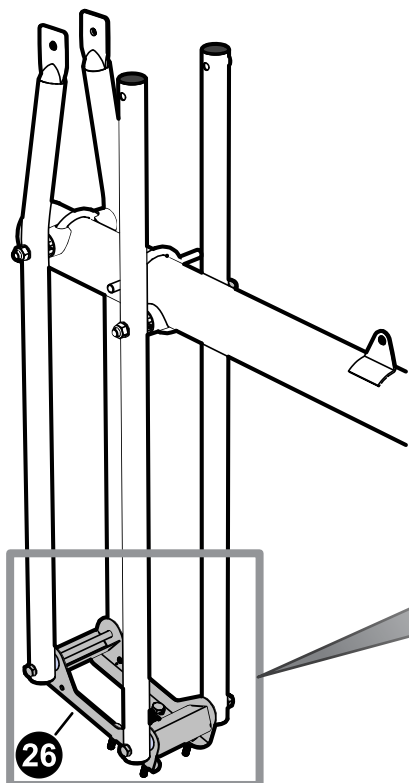


**27**  
 WASHER, NYLON  
 3M-9000-00  
**(QTY. 4)**

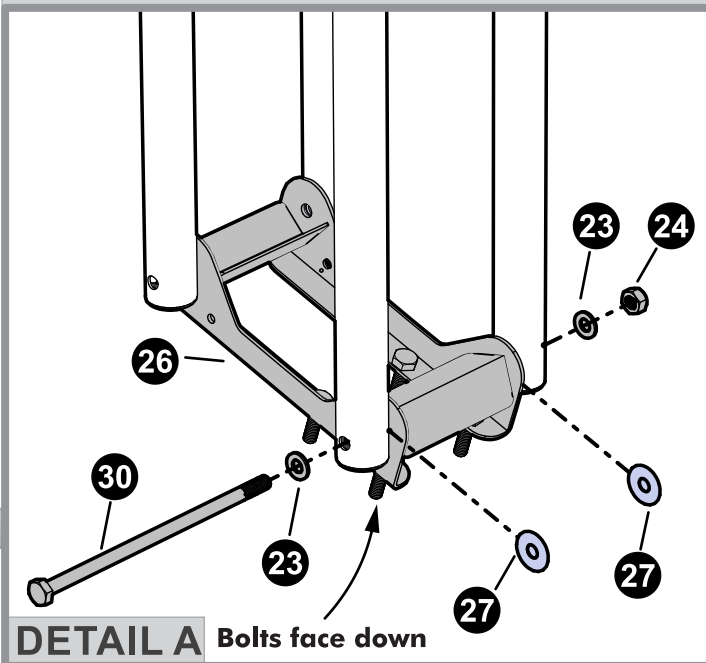


**24**  
 HEX LOCK NUT M10-1.5  
 2B-6801-00  
**(QTY. 2)**

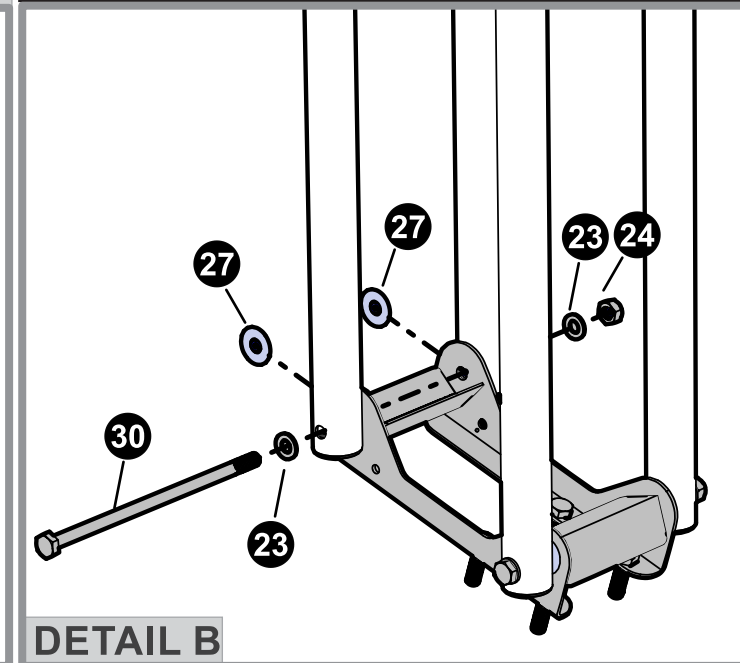
29. Attach Backboard Box (26) to lower and upper arms as shown in **Detail A & B**. Make sure to put a (27) Nylon Washer in between the Arms and the Backboard Box. **Tighten hardware from Detail A & B but back off half a turn** once you feel the hardware is snug. **At this time also tighten Nuts from STEP 28 with a 19mm Socket and also back off half a turn** once you feel the hardware is snug.



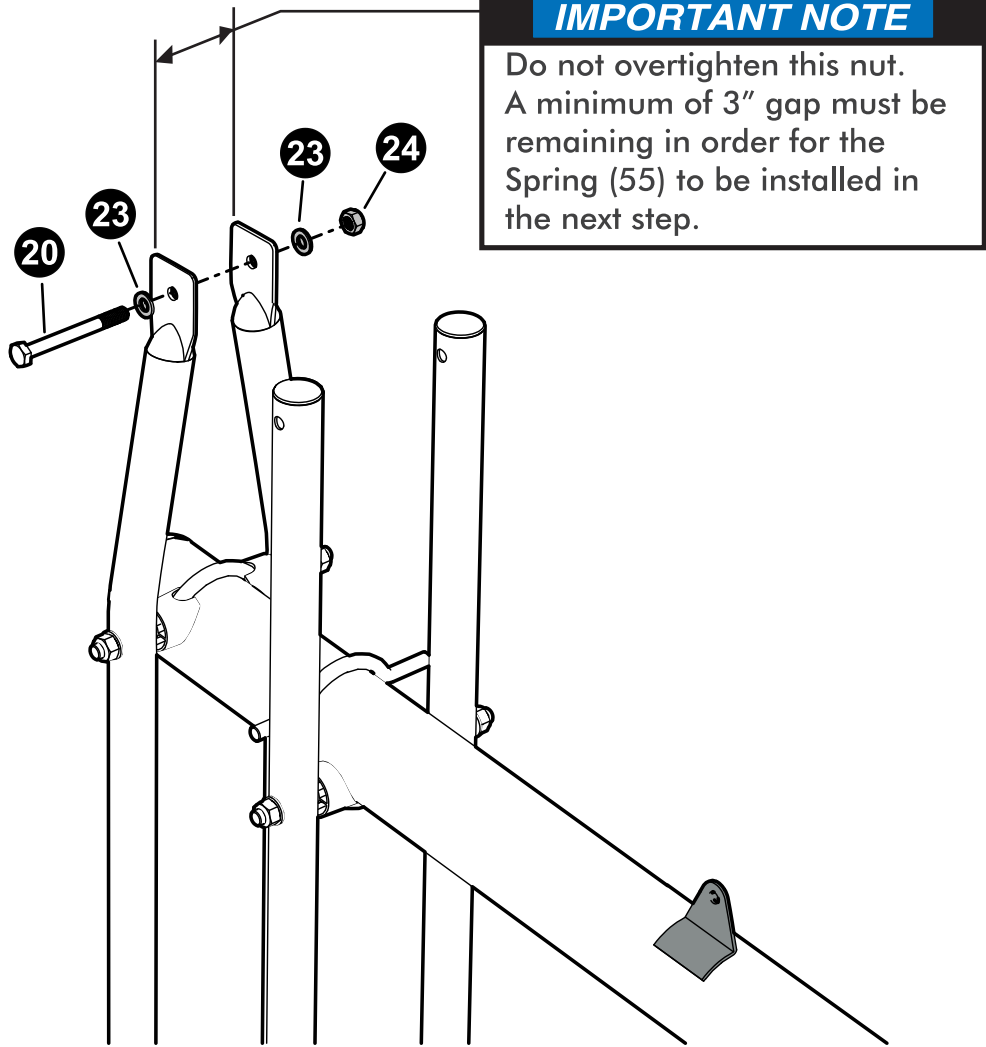
**FINGER TIGHTEN ONLY UNTIL INSTRUCTED.**



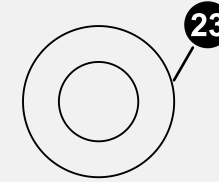
**IMPORTANT NOTE**  
**DO NOT** over tighten hardware, parts must be able to pivot freely.



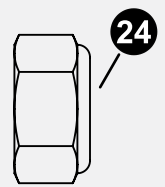
30. Insert bolt (20) through Washer (23), first upper arm, second upper arm, second Washer (23) and Nut (24) as shown. Tighten hardware on the upper arms until the nut makes contact with the ears but **do not overtighten** the nut.



**HARDWARE NEEDED (ACTUAL SIZE)**



WASHER M10  
2B-6800-00  
**(QTY. 2)**

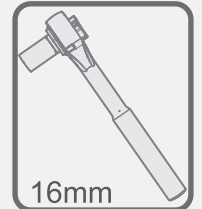


HEX LOCK NUT M10-1.5  
2B-6801-00  
**(QTY. 1)**



HEX HEAD BOLT M10-1.5 X 100mm  
1B-7078-00  
**(QTY. 1)**

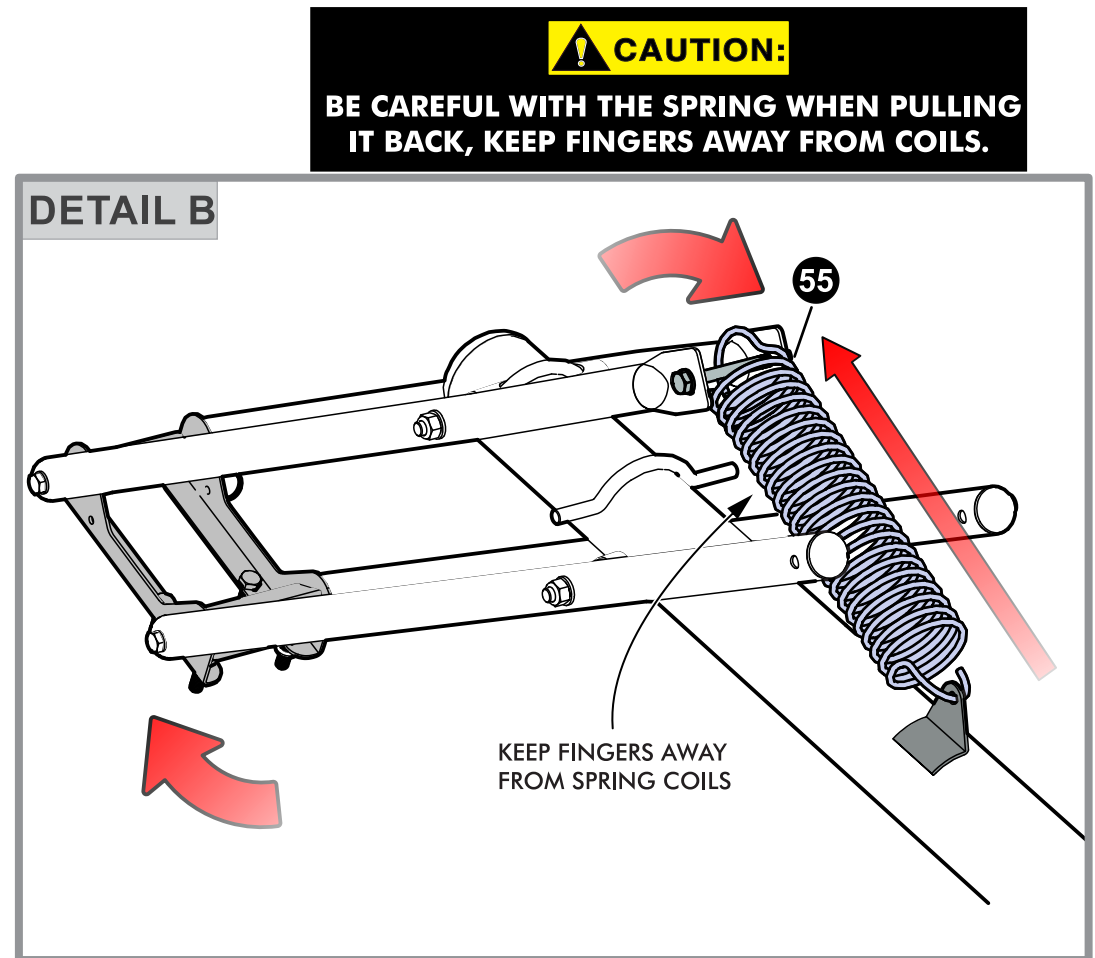
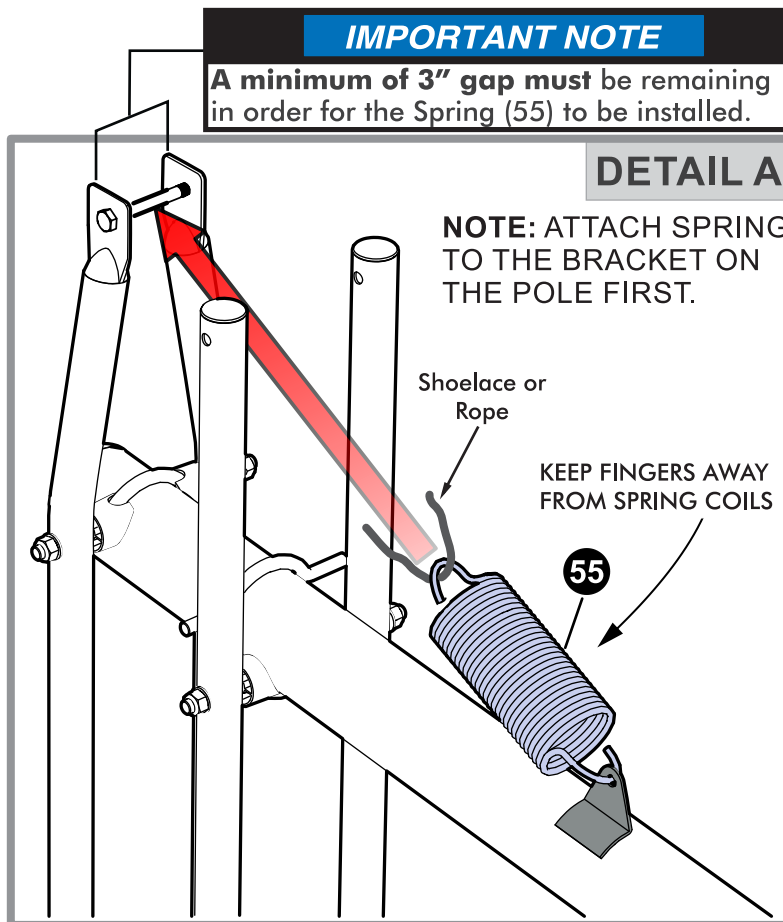
**TOOLS NEEDED**





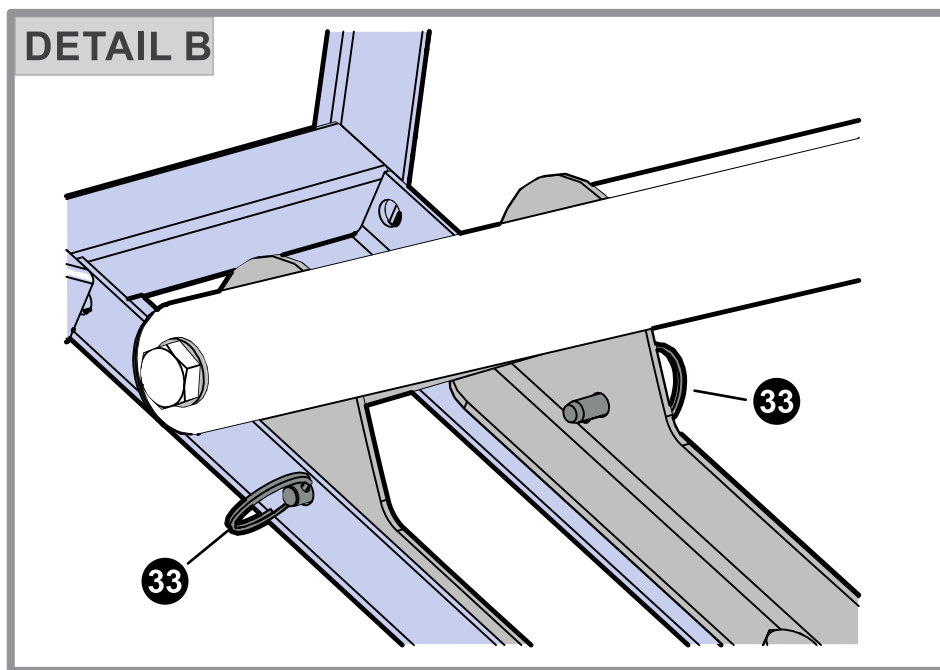
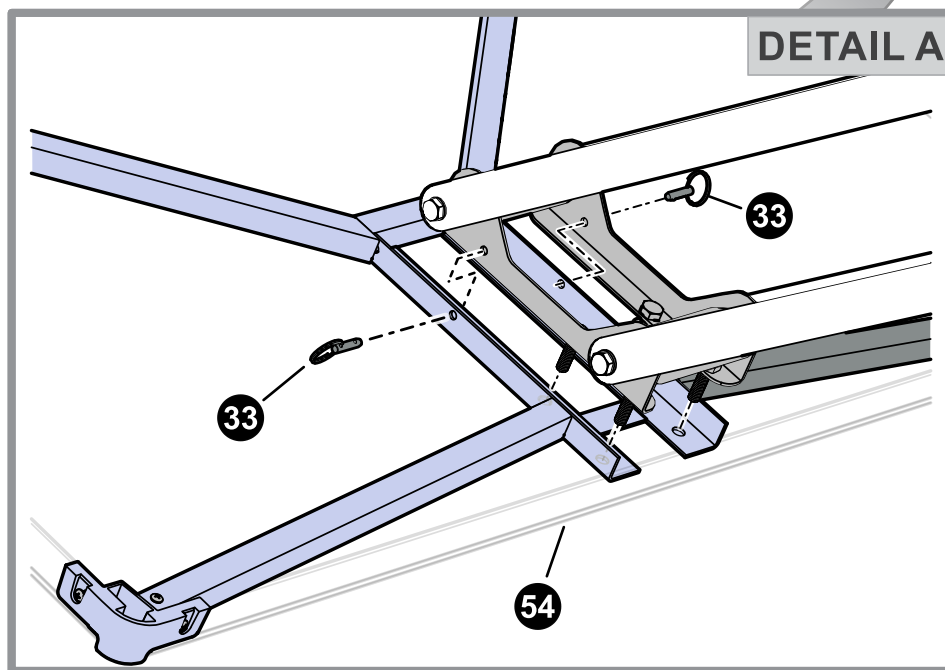
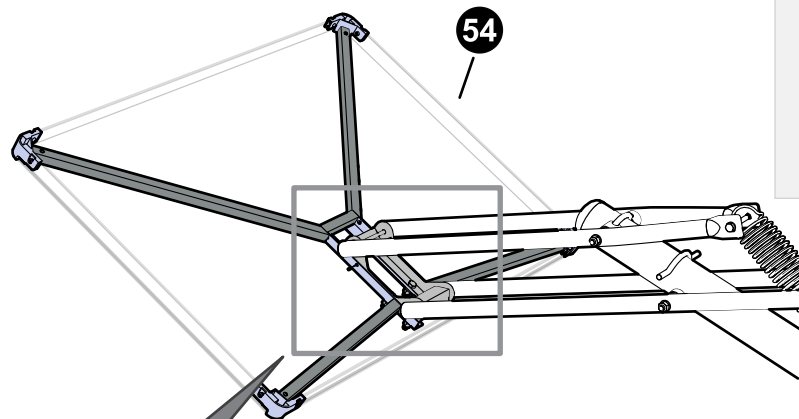
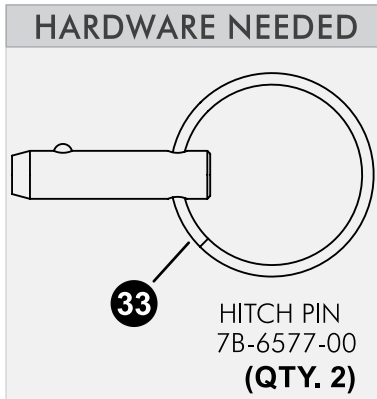
31. Insert one end of the spring (55) into Spring bracket on the upper pole as shown in **Detail A**.
32. With the help of another person attach Spring (55) to upper board arms. With one hand tilt the upper arms towards the spring and hold arms in position, then with the other hand pull the spring toward the arms and hook it onto the Bolt as shown in **Detail A & B**.

**NOTE:** A shoelace or rope can be used to pull the spring and hook it onto the bolt, this is an easier alternative than using your fingers.



33. With the assembly still facing down, attach the backboard as shown. Have a person hold the backboard while you insert the Hitch pins (33) into the backboard supports. See **Details A & B**. The hitch pins will keep the backboard in place and will be completely secure once the Rim is attached.

**NOTE:** If needed, the person holding the Backboard can get on one knee while holding the backboard.

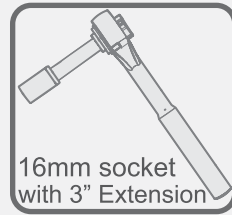


**NOTE:** Take protective coating off the backboard before attaching the Rim.

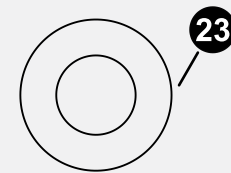
34. With the assembly still facing down, attach the Rim to the Backboard. Have a person hold the Rim in place while you place Washers (23) and Nuts (24) as shown in **Details A & B**. Tighten the nuts with a ratchet with extension and 16mm socket.

35. Attach Net (58) to Rim (44) by looping net over metal horn and tucking under as shown in **Detail C**.

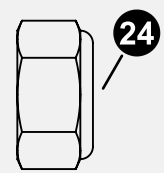
#### TOOLS NEEDED



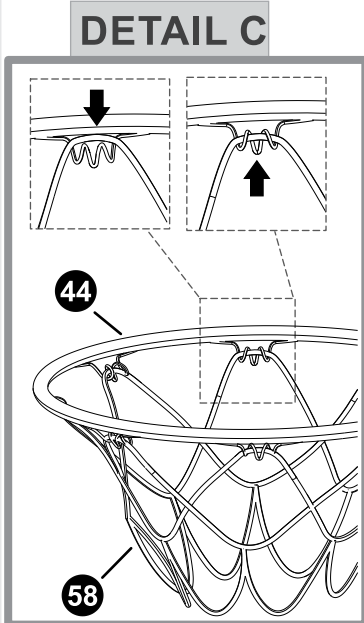
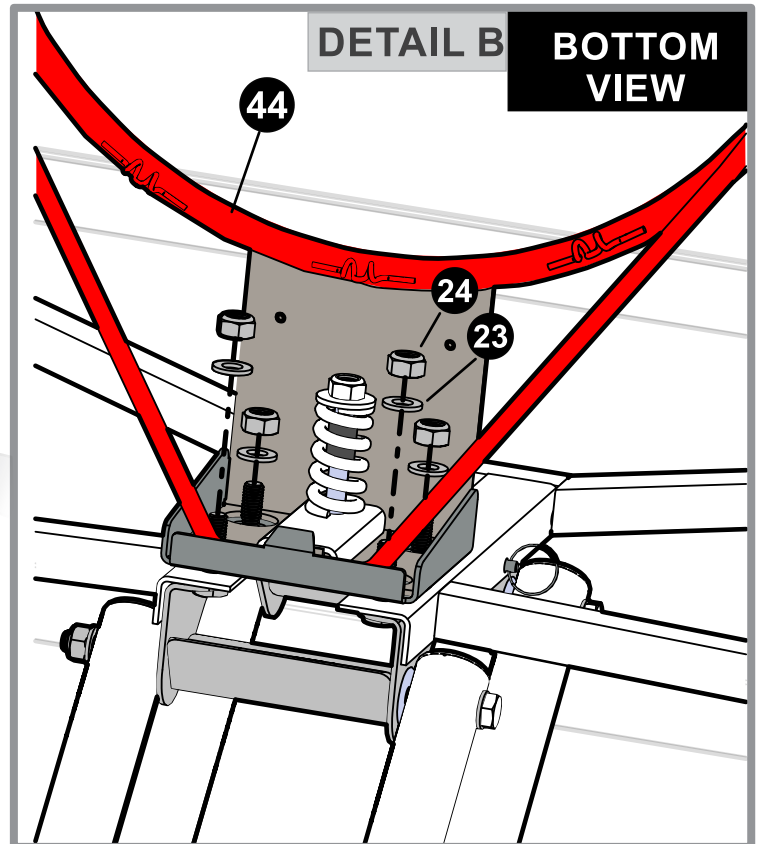
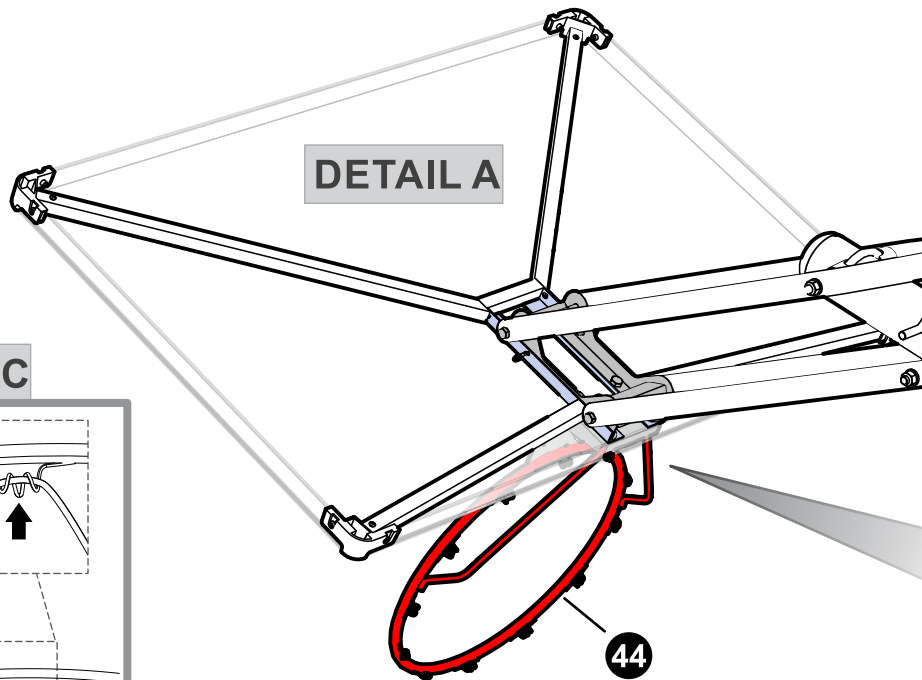
#### HARDWARE NEEDED (ACTUAL SIZE)



WASHER M10  
2B-6800-00  
**(QTY. 4)**



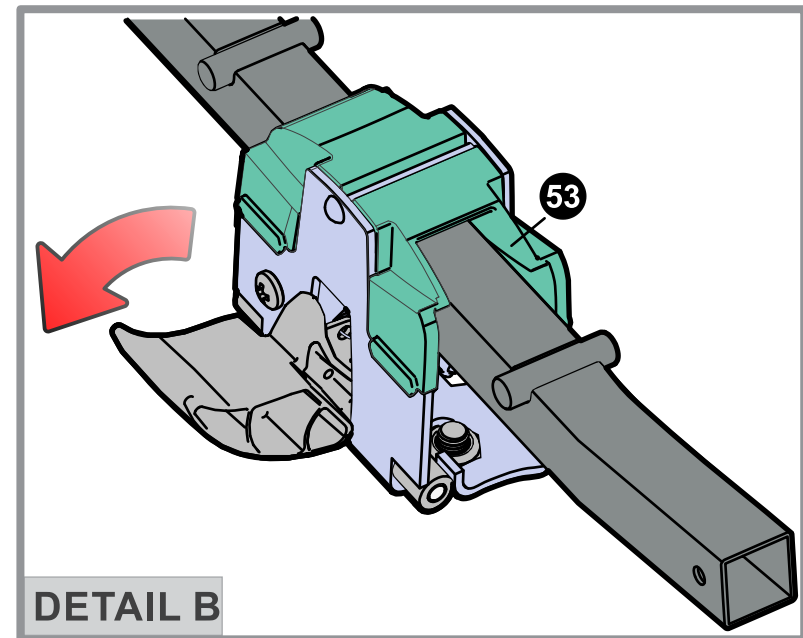
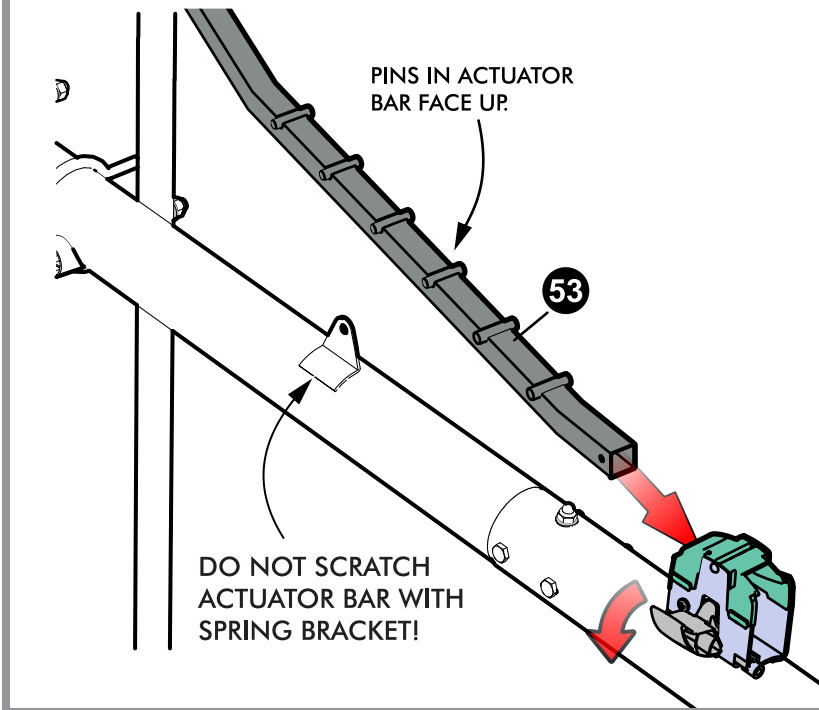
HEX LOCK NUT M10-1.5  
2B-6801-00  
**(QTY. 4)**



36. Slide the Actuator Bar (53) through the Actuator Bracket, release the lever by pressing down and holding while inserting the Actuator Bar. See **Detail A & B**.
37. Engage the lock by letting go of the lever and allow actuator to lock into the bracket.

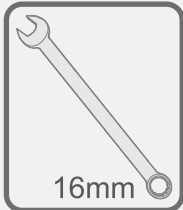
SPRING NOT SHOWN FOR CLARITY.

DETAIL A

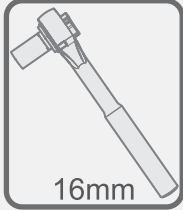


TOOLS NEEDED

HARDWARE NEEDED (ACTUAL SIZE)



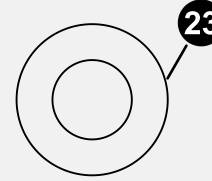
16mm



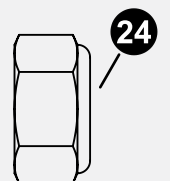
16mm



30  
HEX HEAD BOLT M10-1.5 X 220mm  
1B-7085-00  
(QTY. 1)



23  
WASHER M10  
2B-6800-00  
(QTY. 2)



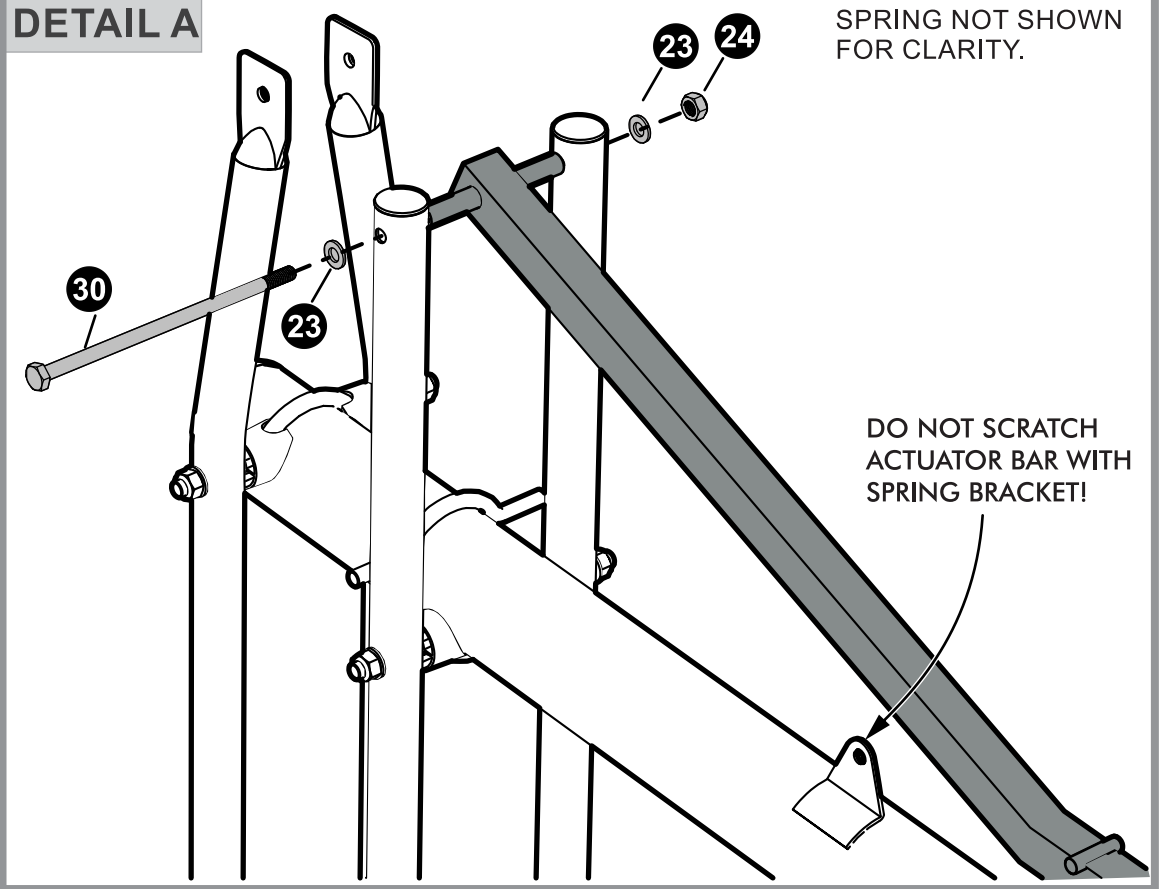
24  
HEX LOCK NUT M10-1.5  
2B-6801-00  
(QTY. 1)

38. Attach other end of the Actuator Bar (53) to the lower arms, as shown. You may have to pivot the arms to align actuator. See **Detail A**.

**IMPORTANT NOTE**

**DO NOT** over tighten Hardware, arms must pivot freely. There should only be about two threads sticking out past the nut.

**DETAIL A**

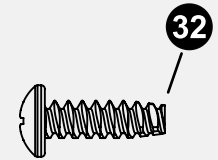


39. Insert Actuator Grip (31) into actuator bar until the handle is flush with the actuator bar, then line up the holes in the grip with the holes in the actuator bar and secure with two Screws (32) as shown in **Detail A**. **DO NOT** overtighten screws.

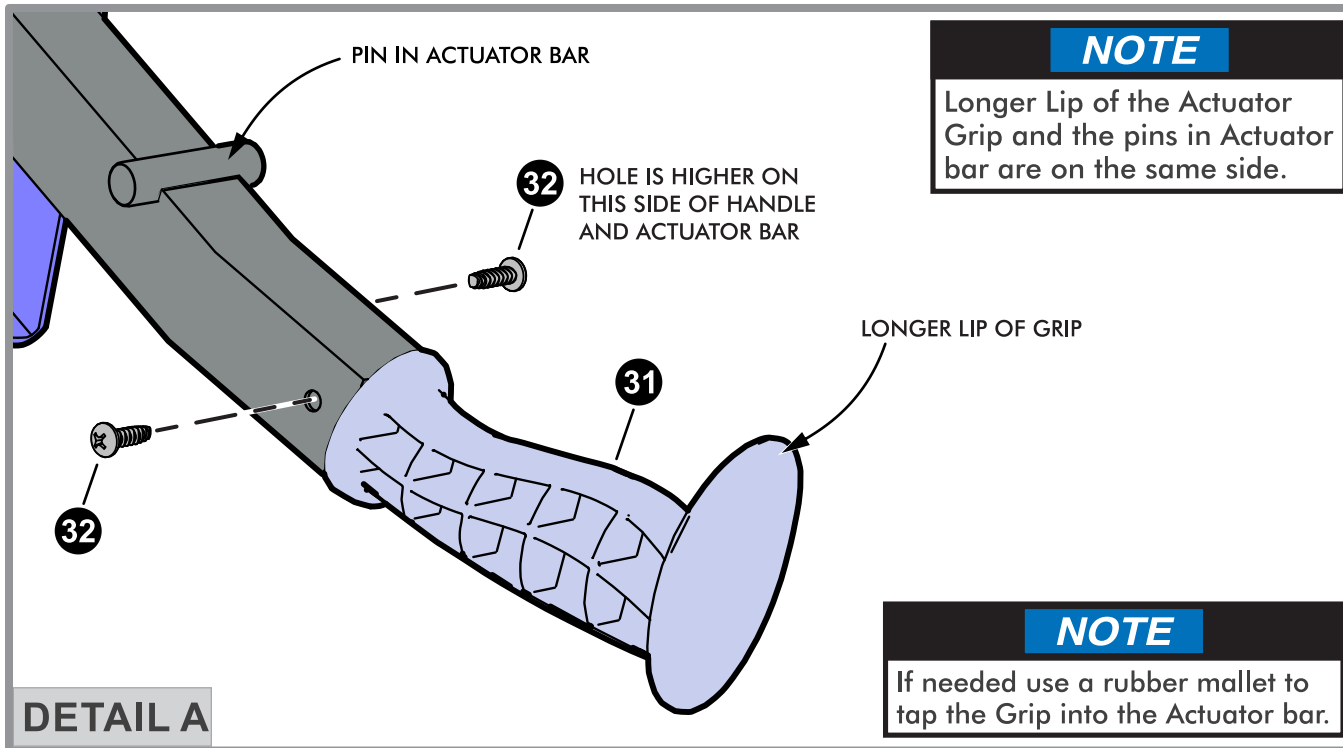
#### TOOLS NEEDED



#### HARDWARE NEEDED

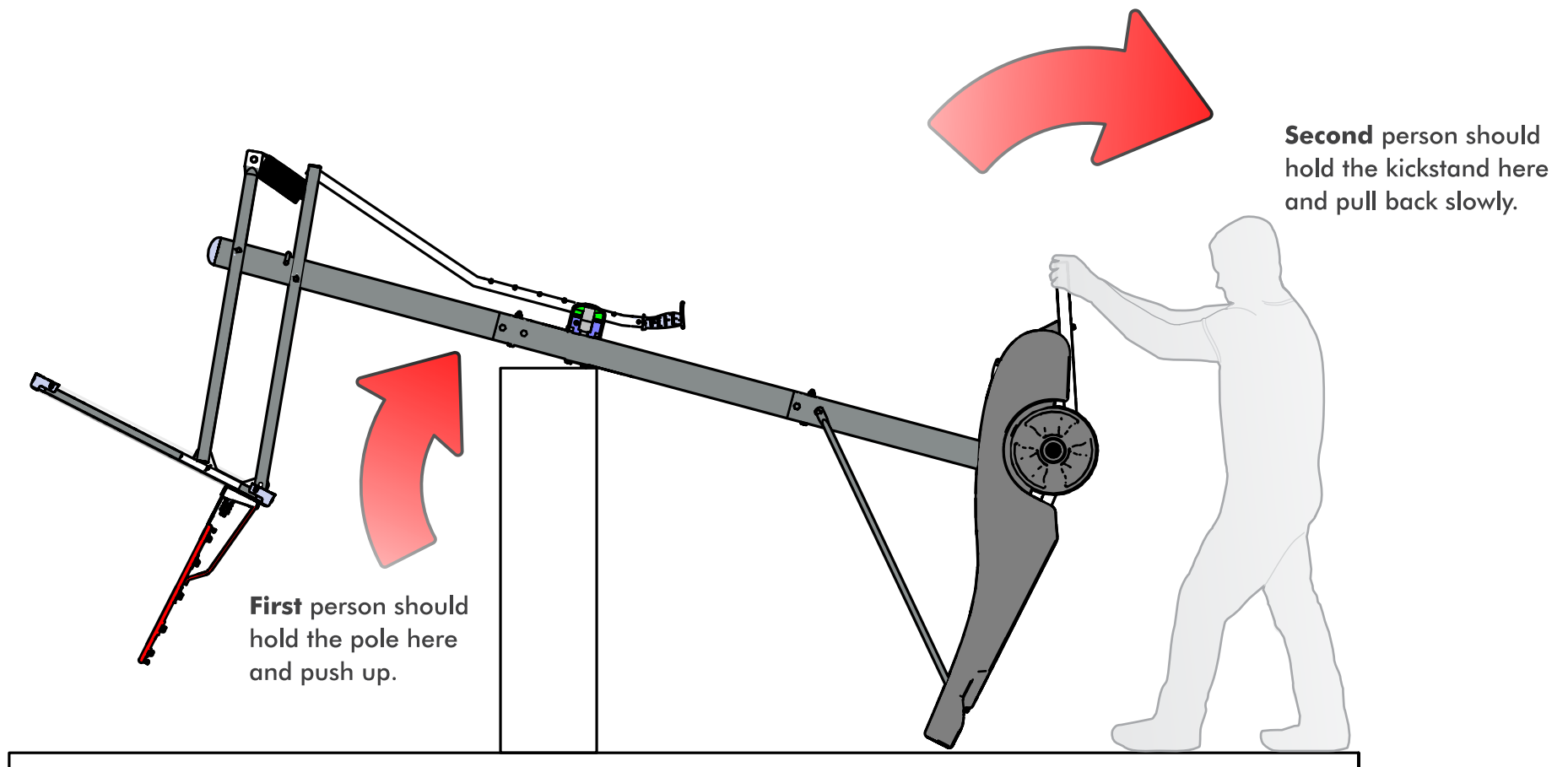


#10-14 X 0.63 TRILOBULAR SCREW  
1B-7084-00  
**(QTY. 2)**



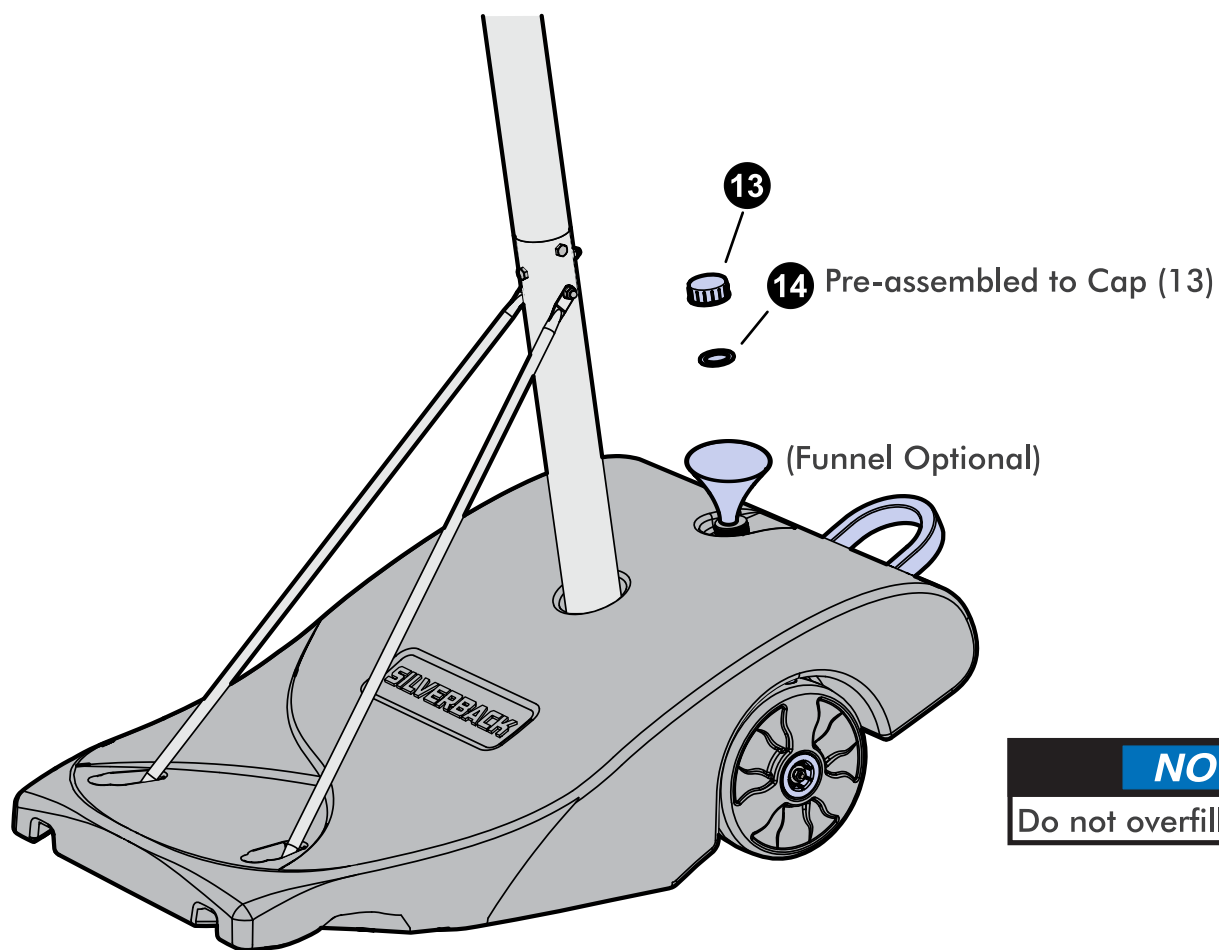
**NOTE:** This is a good time to clean the backboard (if needed). Use a damp microfiber towel or soft cotton cloth to clean the backboard. **Do not** use paper towels, harsh chemicals or anything that could potentially damage your backboard.

40. Adjust System height to 8 feet (Second to last pin in actuator) as shown in the height decal on the back of the pole.
41. With **two capable adults** slowly stand the basketball system up. One person should hold the **pole** and the other the **kick stand** in the back of the system.



42. Carefully move the system where you would like to place it and then Fill the Ballast about 75% full (approx. 25 gal.) with water. Make sure that the Ballast Cap washer (14) is in place before Screwing cap (13) in place.

**NOTE:** Do not overfill the ballast.



**NOTE**  
Do not overfill the Ballast



## CARE AND MAINTENANCE

### BACKBOARD CARE AND MAINTENANCE

#### Items needed to clean backboard:

- 100% cotton soft cloth, (only)
- Glass cleaner

Clean backboard using only a **100% Cotton** soft cloth and glass cleaner. Clean glass as you would clean household windows. Strong cleansers will damage backboard and void warranty.

### MAINTENANCE

To ensure ease of operation, lubricate all pivot points at least every 6 months or as needed with a good lubricant such as WD-40.

### RUST

Inspect your pole periodically, if rust should appear, remove loose paint, sand lightly, primer and paint with exterior flat matte finish enamel paint.

## NOTICE

- **Do not crank the goal over 10'. Damage to the actuator could occur.**
- **Do not allow children to adjust system.**

## ⚠ WARNING

### FAILURE TO FOLLOW THESE WARNINGS MAY RESULT IN SERIOUS INJURY AND/OR PROPERTY DAMAGE. Owners must ensure that all players know and follow these rules for safe operation of the system.

- Only hang from the rim briefly to regain balance or avoid injuring others. Release the rim as soon as safely possible.
- During play, especially when performing dunk type activities, keep player's face away from the backboard, rim, and net. Player should wear a mouth guard during play.
- Do not slide, climb, or play on base or pole.
- Completely fill base according to manufacturer's instructions. Never leave the unit standing in an upright position without first filling the base with weight or the system will tip quickly causing serious personal injury.
- When adjusting height or moving system, keep hands and fingers away from moving parts.
- Do not allow children to move or adjust system.
- Do not wear jewelry (rings, watches, necklaces, etc.) during play. Objects may entangle in net.
- Keep organic material away from pole base. Grass, litter, etc. could cause corrosion and/or deterioration.
- Surface beneath the base must be smooth and free of gravel or other objects. Punctures cause leakage and could cause system to tip over.

- Once a month check pole and all metal parts for signs of corrosion (rust, pitting, chipping). Completely remove rust and repaint with exterior enamel. If rust has penetrated any steel part, replace that part immediately.
- Check system before each use for proper ballast, loose hardware, excessive wear, inability, and signs of corrosion and repair before use.
- Never play on damaged equipment.
- Do not use system during windy or severe weather. System may tip over. Place system in an area protected from the wind or in an area away from property that may be damaged if the system falls, and from overhead power lines.
- Do not use the system to lift or hoist anything. The mechanism is designed to lift only the weight of the backboard and rim. Do not hang anything from the handle, rim backboard, or lifter arms as this will damage the system and void the warranty.



## ⚠ ADVERTENCIA

### SI NO SE OBEDECEN ESTAS ADVERTENCIAS PUEDEN PRODUCIRSE GRAVES LESIONES Y/O DAÑOS A LA PROPIEDAD.

El propietario del Sistema debe asegurarse de que todos los jugadores conozcan y respeten estas reglas para que el Sistema se use en forma segura.

- Cuélguese del aro solo en forma breve, para recuperar el equilibrio o evitar lesionar a otros jugadores. Suétese del aro lo más pronto que pueda hacerlo con seguridad.
- Durante el juego, especialmente al embocar violentamente de alto, la cara de los jugadores debe mantenerse alejado del tablero, el aro y la red. Pueden producirse lesiones graves si los dientes o la cara entran en contacto con el tablero, el aro o la red. Los jugadores deben usar un protector bucal durante el juego.
- No se deslice, no trepe ni juegue sobre la base o el poste.
- Llene la base completamente siguiendo las instrucciones del fabricante. Nunca deje la unidad en posición de uso sin haber llenado previamente la base con material de contrapeso, pues el sistema podría tumbarse rápidamente y causar graves lesiones personales.
- Mantenga las manos y los dedos alejados de las piezas móviles cuando regule la altura o desplace el sistema.
- No deje que los niños regulen ni desplacen el sistema.
- No use joyas (anillos, relojes, collares o gargantillas, etc.) durante el juego. Estos objetos pueden engancharse en la red.
- La superficie donde se coloque la base debe estar lisa y desprovista de piedras, grava u otros objetos. Las perforaciones pueden originar pérdidas, y estas pueden hacer que el sistema se tumbe.
- No permita que la base del poste entre en contacto con materiales orgánicos. El pasto, los desechos animales, etc., pueden causar corrosión y/o deterioros.
- Controle el poste y todas las piezas metálicas una vez al mes en busca de signos visibles de corrosión (oxidación, picaduras, escamado). Elimine todo rastro de óxido y vuelva a pintar con esmalte para exteriores. Si el óxido ha penetrado cualquier pieza de acero, reemplace esa pieza de inmediato.
- Inspeccione el sistema antes de cada uso para verificar que este adecuadamente contrapesado, que los elementos de fijación no estén flojos, que no haya desgaste excesivo, inestabilidad ni signos de corrosión. Si encuentra irregularidades, repárelas antes de usar el sistema. Nunca juegue con un equipo dañado.
- No use el sistema en presencia de vientos fuertes o condiciones climáticas adversas, ya que puede tumbarse. Coloque la unidad en su posición de almacenamiento y/o en una zona a resguardo del viento, lejos de propiedades personales que puedan dañarse si el sistema se cae, y de líneas de suministro de energía.
- No use el sistema para levantar ningún objeto. El mecanismo está diseñado para elevar solamente el peso del tablero con el aro. No cuelgue nada de la agarradera, el aro, el tablero ni los brazos de elevación, ya que esto puede dañar el sistema y anular la garantía.

2L-7603-00

## ⚠ AVERTISSEMENT

### FAUTE DE NE PAS SUIVRE CES AVERTISSEMENTS, VOUS RISQUEZ DE CAUSER DES BLESSURES GRAVES ET/OU DES DOMMAGES A L'EQUIPEMENT.

Le propriétaire doit s'assurer que tous les joueurs connaissent et appliquent les règles suivantes afin d'utiliser l'équipement en toute sécurité.

- Ne vous suspendez pas à l'anneau plus que nécessaire pour retrouver votre équilibre ou éviter de blesser les autres joueurs. Relâchez l'anneau aussitôt que possible.
- Lors d'un match, particulièrement dans le cas des smashes, le visage du joueur ne doit pas faire face au panneau, à l'anneau, ni au filet. Le joueur risque de graves blessures si ses dents ou son visage entrent en contact avec le panneau, l'anneau, ou le filet. Les joueurs doivent toujours porter un protège-dents lorsqu'ils jouent.
- Ne glissez pas, ne grimpez pas, et ne jouez pas sur la base ou le poteau.
- Remplissez complètement la base selon les instructions du fabricant. Ne laissez jamais l'unité debout de plain pied sans avoir d'abord rempli la base avec un poids ou l'équipement pourrait basculer rapidement et causer de graves blessures.
- Lorsque vous ajustez la hauteur ou lorsque vous déplacez l'équipement, gardez vos mains et doigts loin des pièces mobiles.
- Ne permettez pas aux enfants de déplacer ou d'ajuster l'équipement.
- Ne portez pas de bijoux (bagues, montres, colliers, etc.) lorsque vous jouez. Ces objets pourraient s'accrocher au filet.
- La surface sur laquelle est posée la base doit être lisse et sans gravier ou tout autre objet qui pourrait troubler la base entraînant ainsi une fuite ce qui pourrait faire basculer l'équipement.
- La base ne doit pas non plus être posée sur aucun type de matière organique. L'herbe, les déchets, etc. peuvent entraîner la corrosion et la détérioration de l'équipement.
- Une fois par mois, vérifiez que le Poteau et toutes les pièces en métal ne montrent pas de signes de corrosion (rouille, piqûres, écailage). Enlevez toute la rouille et repeignez complètement avec une peinture pour extérieur. Si la rouille a pénétré une des pièces en acier, vous devrez remplacer immédiatement les pièces en acier, vous devrez remplacer immédiatement la pièce en question.
- A chaque fois que vous allez utiliser l'équipement, vérifiez d'abord l'équilibre, la possibilité de pièces desserrées ou usées, la stabilité de l'équipement et tout signe de corrosion ou réparation nécessaire avant utilisation.
- Ne jouez jamais avec un équipement endommagé.
- N'utilisez pas l'équipement lors de fortes rafales de vent ou de mauvais temps. L'équipement pourrait basculer. Placez l'équipement dans un endroit abrité du vent ou loin des structures qu'il pourrait endommager s'il basculait et loin des fils électriques.
- N'utilisez pas l'équipement pour lever ou soulever quoique ce soit. Son mécanisme a été conçu uniquement pour soutenir le poids du panneau et de l'anneau. N'accrochez rien au manche, à l'anneau, au panneau ni aux leviers sous peine d'endommager l'équipement et d'annuler la garantie.

## LIMITED 5 YEAR WARRANTY

This consumer warranty extends to the original consumer purchase of any Escalade® Sports Product (hereinafter referred to as the "Product").

**WARRANTY COVERAGE:** Escalade Sports warrants to the original Consumer Purchaser that any Product of its manufacture is free from defects in material and workmanship. THIS WARRANTY IS VOID IF THE PRODUCT HAS BEEN DAMAGED BY ACCIDENT, UNREASONABLE USE, NEGLIGENCE, IMPROPER SERVICE, FAILURE TO FOLLOW INSTRUCTIONS PROVIDED WITH THE PRODUCT OR OTHER CAUSES NOT ARISING OUT OF DEFECTS IN MATERIAL OR WORKMANSHIP.

Subject to proper assembly, installation and normal Residential use, Escalade Sports warrants, subject to the limitations below, to the original retail purchaser all structural components (not accessories) of the Silverback® System to be free of defects in material and workmanship for a period of Five (5) years from the original purchase date.

Merchandise must be shipped prepaid with a copy of proof of purchase to Escalade Sports factory for examination to determine if the basketball system needs to be repaired or replaced. Any labor costs, travel expenses and any other changes involved in the removal, installation or replacement of the defective/repairs parts from/to your Silverback System will be the purchaser's responsibility. Shipping charges for replaced or warranted merchandise sent back to the customer from Escalade Sports factory must be prepaid by the customer in advance. If not, the replacement shipment will be sent out collect.

EscaladeSports reserves the right to examine photographs or physical evidence of merchandise claimed to be defective, and to recover said merchandise, prior to authorization of warranty claims. A "Returned Goods Authorization" number may be required, please call for details prior to the return of any photographs or merchandise.

This limited 5 year warranty is expressly in lieu of all warranties, expressed or implied, including warranties of merchantability or fitness for use. Escalade® Sports does not assume or authorize any person or representative to assume for us, any other liability in connection with the sale of our products.

The remedy of repair or replacement stated above is Escalade Sports exclusive remedy. EscaladeSports will not be liable for any other damages or expenses which may incur, including but not limited to incidental or consequential damages. Escalade Sports assumes no other obligations or liability on the part of the purchaser, and Escalade Sports neither assumes nor authorizes any other person to assume for it any other liability in connection with the goods sold.

This warranty shall not apply in any manner to parts or accessories not manufactured by Escalade Sports.

### NOT COVERED BY THIS WARRANTY

- Merchandise not intended to be in places of public assembly, such as, but not limited to, schools, parks, public or private recreational facilities.
- Any merchandise subjected to Non-residential abuse, negligence, improper installation, vandalism, acts of God, alteration of product, or any other events beyond the control of Escalade Sports.
- Paint or rusted parts. If rust should appear, remove loose paint, sand lightly, primer and paint with exterior flat matte finish enamel paint.
- Hoop net will be warranted for a period of 180 days - under normal use and proper care.
- HANGING ON RIM WILL VOID THE WARRANTY: Rims are not warranted for any defects other than workmanship. Torn back plates, damaged springs, bent rings, damaged eyebolts, and torn or distorted rim supports result from hanging on the rim and are not warranted.
- Shipping charges both ways. Note: Any merchandise shipped to Escalade Sports collect will be refused.
- Dealer service charges, labor charges and travel expenses associated with replacement of repair of warranty item.

**WARRANTY DISCLAIMERS:** ANY IMPLIED WARRANTIES ARISING OUT OF THIS SALE, INCLUDING BUT NOT LIMITED TO THE IMPLIED WARRANTIES OF MERCHANTABILITY AND FITNESS FOR A PARTICULAR PURPOSE, ARE LIMITED IN DURATION. ESCALADE SPORTS SHALL NOT BE LIABLE FOR LOSS OF USE OF THE PRODUCT OR OTHER CONSEQUENTIAL OR INCIDENTAL COSTS, EXPENSES OR DAMAGES INCURRED BY THE CONSUMER OF ANY OTHER USE.

Some states do not allow the exclusion or limitation of implied warranties or consequential or incidental damages, so the above limitations or exclusions may not apply to you. LEGAL REMEDIES: This warranty gives you specific legal rights, and you may also have other rights which may vary from state to state.

### WARRANTY GUIDELINES IS REQUIRED FOR ALL WARRANTY CLAIMS

1. Proof of Purchase (original retail purchaser) is required for all warranty claims.
2. Call or write Escalade Sports to receive a Return Authorization # and determine specific needs. Phone: 1-888-USA-GOAL / Warranty Dept. Or Write Escalade Sports at: Escalade Sports - P.O. Box 889, Evansville, IN 47706 - Attn: Warranty Dept. Or E-mail us at: basketball@escaladesports.com