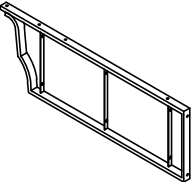
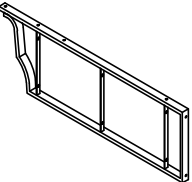
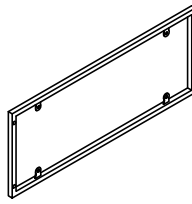

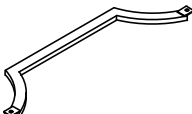
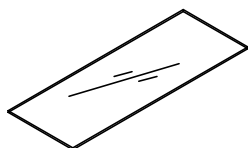
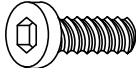




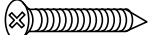
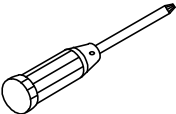
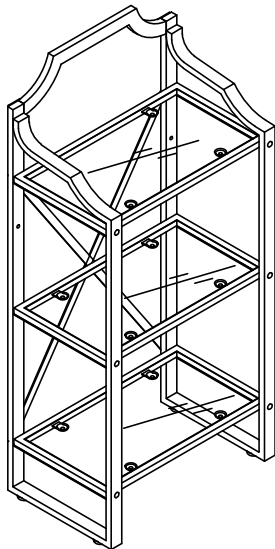


ASSEMBLY INSTRUCTION

FLOOR SHELF

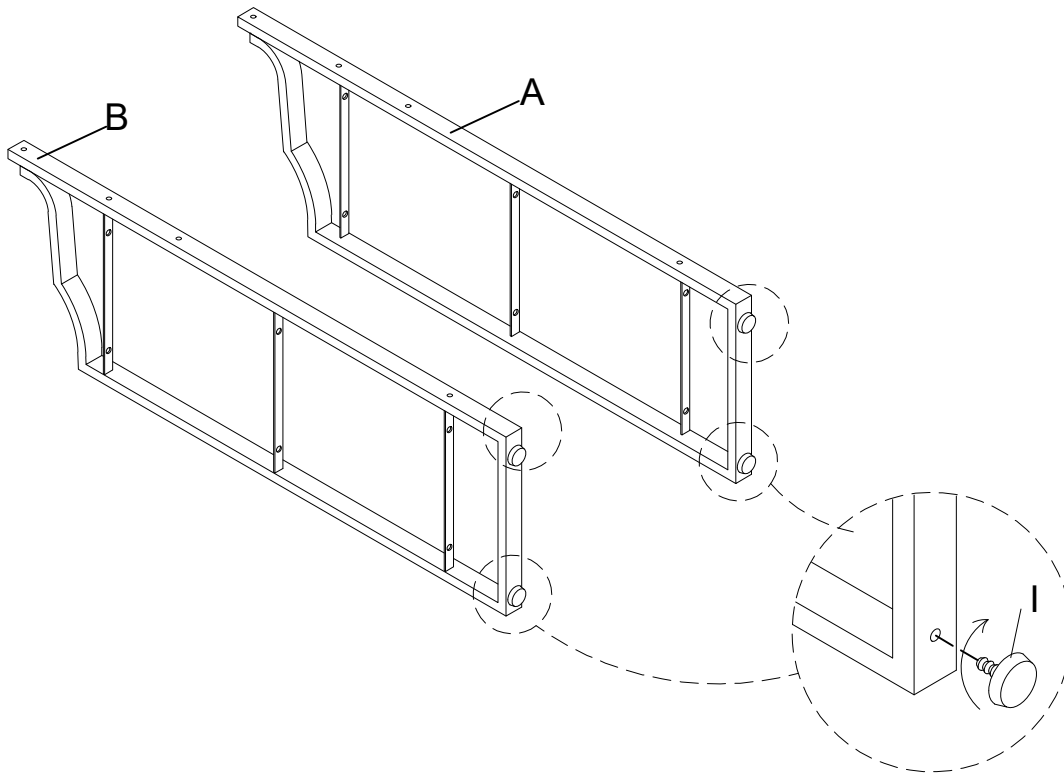
A Side Frame - LSF  1pc	B Side Frame - RSF  1pc	C Shelf Frame  3pcs	D Cross Bar  2pcs
E Connect Bar  1pc	F Shelf Board  3pcs	G Bolt $\text{Ø}1/4" \times 1/2"$  18pcs	H Sucker  12pcs
I Leveler  4pcs	J Allen Key M4  1pc	K Wall Anchor $\text{Ø}8 \times 29\text{mm}$ (Anti-Tipping)  2pcs	L Wood Screw $\text{Ø}3/16" \times 38\text{mm}$ (Anti-Tipping)  2pcs
M Screwdriver (Not Provided)  1pc			



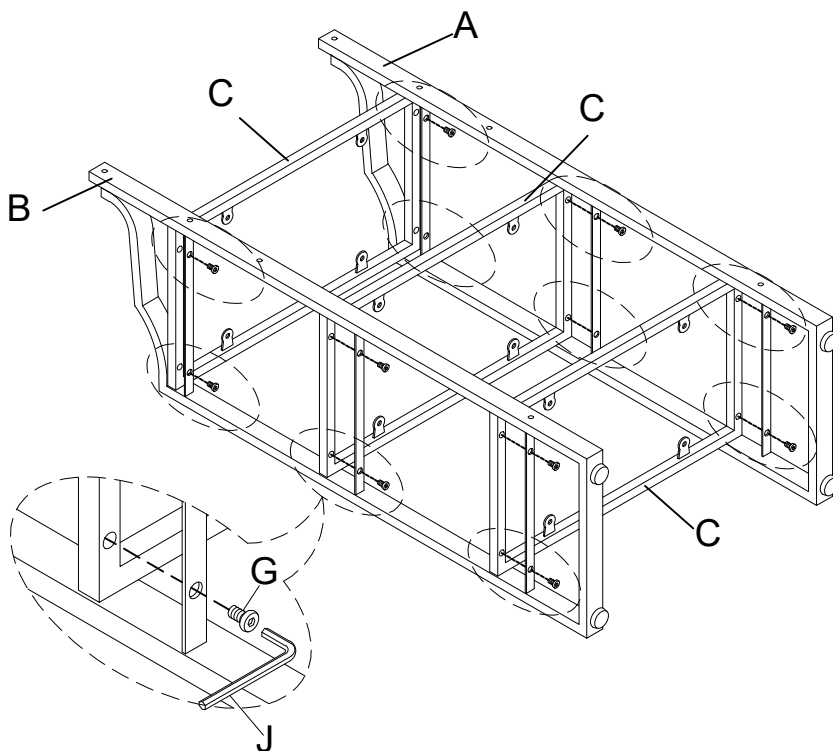
This pages lists all the contents included in the box. Please take the time to identify the hardware as well as the individual components to this product. As you unpack and prepare for assembly, place the contents on a carpeted or padded area to protect them from damage.

Remark: The max weight capacity of glass shelves are 13lbs.

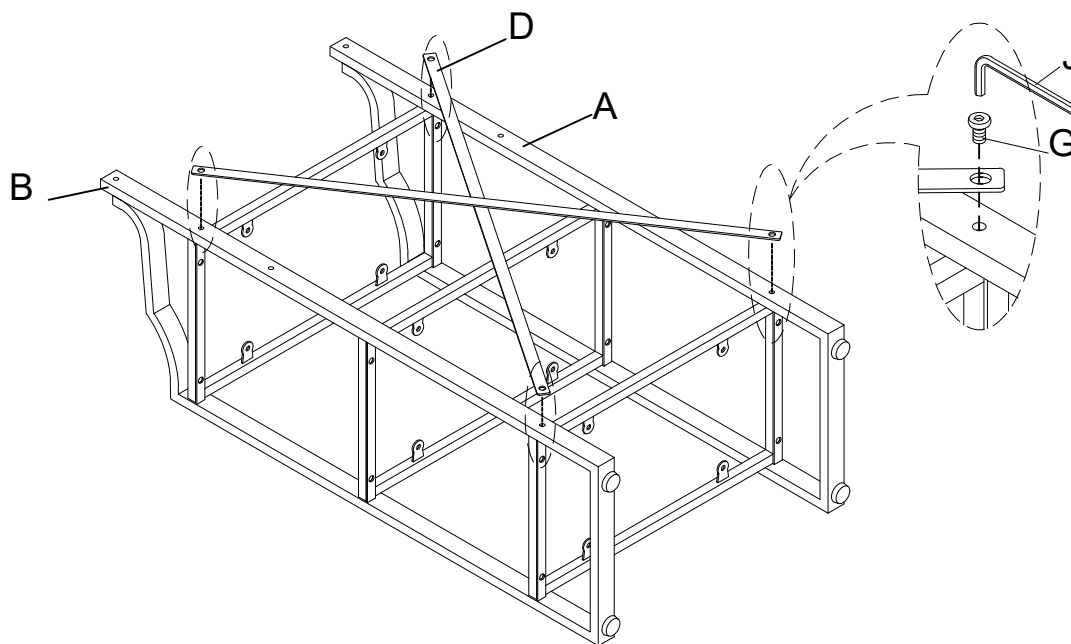
- 1** Assemble Leveler (I) to the bottom of Side Frame - LSF (A) & Side Frame - RSF (B) as below shown.



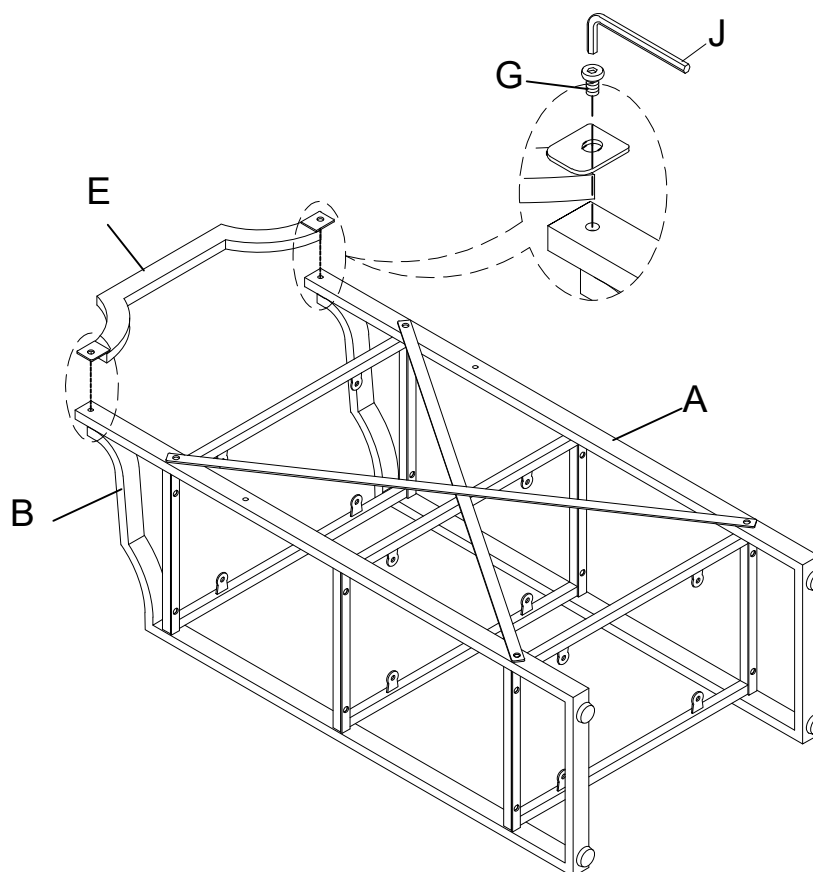
- 2** First, assemble Shelf Frame (C) to Side Frame - LSF (A) & Side Frame - RSF (B), using Bolt (G) by Allen Key (J) as below shown.



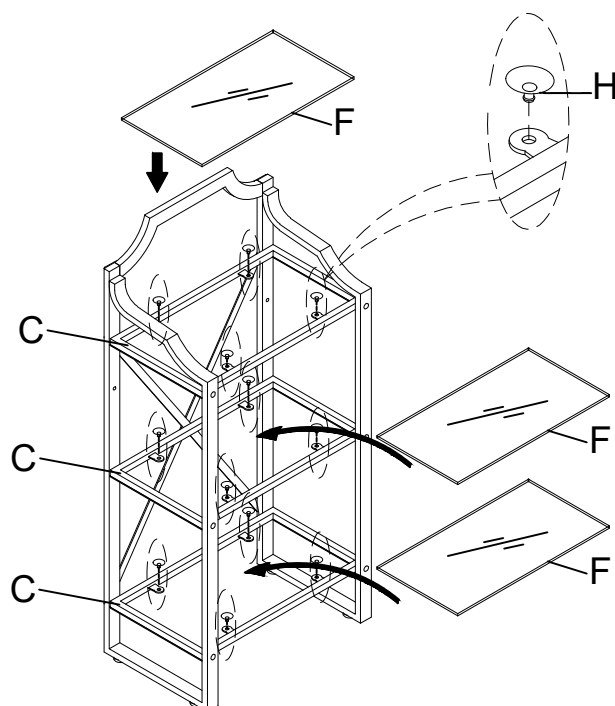
3 Assemble Cross Bar (D) to Side Frame - LSF (A) & Side Frame - RSF (B), using Bolt (G) by Allen Key (J) as below shown.



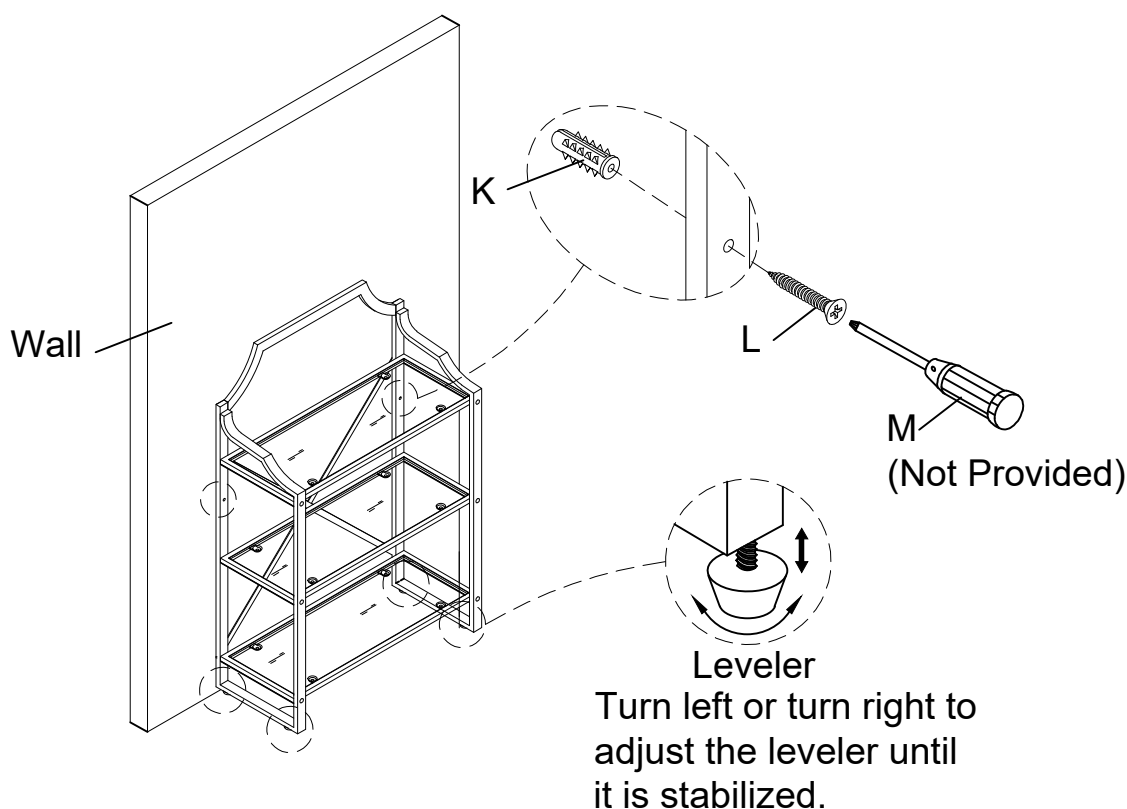
4 Assemble Connect Bar (E) to Side Frame - LSF (A) & Side Frame - RSF (B), using Bolt (G) by Allen Key (J) as below shown.



- 5** Assemble Sucker (H) to each Shelf Frame (C) first, then put Shelf Board (F) on the Sucker (H) as below shown.



- 6** Remark: Drill a hole on the wall, assemble the Wall Anchor (K) into the hole, then using Wood Screw (L) to lock the Space Saver with the Wall Anchor (K) by Screwdriver (M) as below shown.



Cleaning & Care

Treat surface with care. Surface is resistant to scratches but is not scratch resistant. Clean surfaces with a dry or damp soft cloth. Do not use abrasive cleaners. Hardware may loosen over time. Periodically check that all connections are tight.