

⚠ WARNINGS AND CAUTIONS

Released Date: 2025-02-12

READ AND SAVE THESE INSTRUCTIONS

Please read and understand this entire manual before attempting to assemble, install or operate the product. This installation is to be in accordance with the National Electrical Code, ANSI/NFPA 70 and local codes.

This appliance is not intended for use by persons (including children) with reduced physical, sensory or mental capabilities, or lack of experience and knowledge, unless they have been given supervision or instruction concerning use of the appliance by a person responsible for their safety.

Children should be supervised to ensure that they do not play with the appliance.

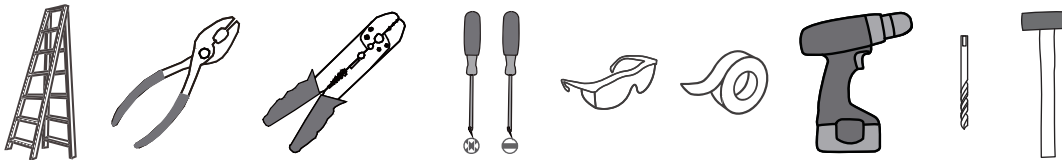
WARNING - TO REDUCE THE RISK OF FIRE, THE RISK OF ELECTRIC SHOCK, OR PERSONAL INJURY:

- The means for disconnection must be incorporated in fixed wiring in accordance with the wiring rules.
- Disconnect the electrical supply before installation.
- Disconnect the electrical supply circuit to the fan before installing light kit.
- Use bulbs specified by the markings and/or labels on the fixture.
- DO NOT bend the blades when installing the fan, or cleaning the fan. Do not insert foreign objects in between rotating fan blades.
- Check that the outlet box is securely installed in place such that it is able to support at least the fan weight.
- Mount to outlet box marked (acceptable for fan support of 22.7kg(50lbs) or less) and use mounting screws provided with the outlet box.
- All set screws must be checked, and re-tightened where necessary, before installation.
- After making the wire connections, the wires should be spread apart with the grounded conductor and the equipment-grounding conductor on one side of the outlet box and the ungrounded conductor on the other side of the outlet box.
- DO NOT use this fan with any solid-state speed control device.
- DO NOT use replacement parts that have not been recommended by the manufacturer (e.g. Parts made at home using 3D printer).
- The replacement of parts of the safety suspension system device shall be performed by the manufacturer, its service agent or suitably qualified persons.
- The mounting of the suspension system shall be performed by the manufacturer, its service agent or suitably qualified persons.
- Use only with light kits marked suitable for use in damp locations.
- If unusual oscillating movement is observed, immediately stop using the ceiling fan and contact the manufacturer, its service agent or suitably qualified persons.
- This unit weighs 11.08 kg (24.37 lbs).

CAUTION

- For your safety, read instructions completely before beginning installation.
- If in doubt about electrical installation, consult a licensed electrician.
- Disconnect fixture from the power source before replacing bulbs or cleaning. Make sure the bulbs are given sufficient time to cool before removing.

TOOLS REQUIRED

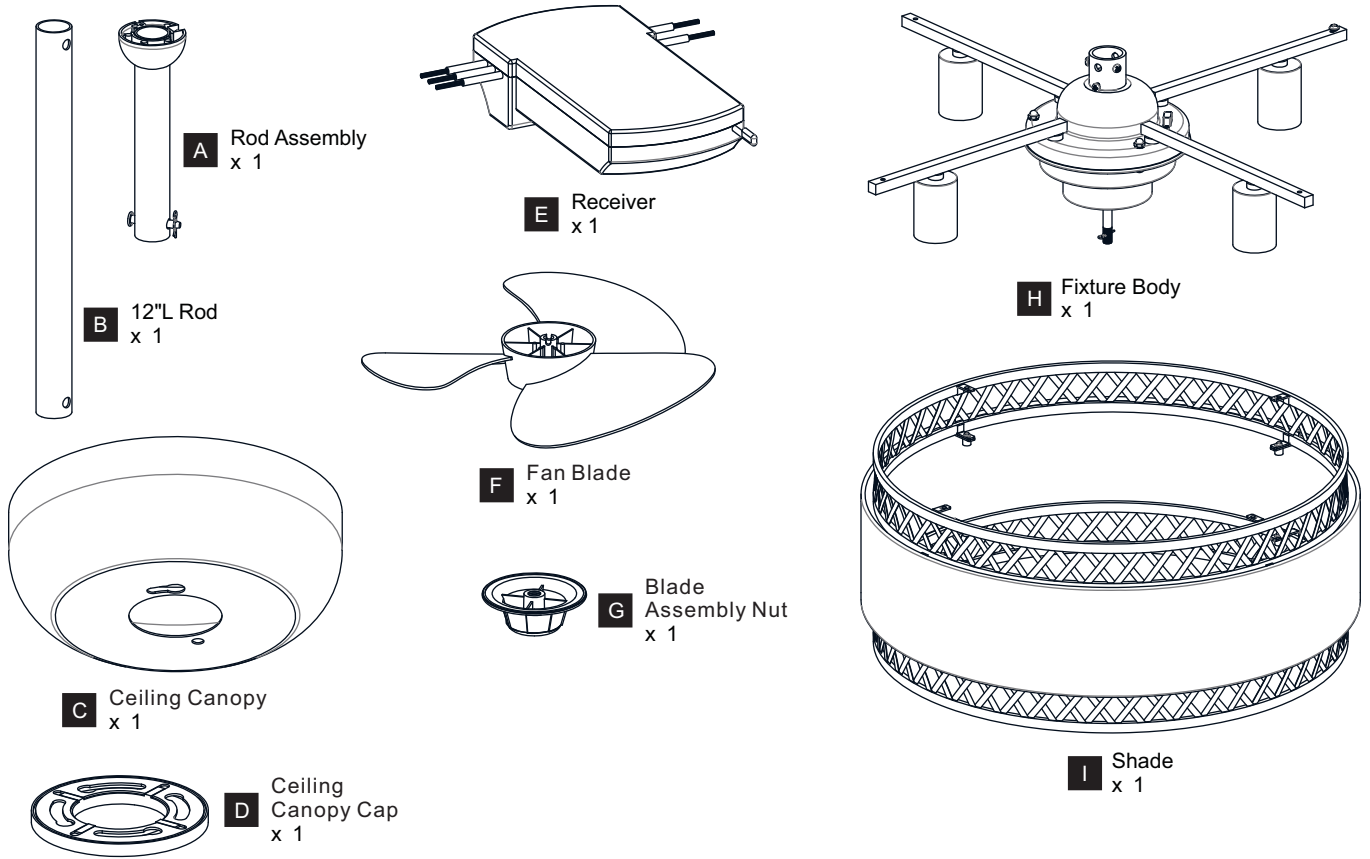


CARE AND MAINTENANCE

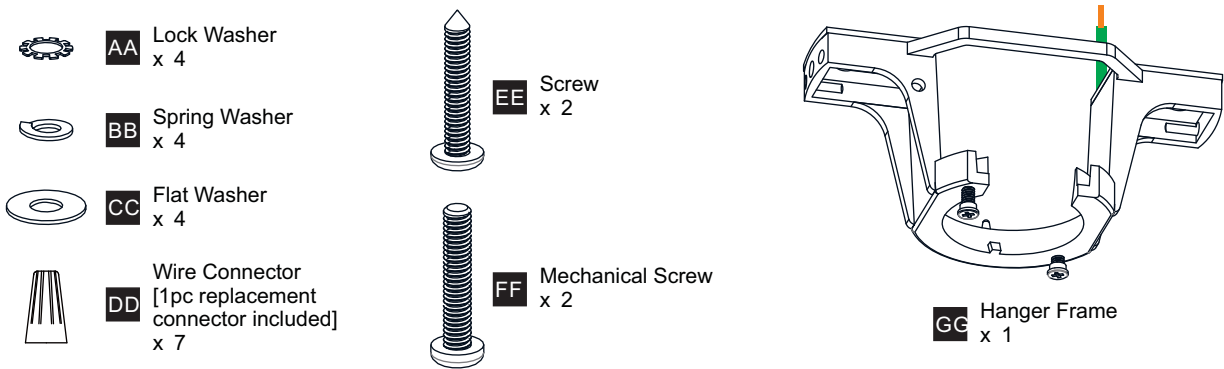
- Clean this fan once a year.
- Wipe clean using soft, dry cloth or static duster. Always avoid using harsh chemicals and abrasives to clean fixture as they may damage the finish.

If you need further assistance call Quozel Customer Care at 1-800-645-3184 (9:00am - 5:00pm EST), or visit us on-line at www.quozel.com.

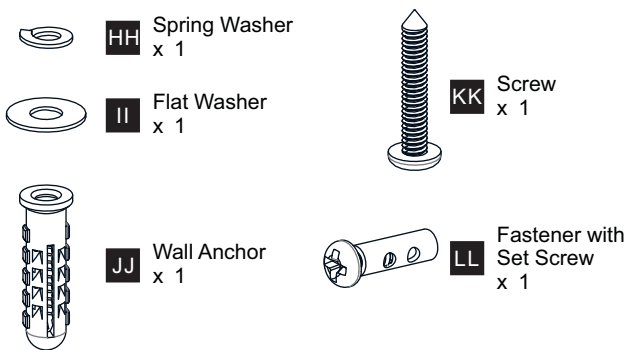
PACKAGE CONTENTS



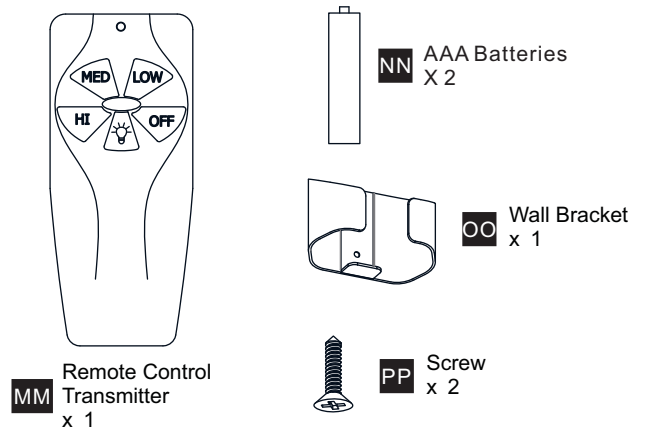
PACKAGE CONTENTS (PARTS BAG 1)



PACKAGE CONTENTS (PARTS BAG 2)



PACKAGE CONTENTS (PARTS BAG 3)



INSTALLATION

1 Install Shade to Fixture Body

2 Install Hanger Frame

Outlet box

9/64" pilot hole

CEILING

Use machine screws when securing to existing ceiling fan-rated outlet box that supports of 50 lbs (22.72 kg) or less.

Use wood screws When securing to support structure with approved electrical outlet box. Drill 9/64" pilot holes.

This fan cannot be used for the ceiling which angle is greater than 19 degree.

For angled ceilings, point opening toward peak.

3 Choose Rod

OPTION 1
Standard Downrod (Included - Pre-assembled) for ceilings 11 Feet high

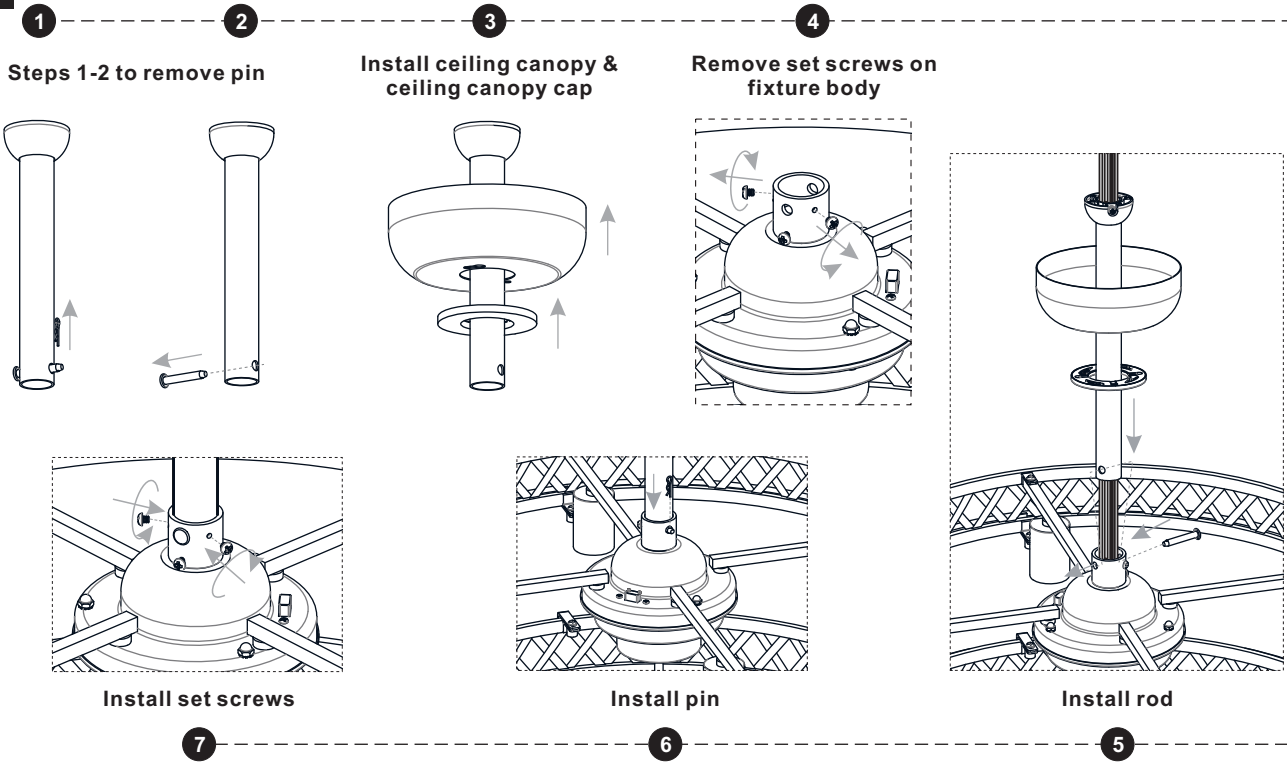
OPTION 2
Longer Downrod (Included) for angled ceilings or ceilings 12 Feet or higher

SKIP TO NEXT STEP

Steps 1-3 to remove standard downrod

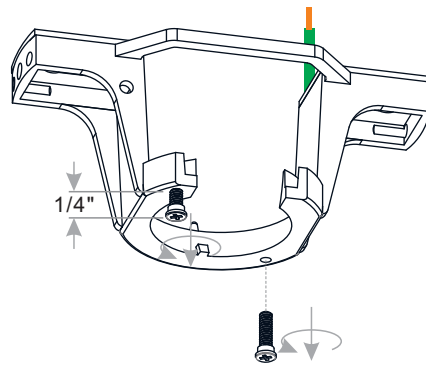
Steps 4-6 to assemble longer downrod

4 Install Rod to Fixture Body

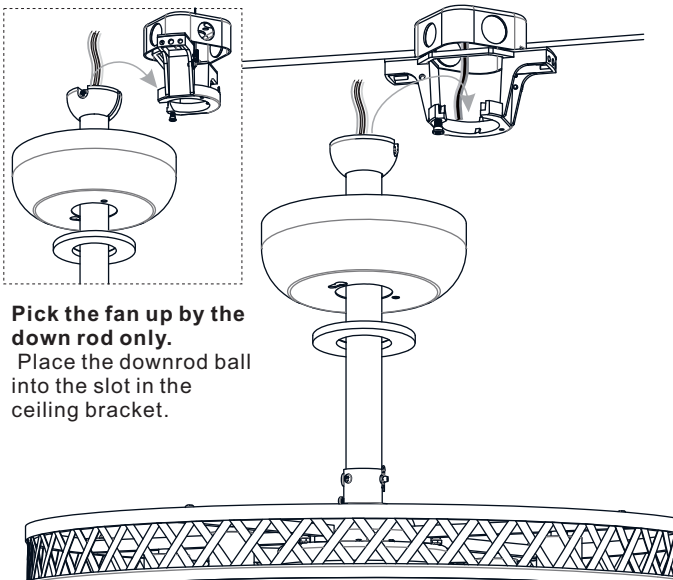


5 Loosen Shoulder Screws

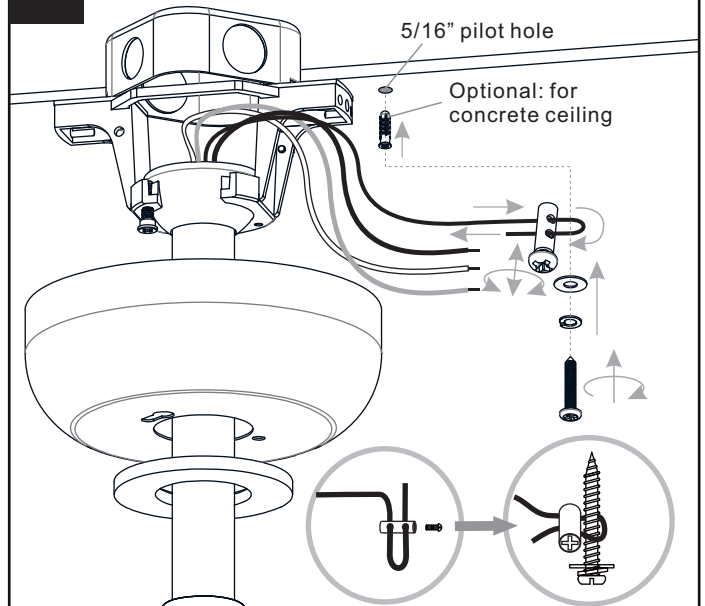
Remove one shoulder screw from hanger frame. Loosen the other shoulder screw approximate 1/4" and retain it on the hanger frame.



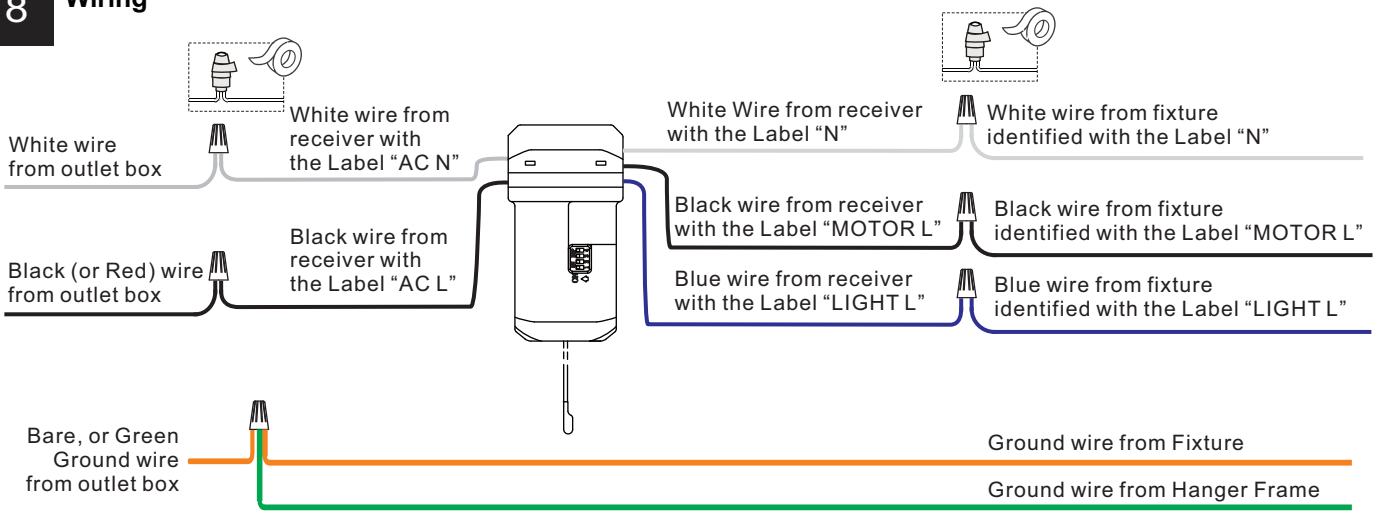
6 Install Rod to Hanger Frame



7 Install Safety Cable

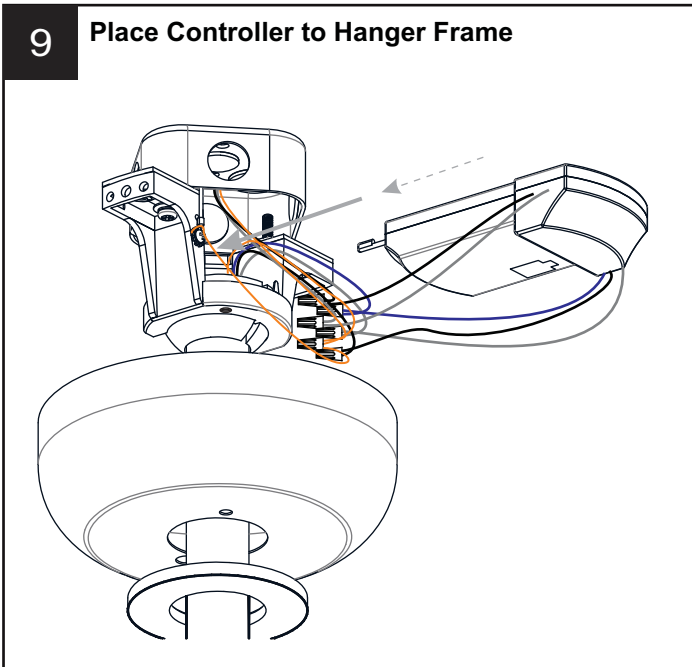


8 Wiring



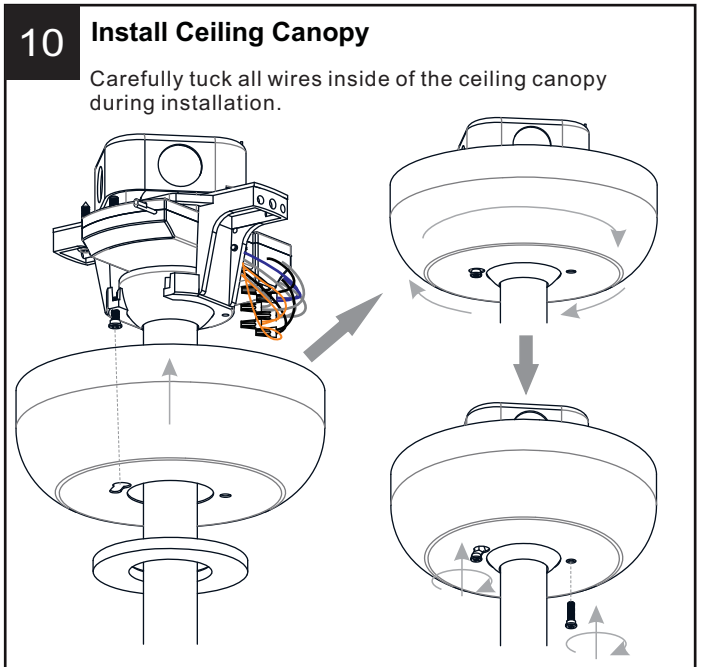
NOTE: Wrap each connections with the tape. Turn upward the connections and push them carefully into the outlet box.

9 Place Controller to Hanger Frame

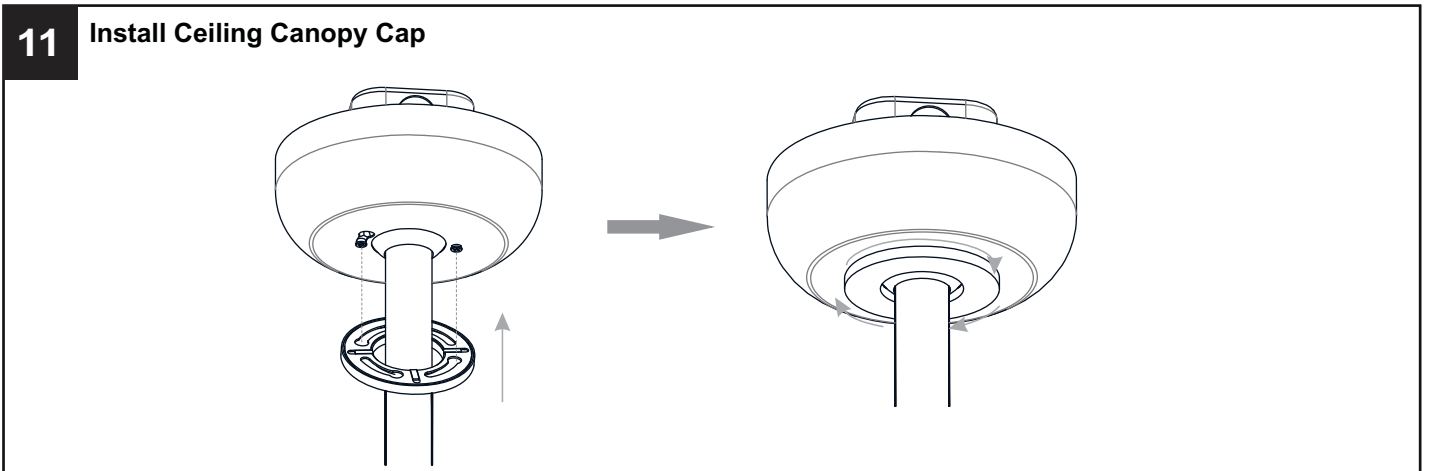


10 Install Ceiling Canopy

Carefully tuck all wires inside of the ceiling canopy during installation.



11 Install Ceiling Canopy Cap




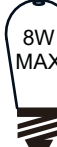
12 Install Fan Blade

- 1 Remove pin**
- 2 Attach fan blade**
- 3 Install pin**
- 4 Install blade assembly nut**

13 Install Bulbs

Install four correct bulbs referring to fixture markings and/or labels for maximum wattage.

Recommended Bulb Type (not included):

 BULB BASE TYPE Medium (E26)	 BULB TYPE TYPE S LED
--	---

14 Install Wall Bracket

WALL

15 Install AAA Batteries to Remote Control Transmitter

- 1 Remove back cover**
- 2 Match the codes on receiver and remote**
- 3 Insert AAA batteries**
- 4 Install back cover**


Remove the rubber stopper from the receiver. Then the code must be the same for both receiver and remote. Place the previously removed rubber stopper back in the receiver.

Antenna

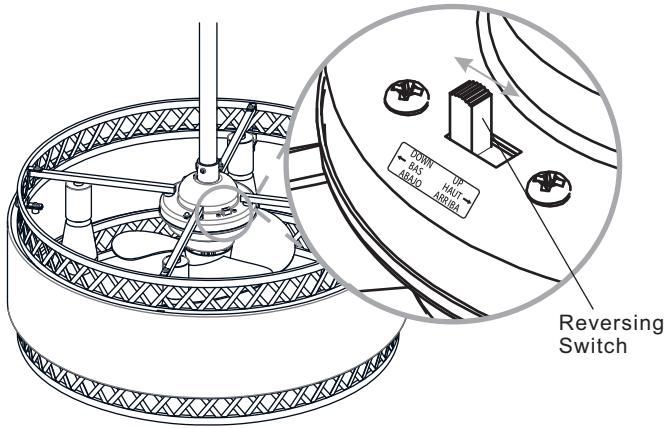
Remote

AAA Batteries

OPERATION:

- 1. Light button :** Press it to turn on the lights. Press it again to turn off the lights. Long press it, the bulbs will be dimmable.
- 2. HI, MED, LOW, OFF buttons:** To adjust fan speed.

16 Reverse Fan Blade (Optional)



Reverse Switch Information		
Season	Rotation Direction	Switch Position
Summer	Clockwise	Left
Winter	Counterclockwise	Right

Note:

1. If airflow is desired in the opposite direction, turn the fan off and wait for the blades to stop turning.
2. Push the reverse switch to Left or Right completely.

Your installation is now complete! Restore electricity and save this sheet for future reference.