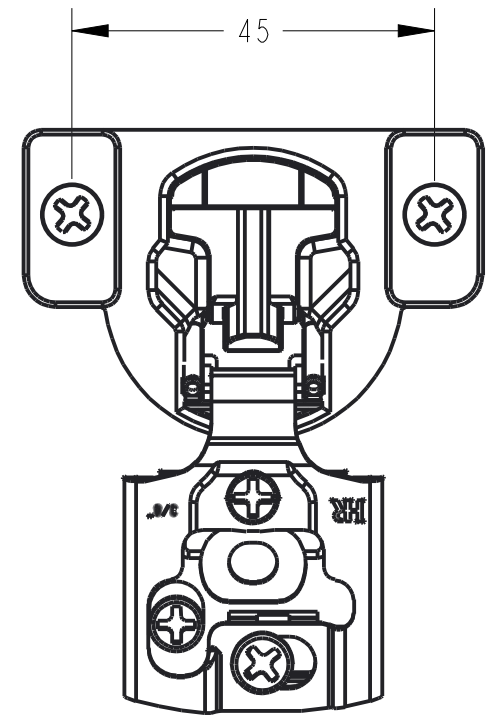
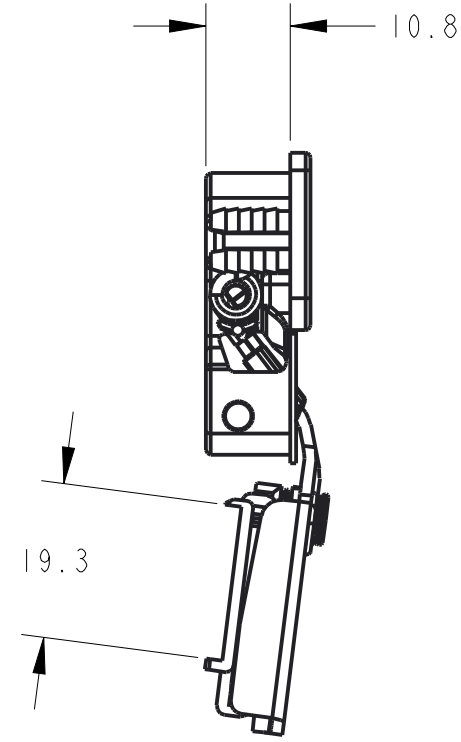
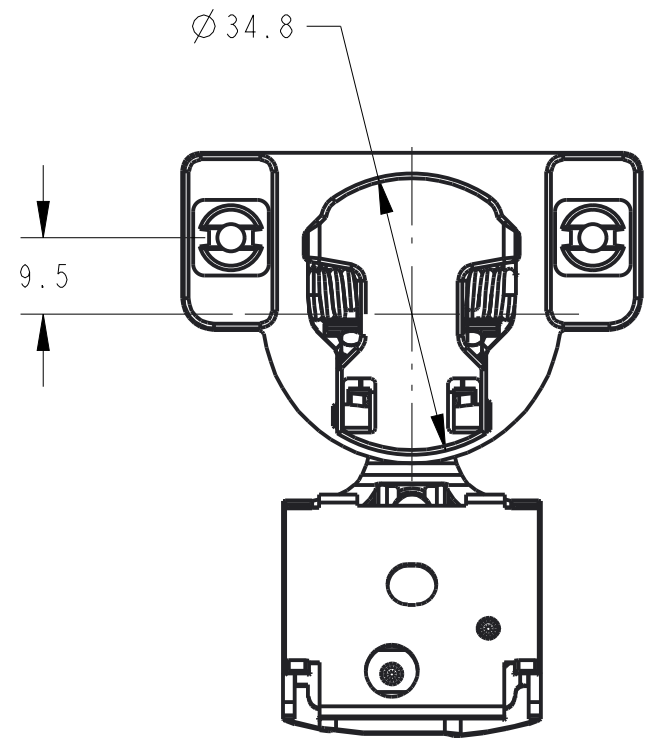
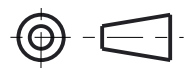


VARIANT TABLE			
HR ITEM NUMBER	PRODUCT DESCRIPTION	A	B
7390-038	7390 HINGE, COMPACT SOFTCLOSE, 3/8" OVERLAY	9.5	5.2
7390-716	7390 HINGE, COMPACT SOFTCLOSE, 7/16" OVERLAY	11.1	4.8
7390-2-000	7390 HINGE, COMPACT SOFTCLOSE, 1/2" OVERLAY	12.7	4.8
7390	7390 HINGE, COMPACT SOFTCLOSE, 1/2" NO DOWEL	12.7	4.8
7390-6-000	7390 HINGE, COMPACT SOFTCLOSE, 3/4" OVERLAY	19	4.8
7391-000	7390 HINGE, COMPACT SOFTCLOSE, 1" OVERLAY	25.4	5
7394-000	7390 HINGE, COMPACT SOFTCLOSE, 1 1/4" OVERLAY	31.8	5
7393-000	7390 HINGE, COMPACT SOFTCLOSE, 1 3/8" OVERLAY	34.8	5
7392-000	7390 HINGE, COMPACT SOFTCLOSE, 1 1/2" OVERLAY	38	5
7390-058	7390 HINGE, COMPACT SOFTCLOSE, 5/8" OVERLAY	15.8	4.8



THIRD ANGLE PROJECTION



MATERIAL	FINISH
STEEL	NICKEL PLATE



DESCRIPTION
7390 HINGE, COMPACT SOFT CLOSE

DOCUMENT STATUS Released

DRAWN BY BAMENKE	DATE 08FEB17
DESIGNED BY SOURCED	DATE N/A
APPROVED BY DMcGREGOR	DATE 21FEB17

DRAWING NUMBER 7390		REV B
SIZE A3	SCALE N/A	SHEET 1 / 1

HARDWARE RESOURCES RESERVES THE RIGHT TO CHANGE SPECIFICATIONS WITHOUT NOTICE.
IN CASE OF A DISCREPANCY, ACTUAL PART GEOMETRY SUPERSEDES THIS DOCUMENT.

THE INFORMATION CONTAINED WITHIN THIS DRAWING IS THE SOLE PROPERTY OF HARDWARE RESOURCES INC. ANY REPRODUCTION IN PART OR WHOLE WITHOUT WRITTEN PERMISSION OF HARDWARE RESOURCES INC. IS PROHIBITED.