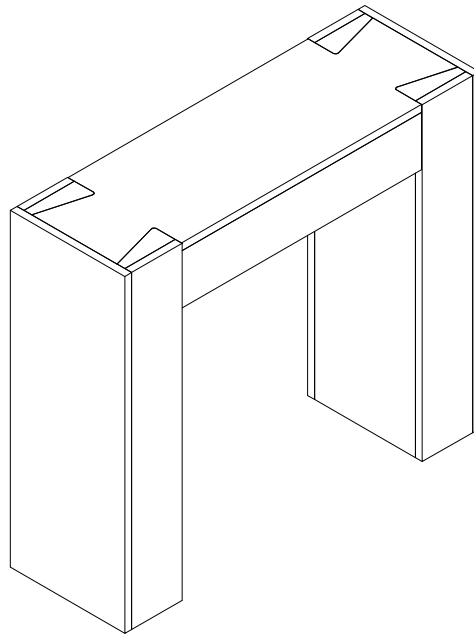


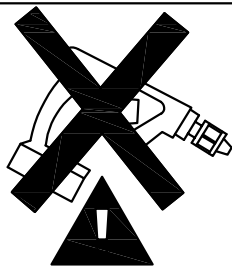
ASSEMBLY INSTRUCTION

Console Table 910mm

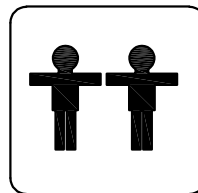


REPLACEMENT PARTS

*Please do not contact the company purchased from as we can help you faster.
Order replacement parts and hardware at " www.boltonfurniture.com "*

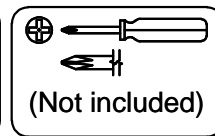
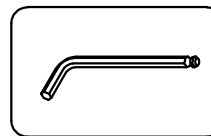


- . Use of power tool to assemble this product will invalidate any claim and damage this product making it unsafe !!!
- . Please assemble on a clean soft surface to avoid damage.



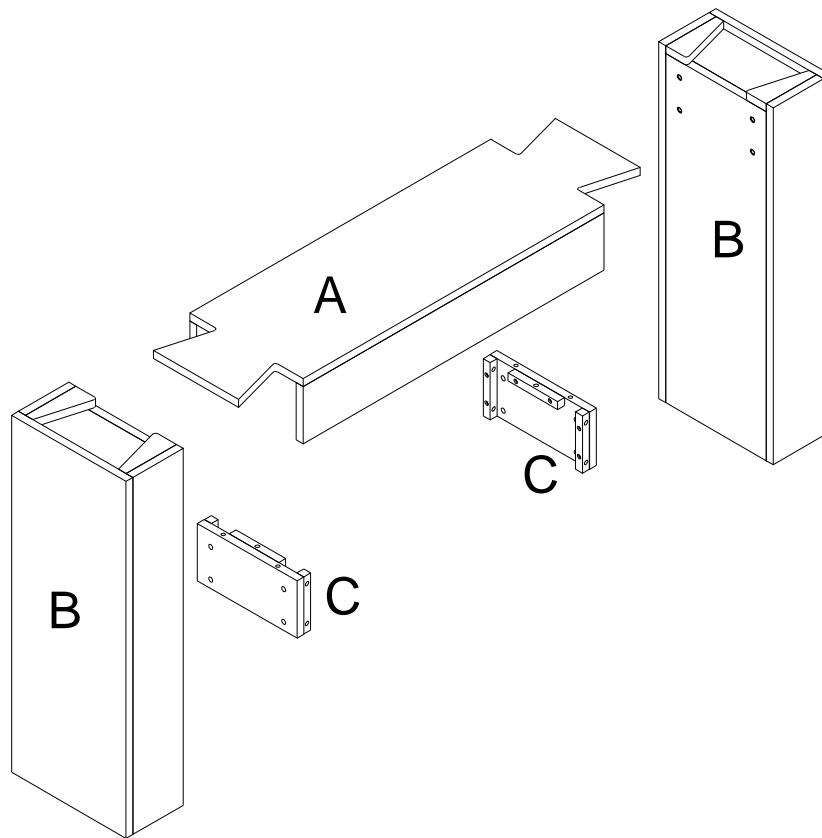
20 minutes

Tools Required

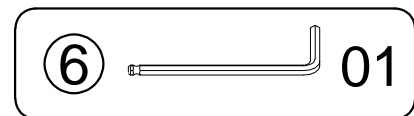
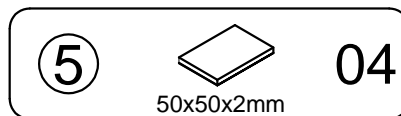
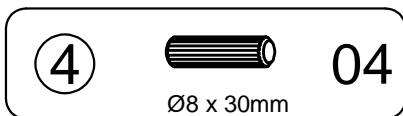
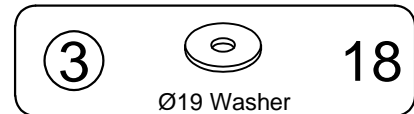
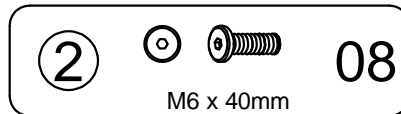
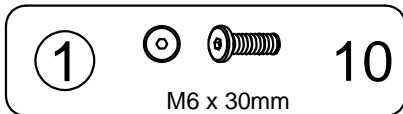


(Not included)

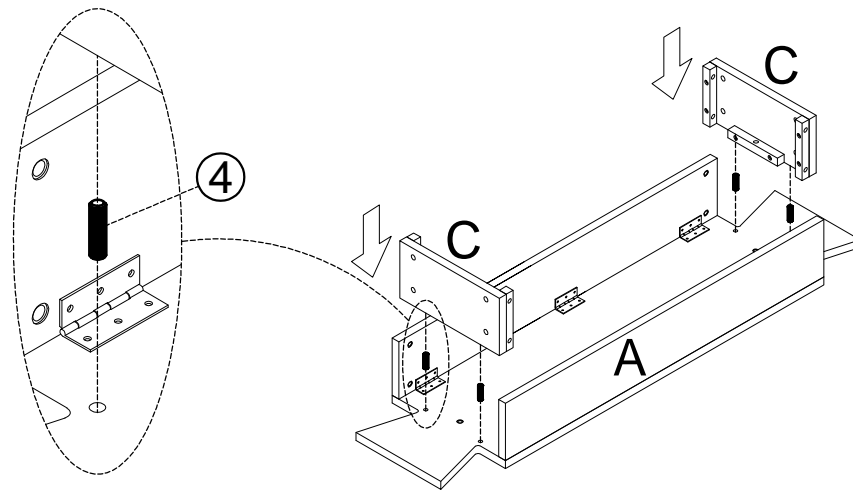
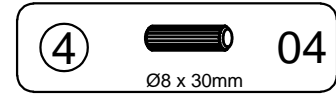
Part list - Console Table 910mm



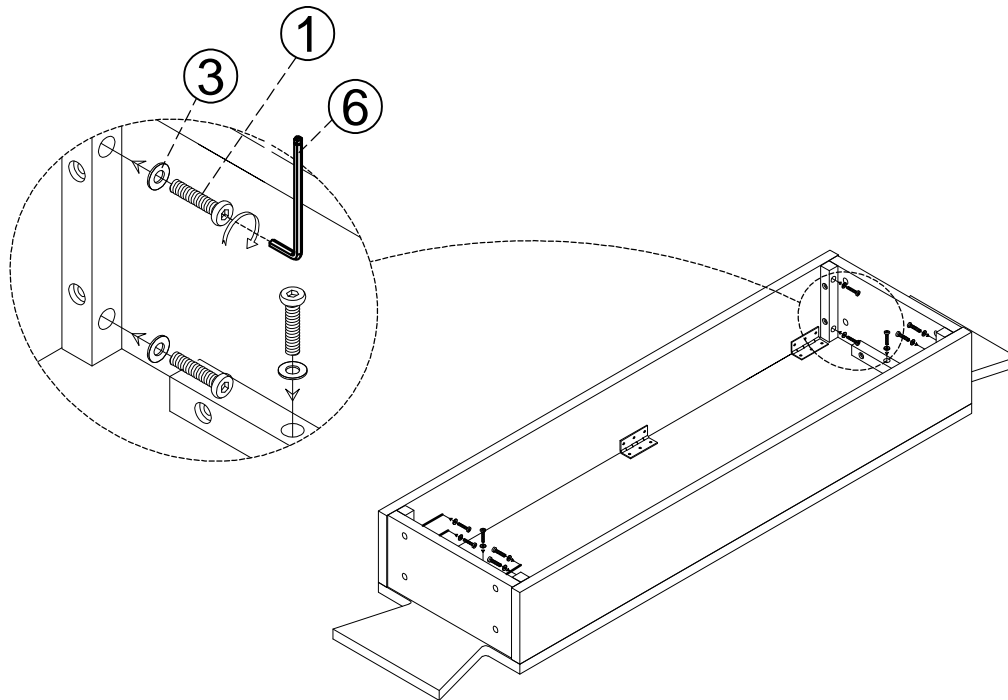
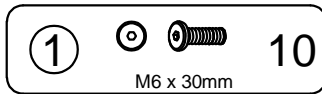
Identifying the hardware-*Identify the hardware using the illustrations below*



STEP 1



STEP 2



STEP 3

