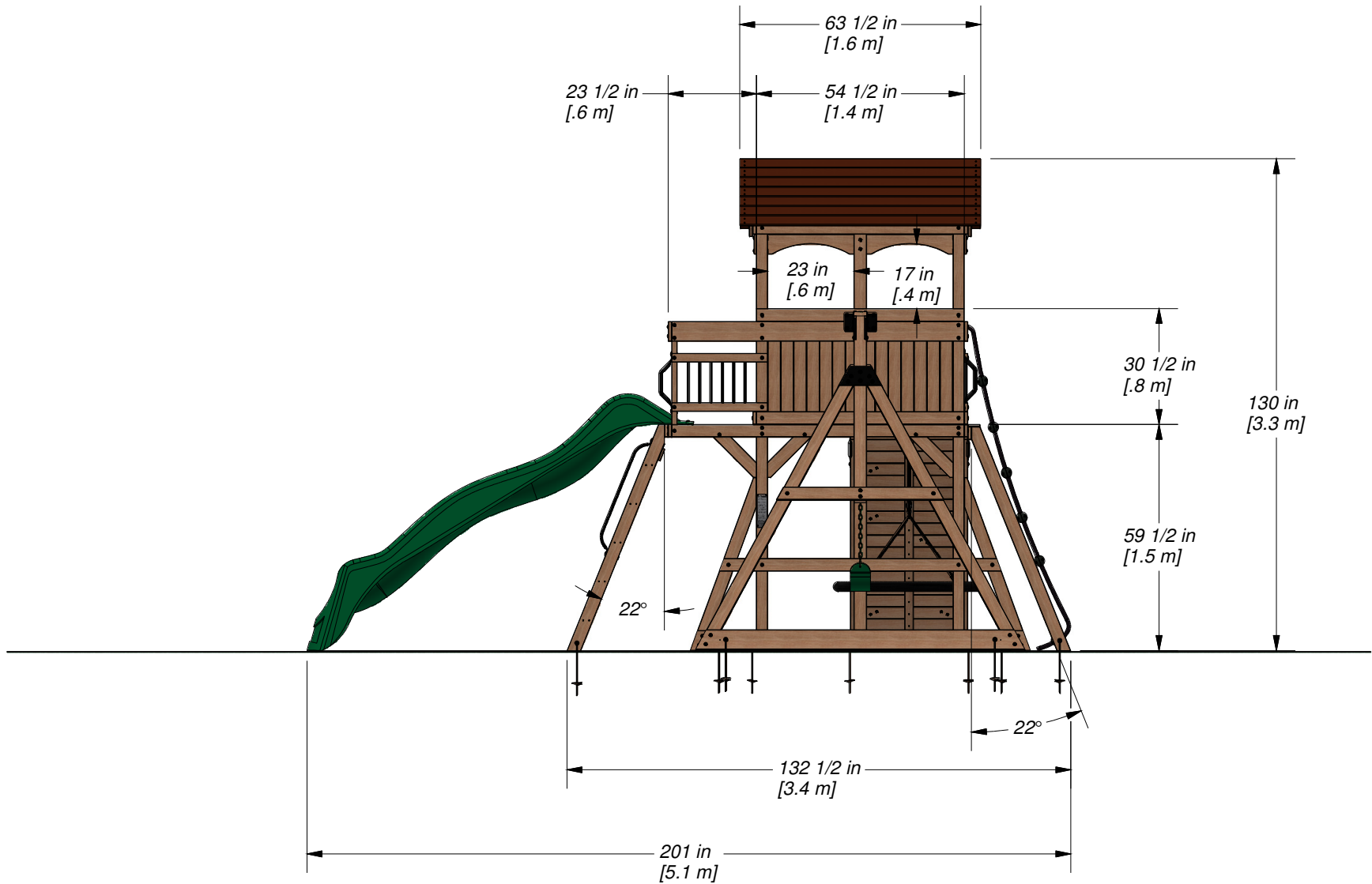
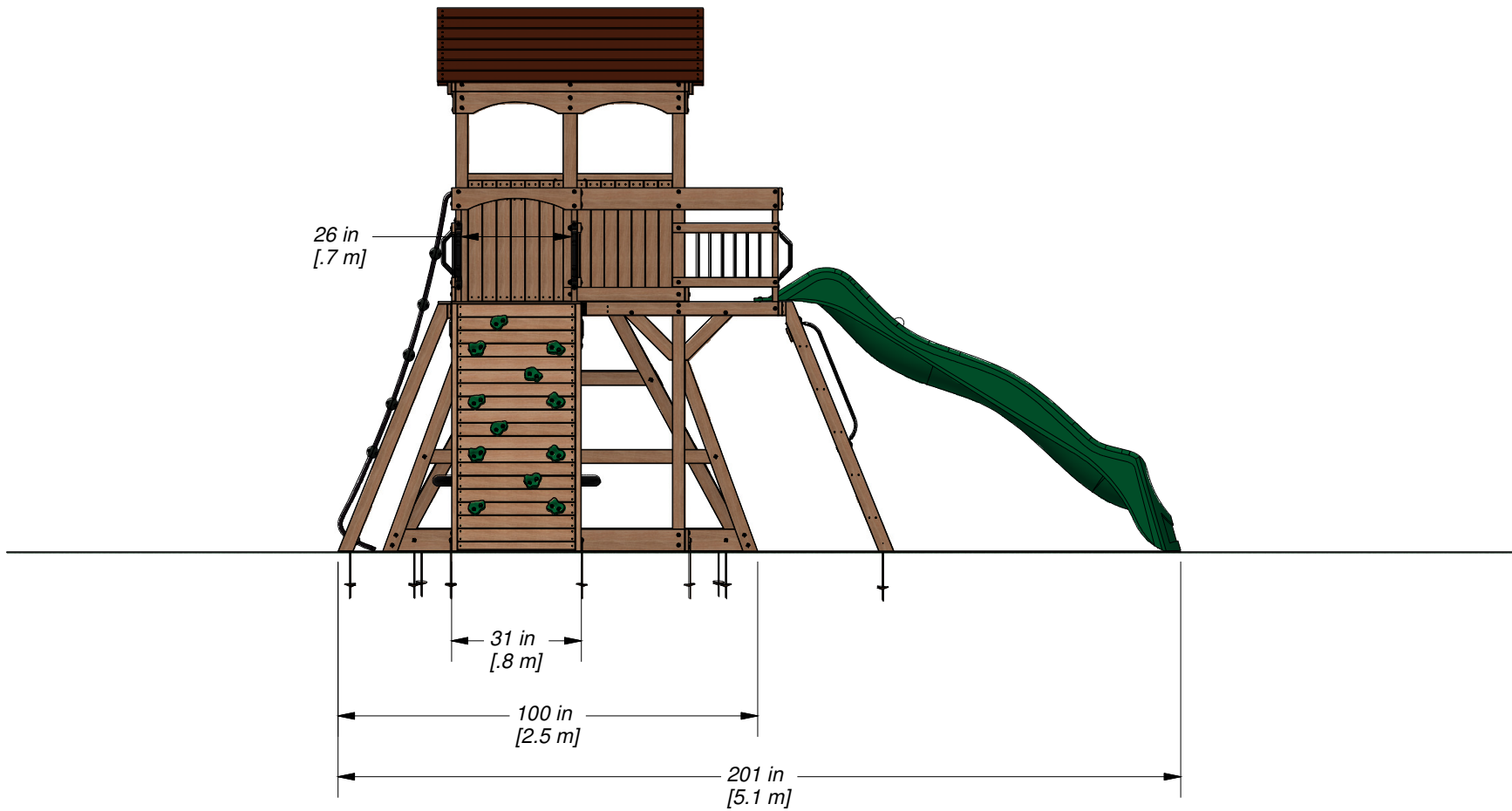


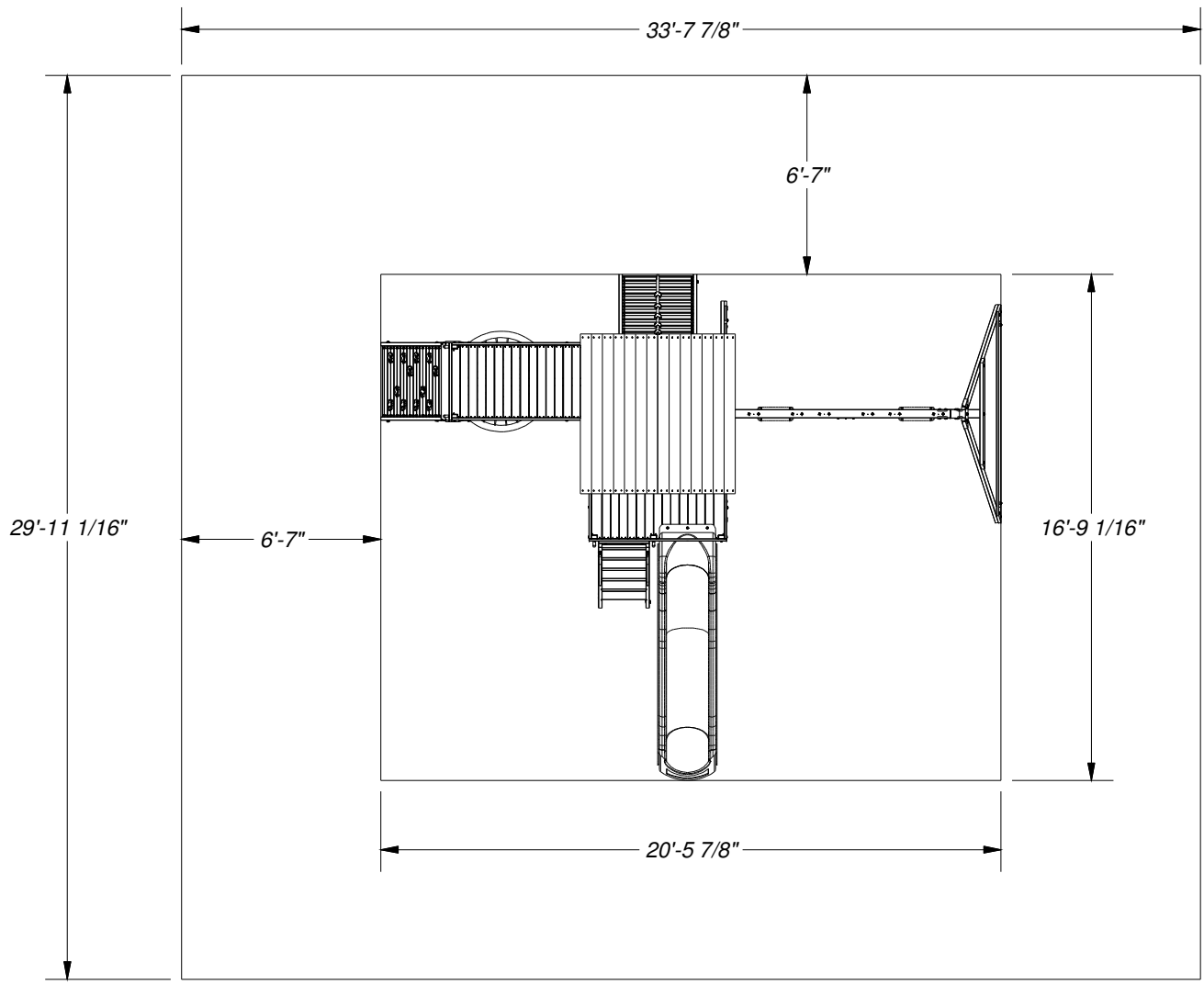
|                      |  |     |
|----------------------|--|-----|
| DRAWN BY<br>wsmalley | DESCRIPTION                                      |     |
| DATE<br>3/17/2022    | PART NUMBER<br>2200227 STERLING POINT FOOT PRINT | REV |



|          |           |             |                                   |
|----------|-----------|-------------|-----------------------------------|
| DRAWN BY | wsmalley  |             | DESCRIPTION                       |
| DATE     | 3/17/2022 | PART NUMBER | 2200227 STERLING POINT FOOT PRINT |
|          |           | REV         |                                   |



| DRAWN BY  |  | DESCRIPTION                       |     |
|-----------|--|-----------------------------------|-----|
| wsmalley  |  |                                   |     |
| DATE      |  | PART NUMBER                       |     |
| 3/17/2022 |  | 2200227 STERLING POINT FOOT PRINT |     |
|           |  |                                   | REV |



|                                     |   |                    |
|-------------------------------------|---|--------------------|
| <small>DRAWN BY</small><br>wsmalley | <small>DESCRIPTION</small>                                      |                    |
| <small>DATE</small><br>3/17/2022    | <small>PART NUMBER</small><br>2200227 STERLING POINT FOOT PRINT | <small>REV</small> |