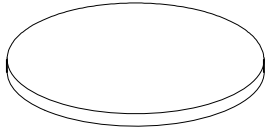


# ASSEMBLY INSTRUCTIONS

## 44" ROUND COUNTER HEIGHT TABLE WITH SHELF

**A** Table Top



1 PC

**D** Bolt  
Ø5/16" x 65mm



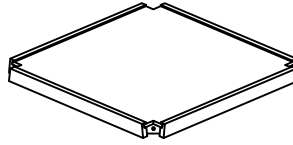
12 PCS

**G** Allen Wrench  
4mm



1 PC

**B** Table Shelf



1 PC

**E** Spring Washer  
Ø5/16" x Ø13mm x 2mm



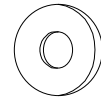
12 PCS

**C** Table Leg

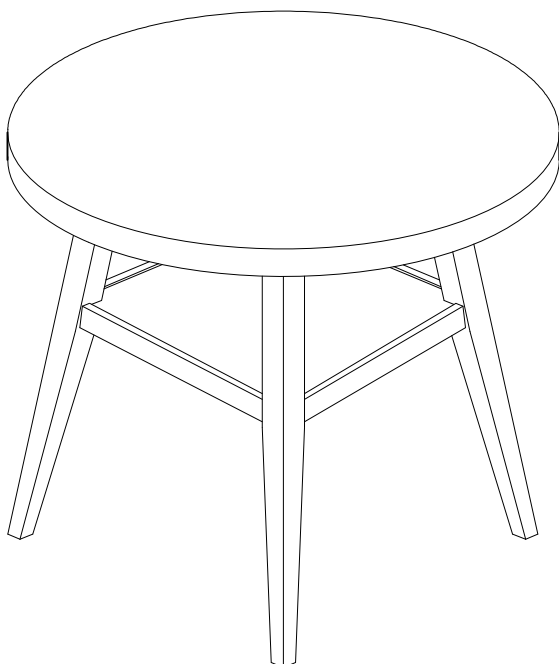


4 PCS

**F** Flat Washer  
Ø5/16" x Ø19mm x 2mm

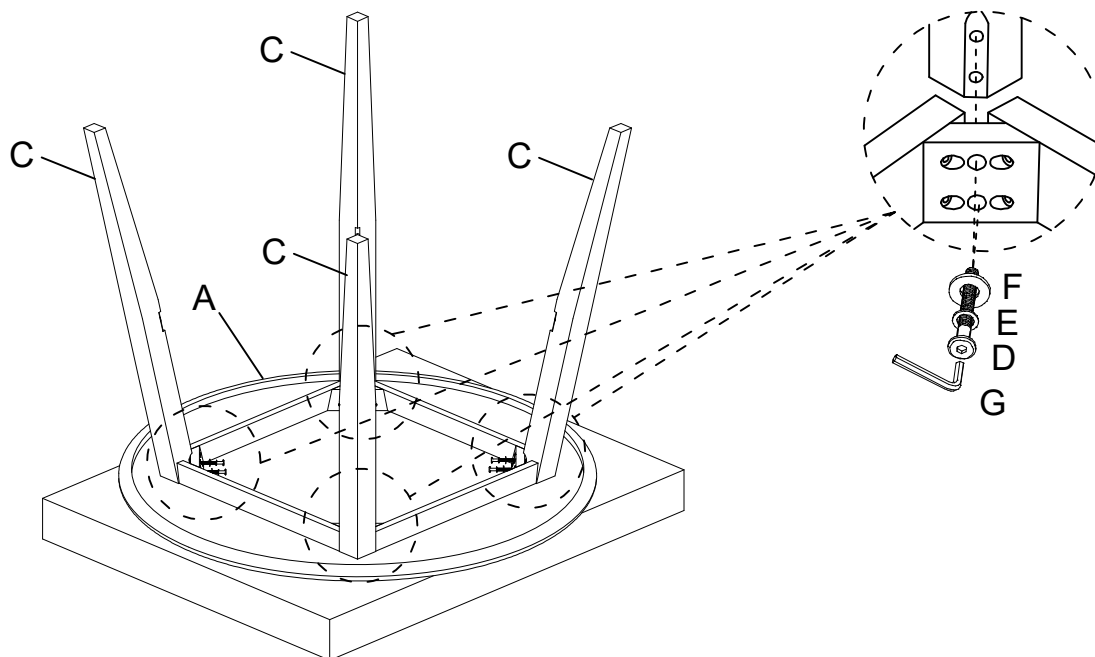


12 PCS

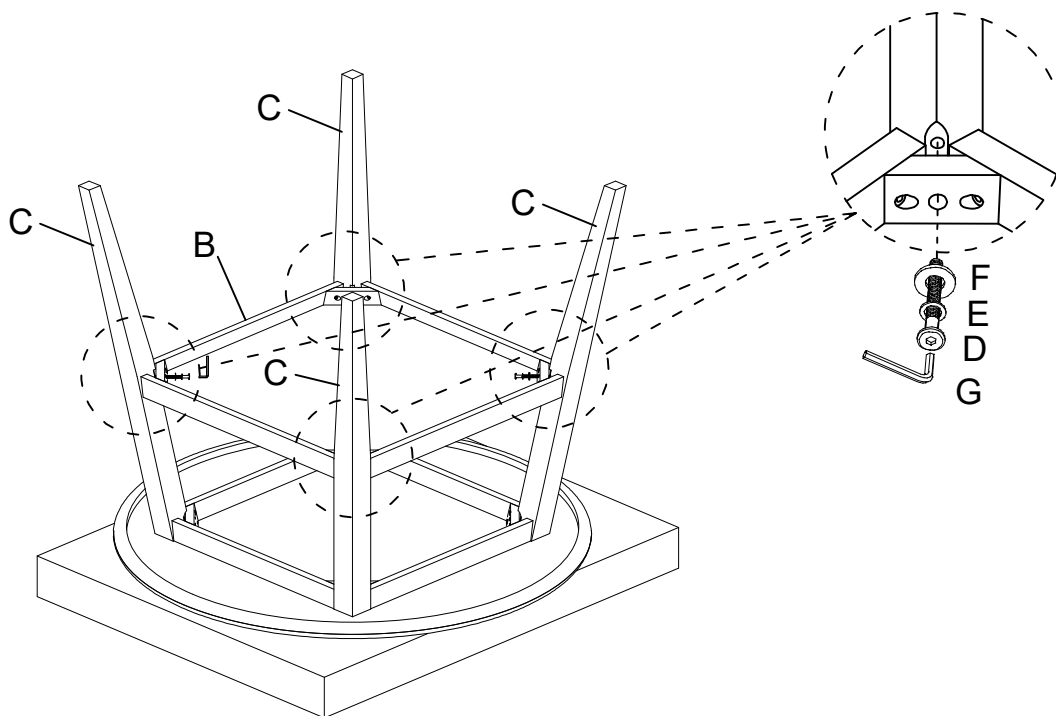


This page lists all the contents included in the box. Please take the time to identify the hardware as well as the individual components to this product. As you unpack and prepare for assembly, place the contents on a carpeted or padded area to protect them from damage.

**1** Attach Table Leg (C) to Table Top (A) using Bolt (D), Spring Washer (E) and Flat Washer (F) with Allen Wrench (G). Do not fully tighten the bolts in this step.



**2** Attach Table Shelf (B) to Table Leg (C) using Bolt (D), Spring Washer (E) and Flat Washer (F) with Allen Wrench (G). Fully tighten all the bolts in this step.



### Cleaning & Care

Treat surfaces with care. Surfaces are resistant to scratches but are not scratch resistant. Clean surfaces with a dry or damp soft cloth. Do not use abrasive cleaners. Hardware may loosen over time. Periodically check that all connections are tight.