

Pool Breakdown

Samoan 18'x33' Oval 52"

NB1650

| | |
|---|--|
| <p><u>FEATURES:</u> Oval Size: 18x33 Depth: 52+ 30 Year Warranty</p> | <p><u>STRUCTURE COMPOSITION:</u> Rugged Steel Frame Polymer Seat Caps Protective Wall Coatings</p> |
|---|--|

| | Qty | Carton # | Carton Content Description |
|--------------------------|-----|-------------------------|--|
| <input type="checkbox"/> | 1 | 331852-8BN-EX-2 | SAMOAN . 8 INCH TOP SEAT; 8 INCH VERTICAL; INSTRUCTIONS; PAPERWORK |
| <input type="checkbox"/> | 1 | 3318-8P-EX-3 | SAMOAN . 7 IN JOINTS, UPPER & LOWER; 8 IN SEAT COVER; 8 IN SEAT COVER BRACKET; 8 IN SIDE SEAT COVER; RESIN SIDE UPPER JOINT; SIDE LOWER RAIL JOINT; SEAT COVER ASSEMBLY BOLT PACKAGE |
| <input type="checkbox"/> | 1 | 3318-5/8RAIL-2 | SAMOAN . 5/8 INCH RAIL |
| <input type="checkbox"/> | 1 | 331852-RG11-EX-A | SAMOAN . SIDE VERTICAL; BRACE; HORIZONTAL SUPPORT; STRAPS; OVAL FRAME BOLT PACKAGE; PRESSURE PLATE |
| <input type="checkbox"/> | 1 | 331852-SNS-W | SAMOAN . WALL (SUNSET GREY PATTERN); PLASTIC EDGING; 52+WALL JOINT PACKAGE |

Carton Breakdown

Samoan 18'x33' Oval 52"

NB1650

| Key # | Qty | Item # | Mfg Part # | Part Description | |
|---|-----|--------|------------|------------------|---------------------------------|
| FRAME CARTON # 331852-8BN-EX-2 | | | | | |
| <input type="checkbox"/> | 1 | 12 | NBP1045 | 2384 | 8in Vertical (52+High) |
| <input type="checkbox"/> | 6 | 18 | NBP1044 | 1184 | 8in Top Seat L=1444mm (56-7/8+) |
| <input type="checkbox"/> | --- | 1 | ----- | 0022 | Warranty |
| <input type="checkbox"/> | --- | 1 | ----- | 0023 | Safety Decals |
| <input type="checkbox"/> | --- | 1 | ----- | 0024 | Parts List + Frame Instruction |
| <input type="checkbox"/> | --- | 1 | ----- | 0025 | Safety Booklet |
| RAIL CARTON # 3318-5/8RAIL-2 | | | | | |
| <input type="checkbox"/> | 4 | 36 | NBP1055 | 1618 | 5/8in Rail L=1431mm (56-3/8+) |
| FRAME CARTON # 3318-8P-EX-3 | | | | | |
| <input type="checkbox"/> | 2 | 12 | NBP1061 | 2176 | 7in Resin Joint - Upper |
| <input type="checkbox"/> | 7 | 12 | NBP1047 | 2483 | 8in Seat Cover Bracket |
| <input type="checkbox"/> | 8 | 12 | NBP1046 | 2482 | 8in Seat Cover |
| <input type="checkbox"/> | 10 | 12 | NBP1062 | 2276 | 7in Resin Joint - Lower |
| <input type="checkbox"/> | 13 | 6 | NBP1048 | 3474 | 8in Side Seat Cover |
| <input type="checkbox"/> | 16 | 6 | NBP1070 | 3234 | 5/8in Side Lower Rail Joint |
| <input type="checkbox"/> | 19 | 6 | NBP1004 | 3177 | Resin Side Upper Joint |
| Seat Cover Assembly Bolt Package (Part # 3318 / Order # NBP1032) | | | | | |
| <input type="checkbox"/> | 3 | 192 | NBP1032 | 0341* | #12 Sheet Metal Screw |
| <input type="checkbox"/> | 3 | 18 | NBP1032 | 2402* | Resin Seat Cover Cap |

*These part #s are not available to purchase separately. They must be purchased as the Seat Cover Assembly Bolt Package, Order # NBP1032

Carton Breakdown

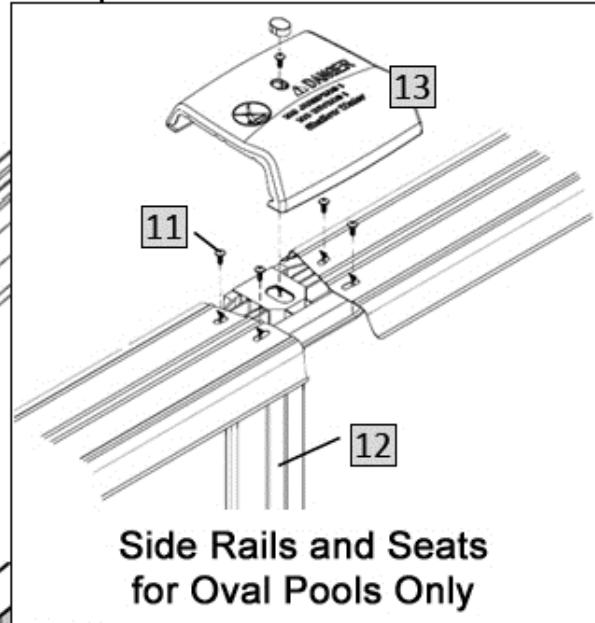
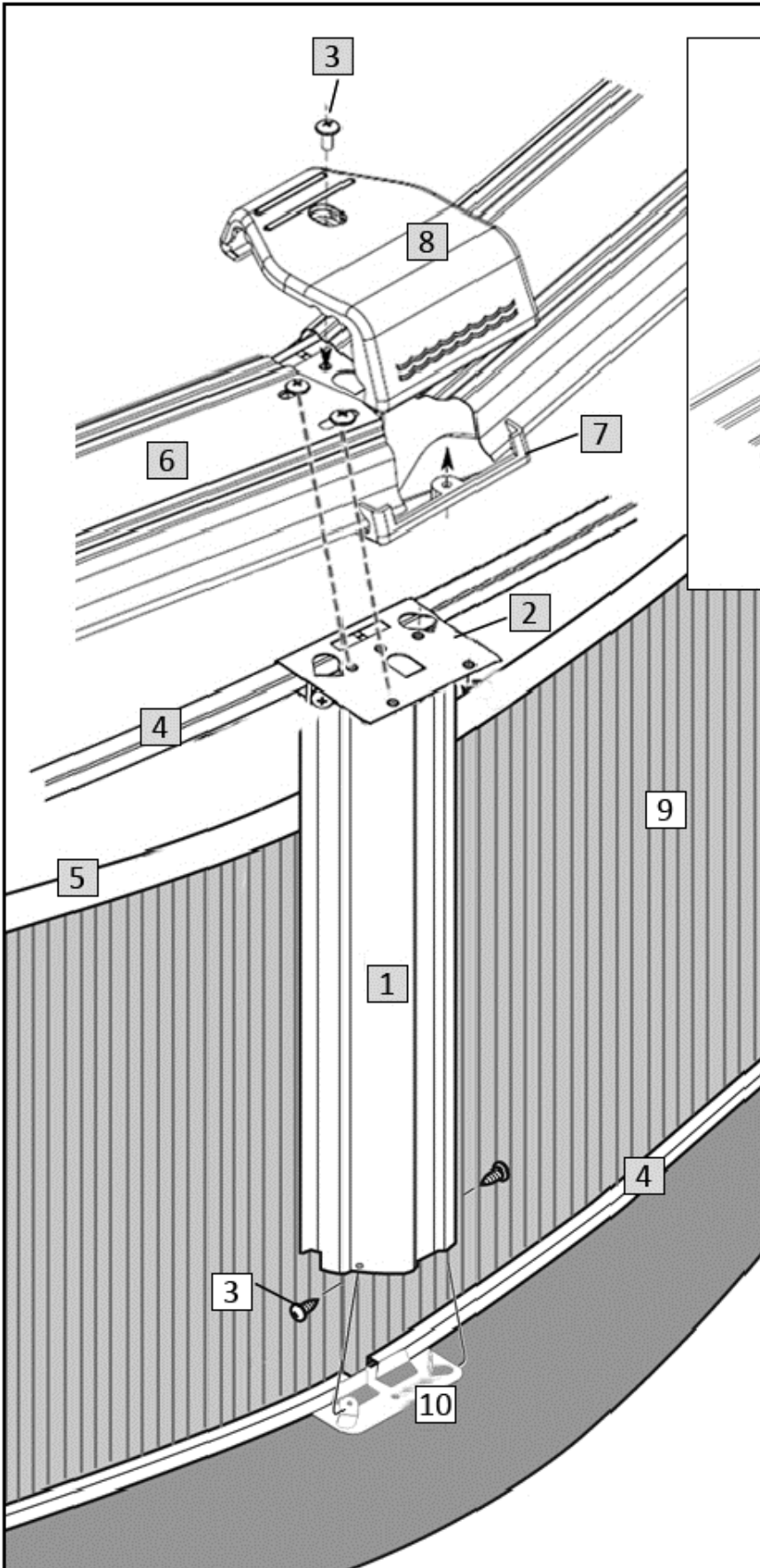
Samoan 18'x33' Oval 52" NB1650

| Key # | Qty | Item # | Mfg Part # | Part Description | |
|---|-----|--------|------------|------------------|------------------------------------|
| FRAME CARTON # 331852-RG11-EX-A | | | | | |
| <input type="checkbox"/> | 12 | 6 | NBP1006 | 3314 | Side Vertical |
| <input type="checkbox"/> | 14 | 6 | NBP1209 | 4106 | Brace |
| <input type="checkbox"/> | 15 | 6 | NBP1210 | 5239 | Horizontal Support |
| <input type="checkbox"/> | 17 | 6 | NBP1015 | 7264 | Middle Strap L=1405mm (55-3/8+) |
| <input type="checkbox"/> | 17 | 6 | NBP1012 | 7224 | End Strap L=1400mm (55-1/8+) |
| <input type="checkbox"/> | 18 | 6 | NBP1011 | 6254 | Pressure Plate L=680mm (26-3/4+) |
| <input type="checkbox"/> | --- | 1 | ----- | ----- | Braced Oval Pool Instructions |
| Braced Oval Frame Bolt Package (Part # 0104 / Order # NBP1000) QTY 3 | | | | | |
| <input type="checkbox"/> | 11 | 13 | NBP1000 | 0923* | M8 x 20 Hex Head Bolt |
| <input type="checkbox"/> | 11 | 13 | NBP1000 | 0423* | 10.5mm x 21mm x 2.0mm Plain Washer |
| <input type="checkbox"/> | 11 | 13 | NBP1000 | 0623* | M8 Nut |
| <input type="checkbox"/> | 11 | 8 | NBP1000 | 0341* | #12 Sheet Metal Screw |
| Strap Bolt Package (Part # 0106 / Order # NBP1002) QTY 3 | | | | | |
| <input type="checkbox"/> | 11 | 27 | NBP1002 | 0623* | M8 Nut |
| <input type="checkbox"/> | 11 | 27 | NBP1002 | 0923* | M8 x 20 Hex Head Bolt |
| WALL CARTON # 331852-SNS-W | | | | | |
| <input type="checkbox"/> | 5 | 20 | NL107 | 8100 | Plastic Edging |
| <input type="checkbox"/> | 9 | 1 | PC5113 | 52+Wall | Sunset Grey Wall |
| Wall Joint Bolt Package (Part # 0113 / Order # NBP1021) | | | | | |
| <input type="checkbox"/> | 3 | 26 | NBP1021 | 0513* | ¼+x ½+Truss Head Screw |
| <input type="checkbox"/> | 3 | 51 | NBP1021 | 0411* | ¼+Reinforcing Washer |
| <input type="checkbox"/> | 3 | 26 | NBP1021 | 0611* | ¼+Nut |

*These part #s are not available to purchase separately. They must be purchased as part of corresponding Bolt Package.

Samoaan 18'x33' Oval 52"

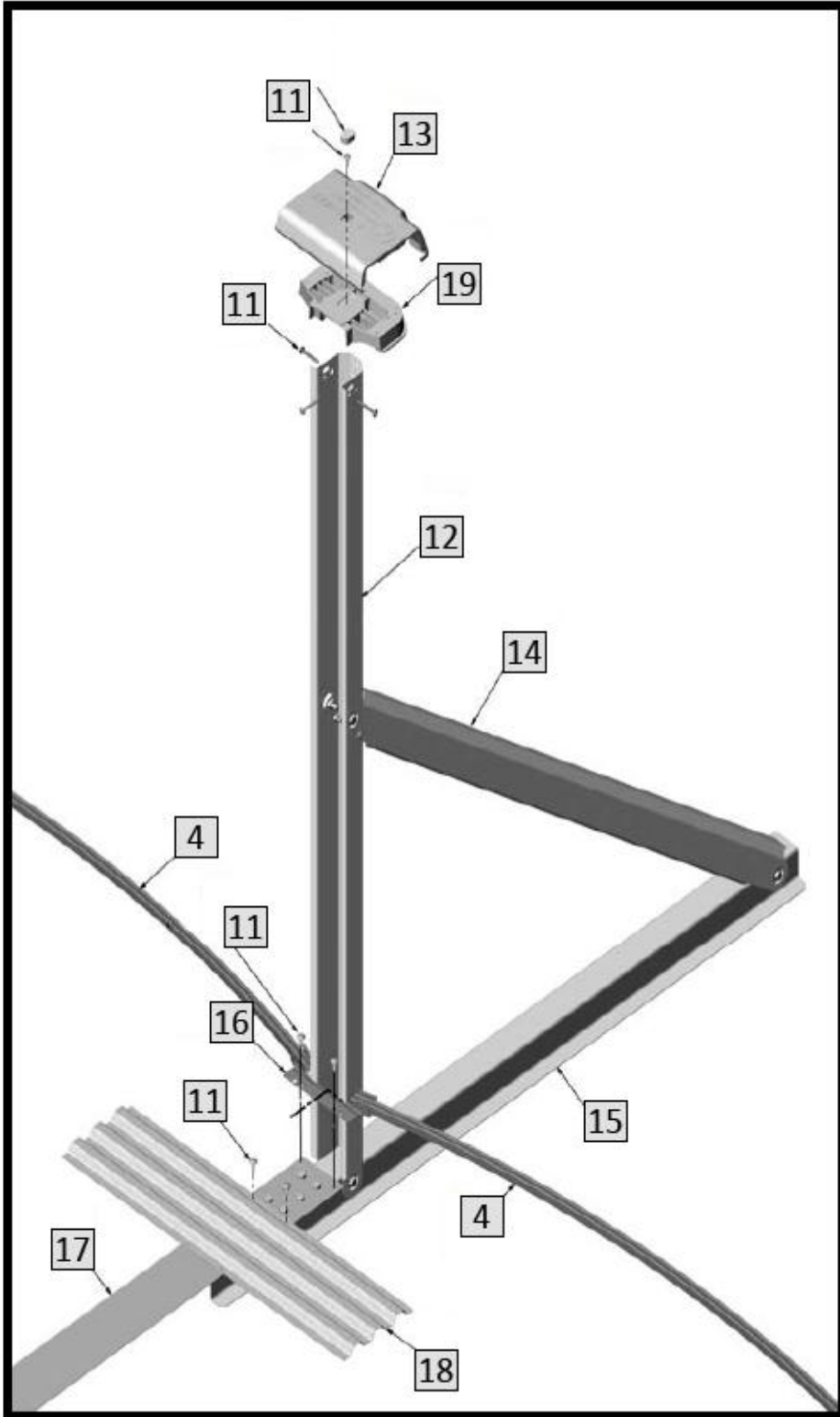
NB1650



| Key # | Part Description | Item # |
|-------|---------------------------------|---------|
| 1 | 8in Vertical | NBP1045 |
| 2 | Resin Upper Joint | NBP1061 |
| 3 | Seat Cover Hardware | NBP1032 |
| 3 | Wall Joint Hardware | NBP1021 |
| 4 | 5/8+Rail | NBP1055 |
| 5 | Plastic Edging | NL107 |
| 6 | 8in Top Seat | NBP1044 |
| 7 | 8in Seat Cover Brckt. | NBP1047 |
| 8 | 8in Seat Cover | NBP1046 |
| 9 | Wall | PC5113 |
| 10 | Resin Lower Joint | NBP1062 |
| 11 | Braced Oval Frame Bolt Hardware | NBP1000 |
| 12 | 8in Side Vertical | NBP1006 |
| 13 | 8in Side Seat Cover | NBP1048 |

Samoan 18'x33' Oval 52"

NB1650



| Key # | Part Description | Item # |
|-------|---------------------------------|---------|
| 4 | 5/8+Rail | NBP1055 |
| 11 | Braced Oval Frame Bolt Hardware | NBP1000 |
| 11 | Strap Bolt Hrdwr. | NBP1002 |
| 12 | 8in Side Vertical | NBP1006 |
| 13 | 8in Side Seat Cover | NBP1048 |
| 14 | Brace | NBP1209 |
| 15 | Horizontal Support | NBP1210 |
| 16 | Side Lower Rail Joint | NBP1070 |
| 17 | Middle Strap | NBP1015 |
| 17 | End Strap | NBP1012 |
| 18 | Pressure Plate | NBP1011 |
| 19 | Resin Side Upper Joint | NBP1004 |