

SSDW LF Braided Dishwasher Connector • Spec Sheet



*Product will have LF imprinted on the body for Lead Free

FEATURES & BENEFITS

- Lead Free*
- 3/8" OD Compression
- With 90° Brass Elbow
- cUPC Certified
- NSF Approved

SSDW-36LF - 36" Long

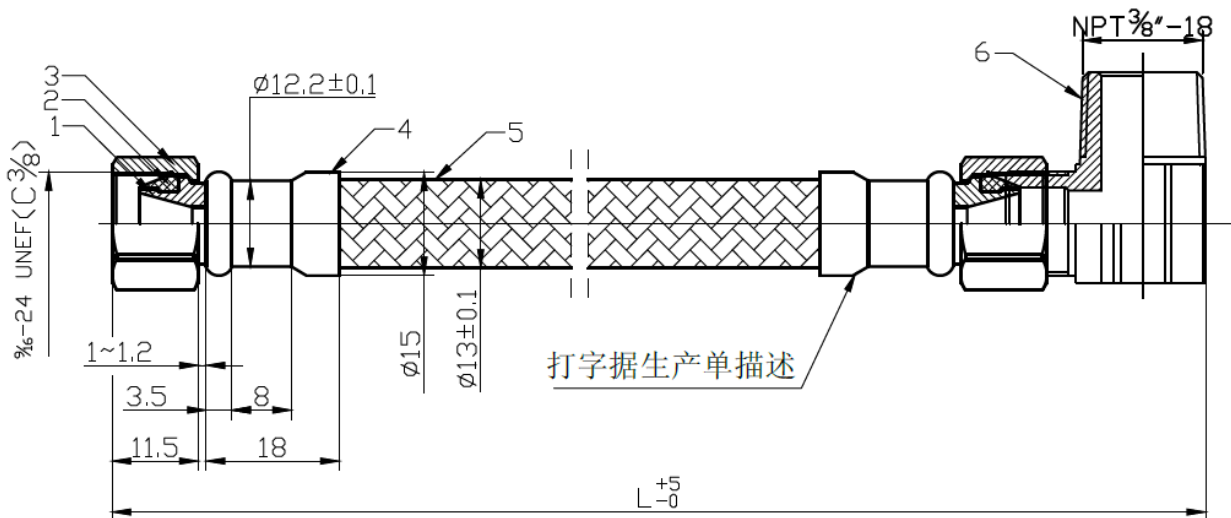
SSDW-48LF - 48" Long

SSDW-60LF - 60" Long

SSDW-72LF - 72" Long

MATERIAL SPECIFICATIONS

No.	Part	Material
1	Core	Brass C46500
2	Washer	EPDM
3	Nut	Brass HPb59-3
4	Ferrule	Stainless Steel 304
5	Hose	Stainless Steel 304
6	Core	Brass C46500



打字据生产单描述

*This product complies with 0.25% weighted average lead content on wetted surfaces in accordance with the Safe Drinking Water Act (SDWA) / Federal Public Law No. 111-380.



Global sourcing. National compliance. Local service.

CALIFORNIA 5595 Fresca Dr., La Palma CA 90623
TEXAS 1150 Silber Rd., Houston TX 77055
ILLINOIS 278 Windy Point Dr., Glendale Heights, IL 60139
GEORGIA 113 Industrial Blvd., Americus, Georgia 31709
NEW YORK PO Box 27, Rt.22, Brewster NY 10509
 WEB: www.matco-norca.com

• Phone: 866-532-8306 • Fax: 866-532-8307
 • Phone: 800-935-5456 • Fax: 713-680-2999
 • Phone: 844-412-5068 • Fax: 800-640-2252
 • Phone: 800-433-7526 • Fax: 800-533-5134
 • Phone: 800-431-2082 • Fax: 845-278-9056
 EMAIL: mail@matco-norca.com