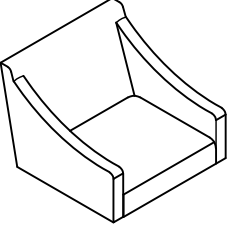
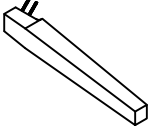
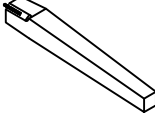
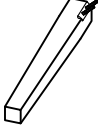




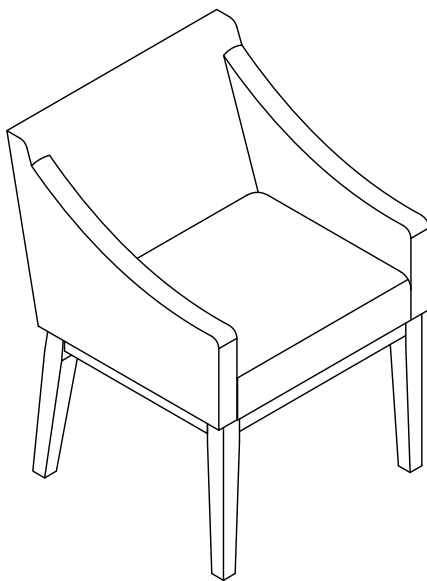


ASSEMBLY INSTRUCTIONS

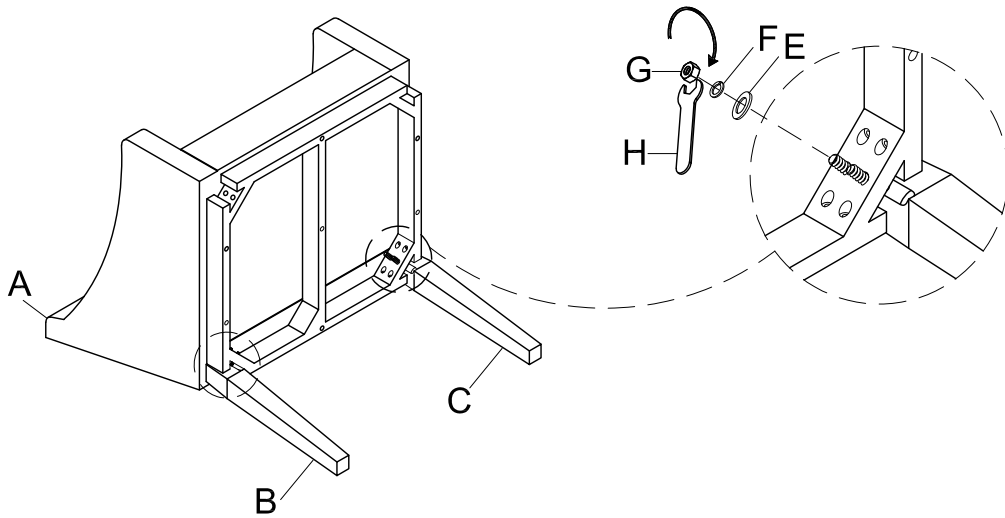
SLOPE ARM DINING CHAIR

A Chair Seat	B Left Back Leg	C Right Back Leg	D Front Leg
			
1 PC	1 PC	1 PC	2 PCS
E Flat Washer 5/16" x 3/4"	F Lock Washer 5/16"	G Lock Nut 5/16"	H Wrench M12
			
8 PCS	8 PCS	8 PCS	1 PC

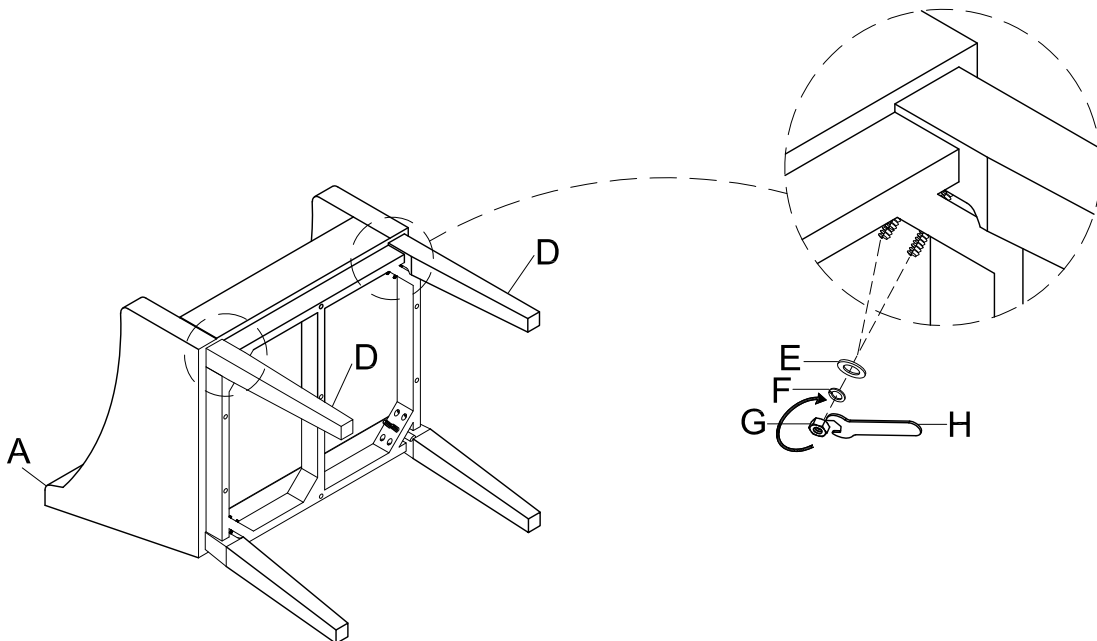


This page lists all the contents included in the box. Please take the time to identify the hardware as well as the individual components to this product. As you unpack and prepare for assembly, place the contents on a carpeted or padded area to protect them from damage.

-
- 1** Attach the Left & Right Back Leg (B & C) to the Chair Seat (A) using Flat Washer (E), Lock Washer (F) and Lock Nut (G) with the Wrench (H).



-
- 2** Attach the Front Leg (D) to the Chair Seat (A) using Flat Washer (E), Lock Washer (F) and Lock Nut (G) with the Wrench (H).



Cleaning & Care

Treat surfaces with care. Surfaces are resistant to scratches but are not scratch resistant. Clean surfaces with a dry or damp soft cloth. Do not use abrasive cleaners. Hardware may loosen over time. Periodically check that all connections are tight.