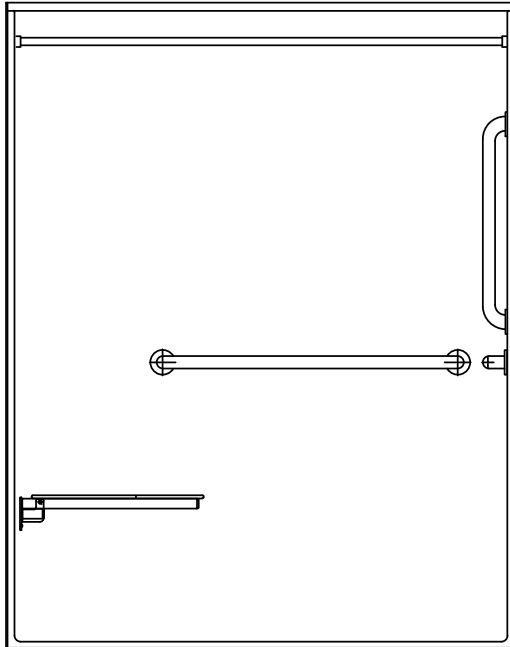


G 6233 BF-F – CODE COMPLIANT ROLL-IN SHOWER

inches

Interior: 60 x 31 x 77 ¾

Exterior: 62 x 32 ¾ x 78 ½



FEATURES

- Pre-leveled EasyBase™
- AcrylX™ applied acrylic surface
- ¾ change of level threshold
- Barrier free when properly installed
- Smooth wall
- Center drain
- Handed by seat
- Lifetime limited warranty (30 year commercial)

OPTIONS

- Grab bars
- Fold-up seat
- Hand-held shower assembly with slide bar
- Pressure balancing mixing valve
- Curtain rod and/or shower curtain

CODE COMPLIANCE

- ADA
- ICC/ANSI A117.1
- IAPMO Z124-2017
- HUD UM73a
- CAN/CSA-B651-04
- CSA-B45-11

**Code compliant when fully equipped and installed according to guidelines.

COLOR & TRIM OPTIONS

| Century Stone Solid | Century Stone Natural |
|---------------------|-----------------------|
| White | Almond |
| Bone | Ashley |
| Biscuit | Beach |
| | Coco |
| | Cotton Seed |
| | Dune |
| | Mink |
| | Quail |
| | Rabbit |
| | Starlight |
| | Violet |



AQUARIUS
BATHWARE™





AQUARIUS
BATHWARE™

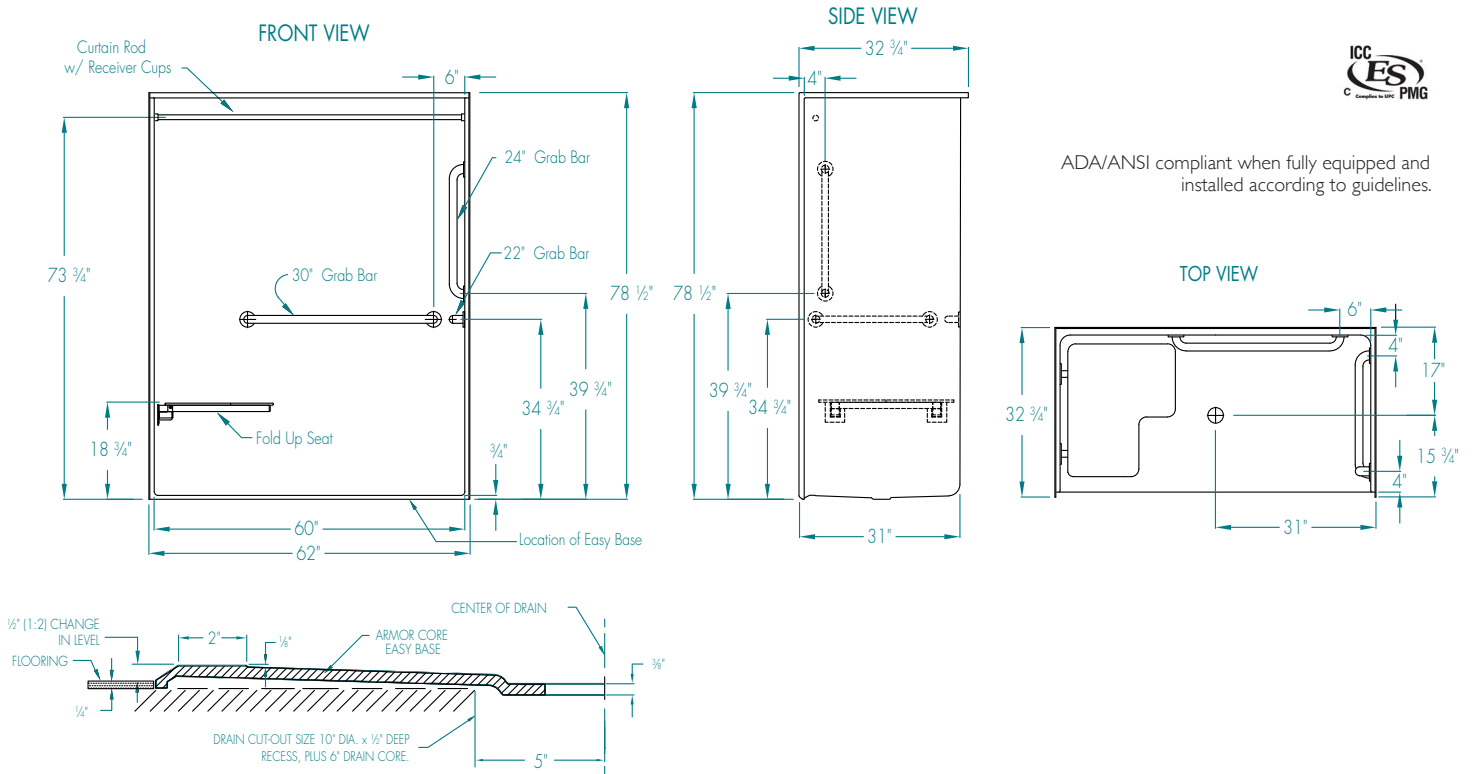
TECHNICAL SPECIFICATIONS

G 6233 BF-F

Interior: 60 x 31 x 77 ¾
Exterior: 62 x 32 ¾ x 78 ½



ADA/ANSI compliant when fully equipped and installed according to guidelines.



FEATURES

Dimensional Tolerance ± 3/8". Dimensions needed for site preparation should be measured from the unit. Manufacturer assumes no responsibility for preparatory work.

| Type and Model # | Material | Wall Finish | Pieces | Drain | Dam/Skirt Height | Net Wt. lbs | Pkg. Wt. lbs |
|---------------------|----------|-------------|--------|--------|------------------|-------------|--------------|
| Shower #G 6233 BF-F | AcrylX™ | Smooth wall | 1 | Center | ¾" COL threshold | 225 | N/A |

DIMENSIONS

| Specifications | inches |
|---------------------------------|-------------|
| Width: Overall / Net | 62 / 60 |
| Depth: Overall / Net | 32 ¾ / 31 |
| Height: Overall / Net | 78 ½ / 77 ¾ |
| Enclosure Opening: | 60 |
| Skirt Height: | ¾ COL |
| Drain Rough-In (from Back Wall) | 17 ⅞ |
| Drain Rough-In (from Side Wall) | 31 ¼ |

FRAMING DIMENSIONS inches

| Type | D Depth | W Width | H Height | A | B | C |
|--------|---------|---------|----------|---------|------|------|
| Alcove | 33 | 62 ½ | — | Box Out | 31 ¼ | 17 ⅞ |

