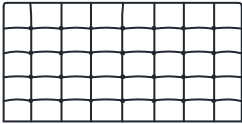
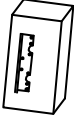
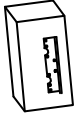






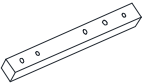
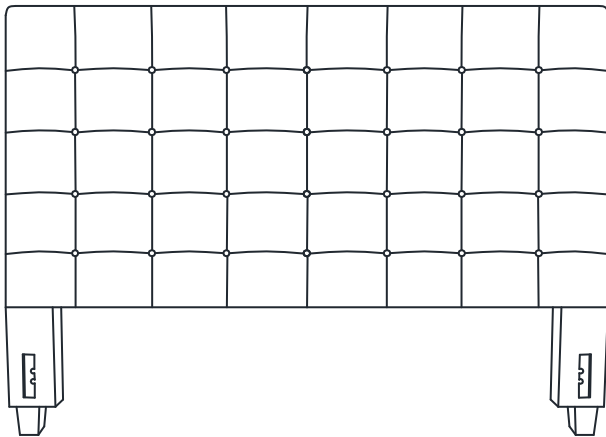


ASSEMBLY INSTRUCTION

FULL/QUEEN/EASTERN KING TUFTED HEADBOARD

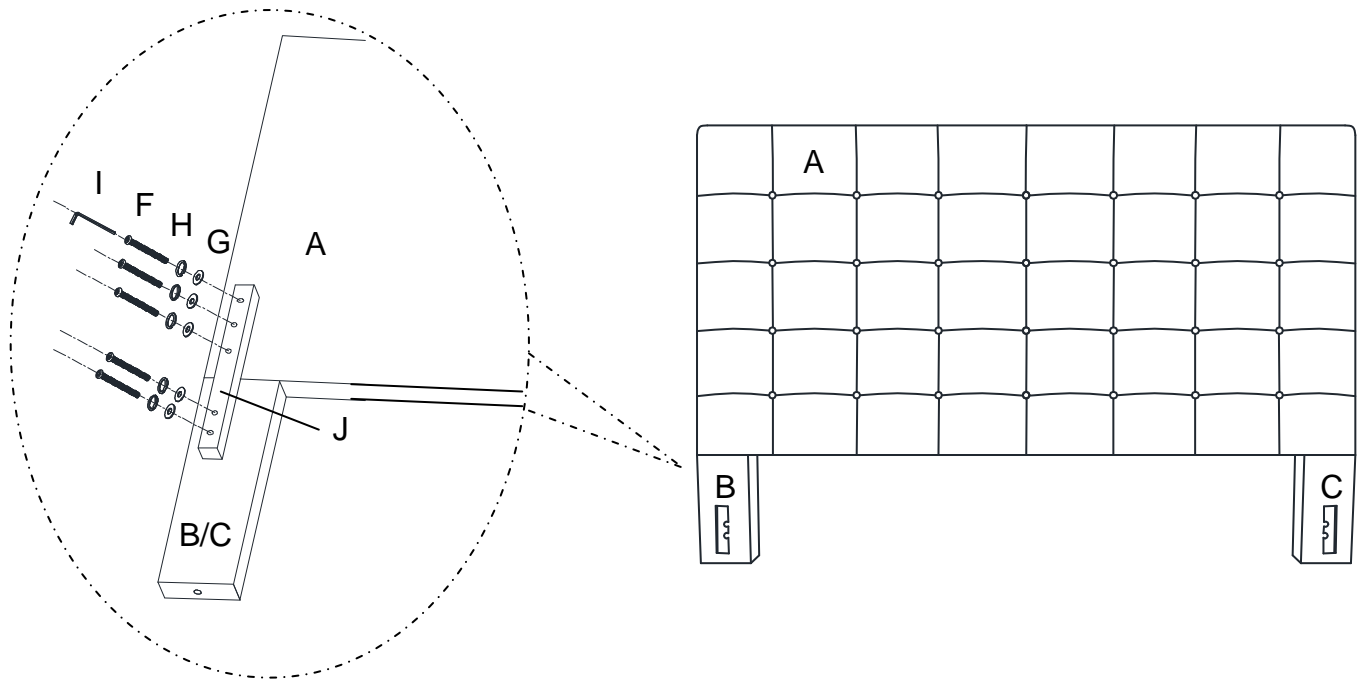
A Headboard	B Left Wooden Frame	C Right Wooden Frame	D Wooden Leg	E Bolt 1/4" x 78mm
				
1pc	1pc	1pc	2pcs	2pcs
F Bolt 1/4" x 65mm	G Flat Washer	H Lock Washer	I Allen Wrench	J Slate
				
10pcs	12pcs	12pcs	1pc	2pcs



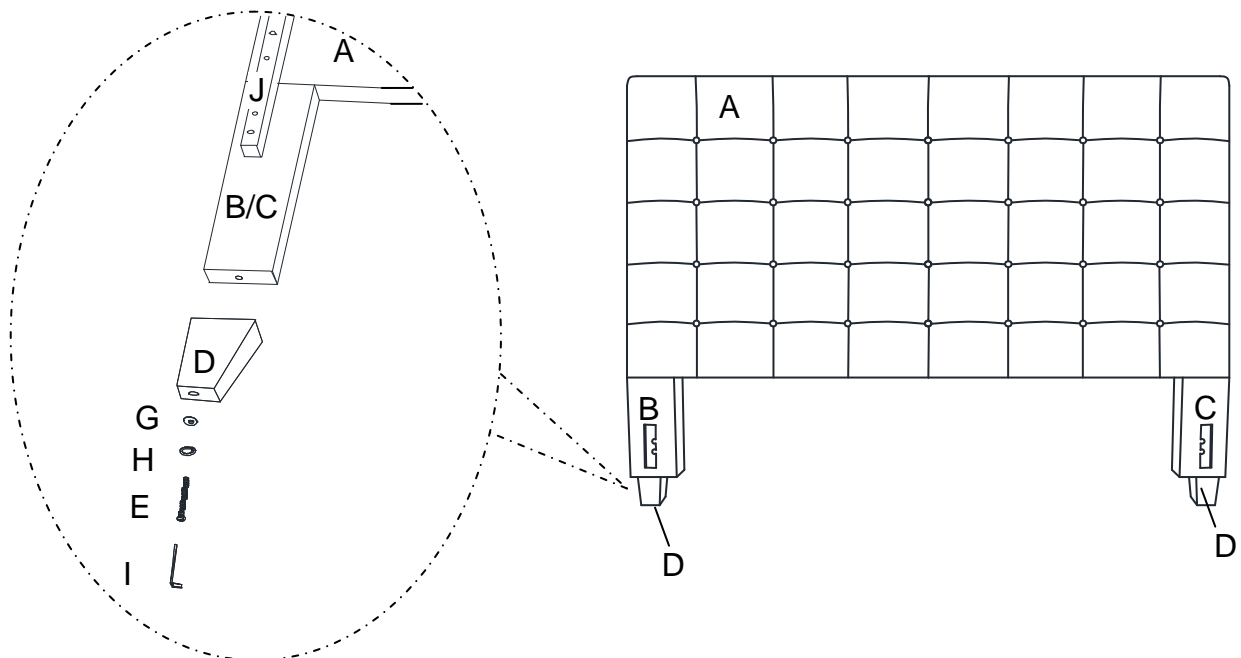
This page lists all the contents included in the box. Please take the time to identify the hardware as well as the individual components to this product. As you unpack and prepare for assembly, place the contents on a carpeted or padded area to protect them from damage.

1

Attached Left Wooden Frame (B) and Right Wooden Frame (C) to the Headboard (A) use Bolt (F), Lock Washer (H) and Flat Washer (G) on holes of Slates (J). Turn the Allen Wrench (I) in Bolt (F).

**2**

Attached Wooden Leg (D) to the Wooden Frame (B) (C) use Bolt (E), Lock Washer (H) and Flat Washer (G) on both of holes. Turn the Allen Wrench (I) in Bolt (E).

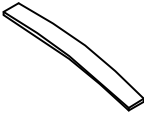


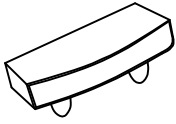
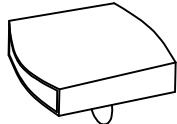












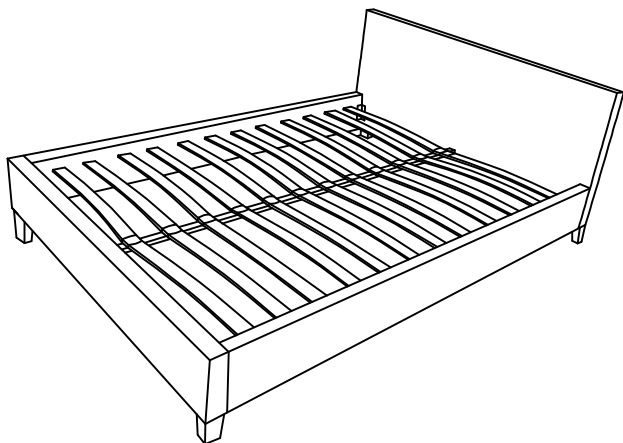
Cleaning & Care

Treat surface with care. Surface is resistant to scratches but is not scratch resistant. Clean surfaces with a dry or damp soft cloth. Do not use abrasive cleaners. Hardware may loosen over time. Periodically check that all connections are tight.

ASSEMBLY INSTRUCTION

FULL & QUEEN BED - EURO SLATS PARTS

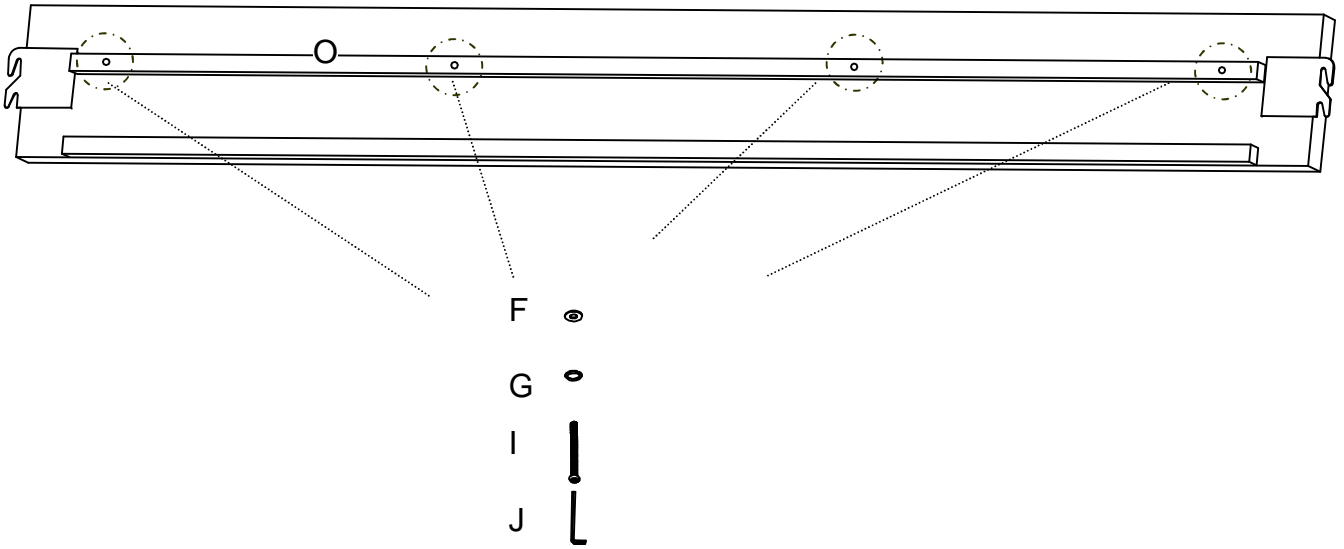
A Wooden Slat	B Support Leg	C Iron Pipe	D Single-Sided Cover	E Double-Sided Cover
 26pcs	 4pcs	 1pc	 26pcs	 13pcs
F Flat Washer	G Lock Washer	H Bolt 1/4" x 30mm	I Bolt 1/4" x 50mm	J Allen Wrench
 20pc	 17pcs	 2pcs	 12pcs	 1pc
K Iron Pipe	L Bolt 1/4" x 65mm	M Nut	N Wrench	O Iron Pipe
 1pc	 3pcs	 3pcs	 1pc	 2pcs



This page lists all the contents included in the box. Please take the time to identify the hardware as well as the individual components to this product. As you unpack and prepare for assembly, place the contents on a carpeted or padded area to protect them from damage

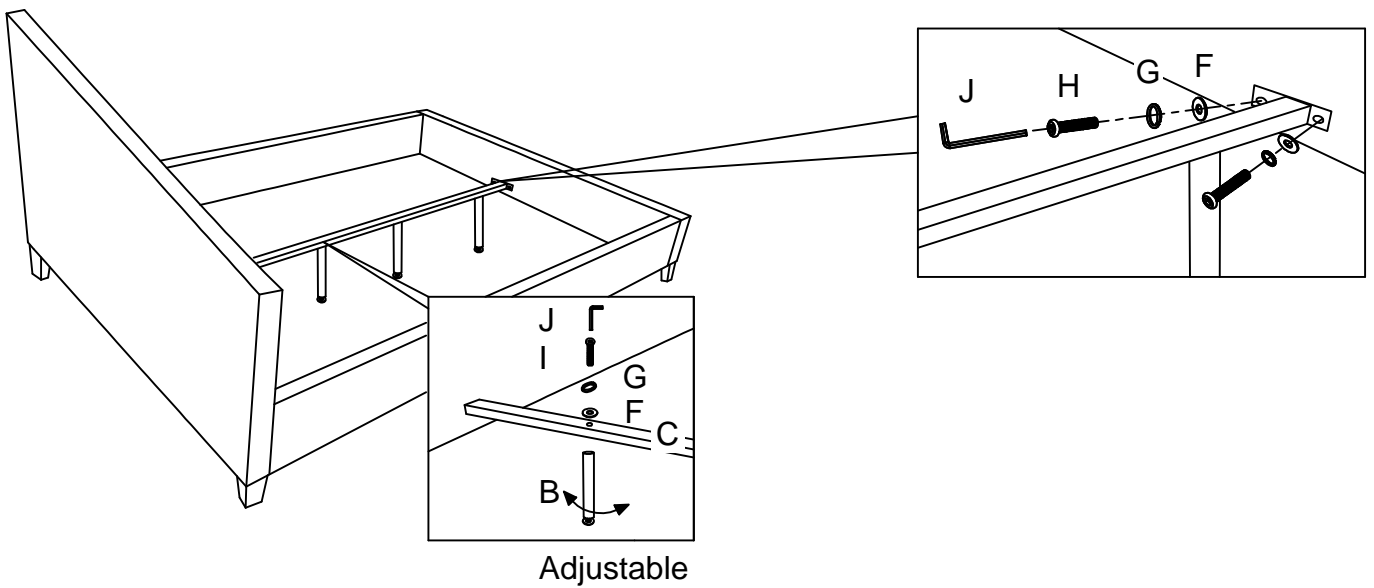
1

Attached Iron Pipe(O) to the both Side Rails use Bolt(I), Flat Washer(F), Lock Washer(G) by Allen Wrench(J).



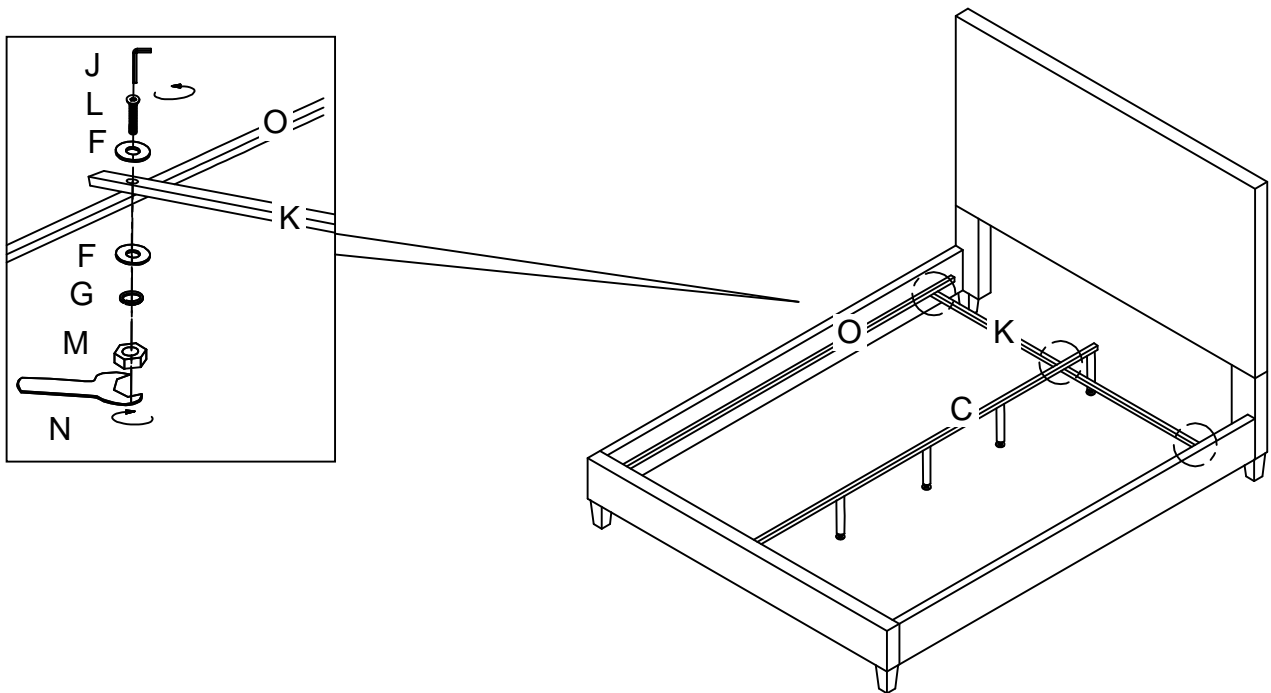
2

Attached Support Leg(B) to the Iron Pipe(C) use Bolt(I), Flat Washer(F), Lock Washer(G) by Allen Wrench(J). Then assembly Iron Pipe(C) to Footboard use Bolt(H), Flat Washer(F), Lock Washer(G) by Allen Wrench(J).

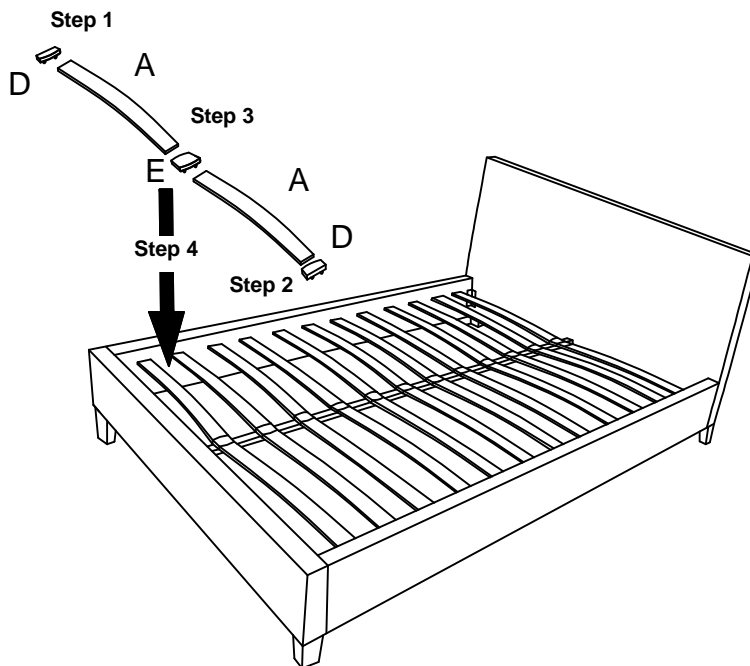


3

Assembly Iron Pipe(K) to Iron Pipe (O) and Iron Pipe(C) use Bolt(L), Flat Washer(F), Lock Washer (G), Nut(M) by Allen Wrench(J) & Wrench(N).

**4**

Attach Wooden Slat(A) with Single-Sided Cover(D) at both end, then attach the Wooden Slat(A) into Double-Sided Cover(E) and press downward Double-Sided Cover(E) lock in the hole on the center metal rail.



Cleaning & Care

Treat surface with care. Surface is resistant to scratches but is not scratch resistant. Clean surfaces with a dry or damp soft cloth. Do not use abrasive cleaners. Hardware may loosen over time. Periodically check that all connections are tight