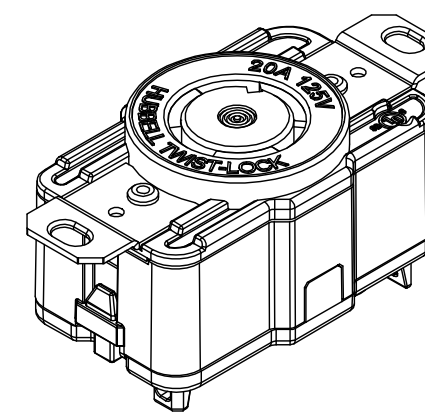
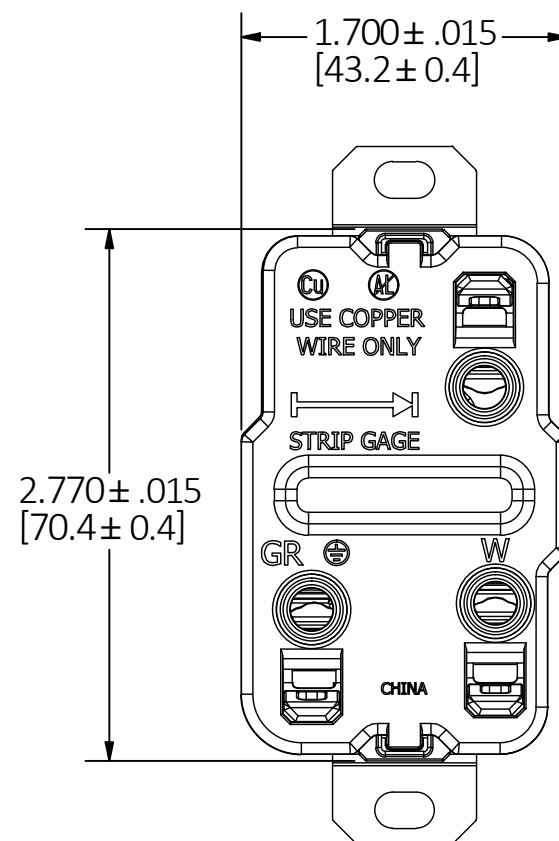
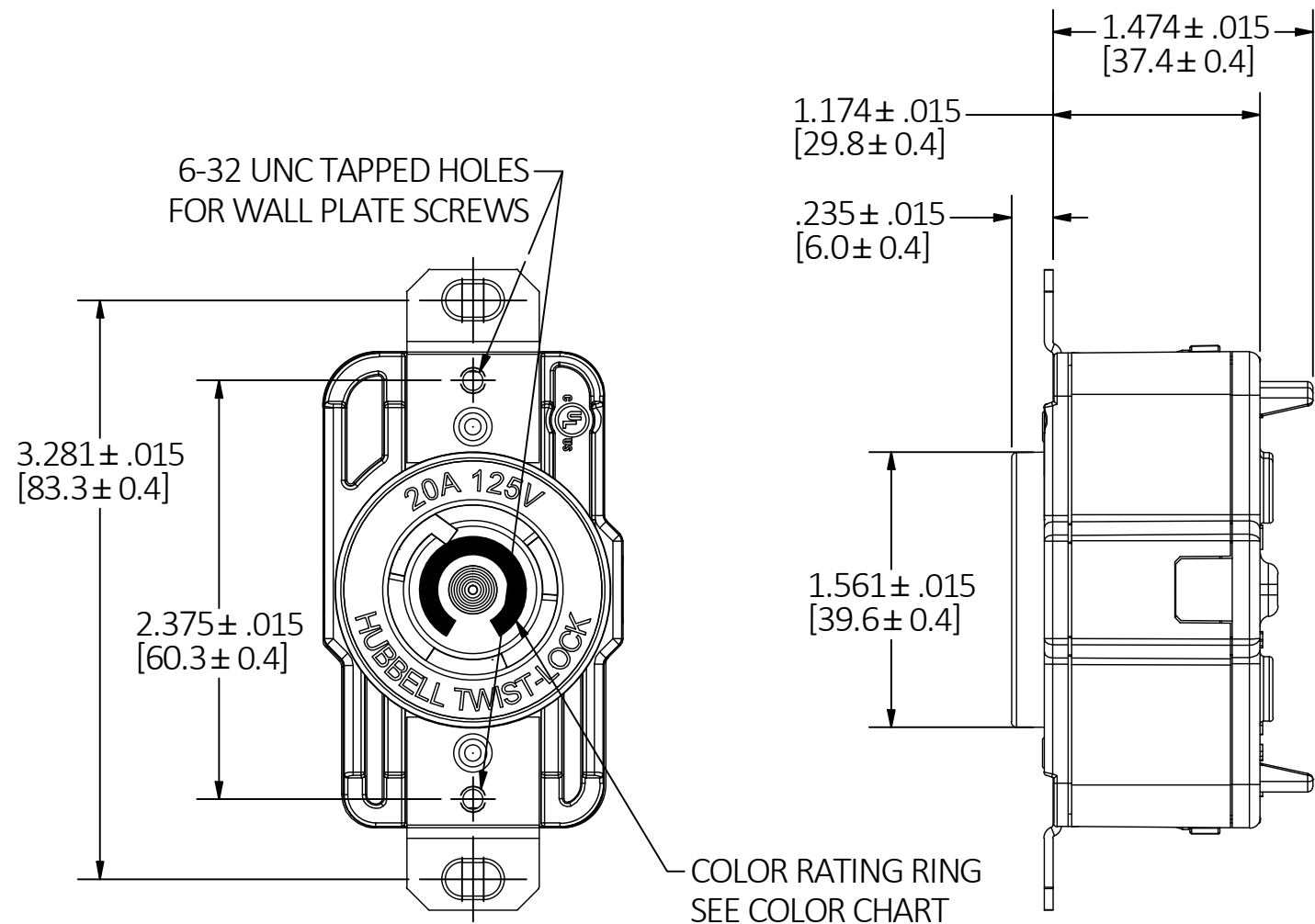


M-13891

5



LIST OF PARTS

DESCRIPTION	MATERIAL	FINISH
COVER	THERMOPLASTIC	
MID HOUSING	THERMOPLASTIC	
BASE	THERMOPLASTIC	
CONTACTS	BRASS	
SPRING	STEEL	
PLUNGER	THERMOPLASTIC	
GR. SHUNT	BRASS	
MOUNTING PLATE	BRASS	
RIVET	BRASS	

REV	DESCRIPTION	APP	DATE
5	CONDUCTOR RANGE UPDATED IN NOTES PER DCN 220315017977 AM	RGP	03/14/22
4	CONDUCTOR RANGE UPDATED IN NOTES PER DCN 211202014898 PS	DP	12/08/21

CAT NO.	NEMA NO.	RATING	POLE/WIRE	CONFIGURATION	RATING RING COLOR
HBL2310ST	L5-20	20A 125V	2P/3W GROUNDING		YELLOW
HBL2320ST	L6-20	20A 250V	2P/3W GROUNDING		BLUE

NOTES:

- DIMENSIONS ARE IN INCHES [mm].
- WIRING TERMINAL ACCOMMODATION:
 - SOLID WIRE: 14 AWG - 10 AWG COPPER WIRE ONLY
 - STRANDED WIRE (INCLUDING COMPACT STRANDED): 14 AWG - 8 AWG COPPER WIRE ONLY
- CONDUCTOR STRIP LENGTH: 0.600" (15.24mm)



WIRING DEVICE-KELLEMS
HUBBELL INCORPORATED
SHELTON, CT

TOLERANCES UNLESS OTHERWISE SPECIFIED
.XX = ± .01
.XXX = ± .005
ANGLE TOL. ±2°

DR. BY EB
CHK. BY TLS

SCALE 1:1
DATE 10/26/18