

WARNING:

Do not place magnet into cup until cup is fully mounted.

CAUTION

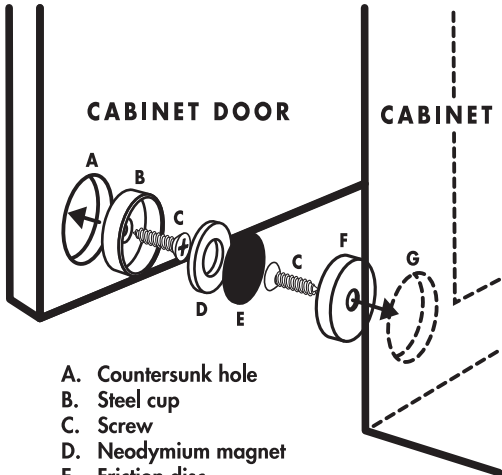
Neodymium magnet is powerful and very brittle. Slide magnet into position carefully. Do not hit magnet with hammer.



Eye protection required.

INSTRUCTIONS

Mount steel cup and strike plate securely. Slide magnet into steel cup. Adhere friction disc to face of magnet (optional).



- A. Countersunk hole
- B. Steel cup
- C. Screw
- D. Neodymium magnet
- E. Friction disc
- F. Strike plate
- G. Countersunk hole

MASTER MAGNETICS, INC.

MAGNET
SOURCE

magnetsource.com