

KALLISTA®

Foundations by KALLISTA Air-Induction Large Contemporary Rain Showerhead P21513-00

Features

- A selection of products within this collection is in stock and ready to ship. Please visit kallista.com/resources#ReadyToShip for the complete list of Ready-to-Ship products and finishes
- High-quality solid-brass construction for durability and reliability
- Required shower arm sold separately
- Maximum flow rate of 2.5 gpm (9.5 lpm)
- Single-function spray
- Includes escutcheon
- Diameter is 12-3/8" (314 mm)

Required Products/Accessories

P21520-00 Rain Showerhead Arm

or

P21521-00 Rain Showerhead Arm

or

P21522-00 12" ceiling-mount rain showerhead arm

or

P38700-00 19" Wall-Mount Rain Showerhead Arm

Recommended Products/Accessories

P24917-00 Wall-Mount Bath Spout

P25656-00 Transitional Handshower with Hose

P24922-ULB Thermostatic Shower Trim, Lever Handle



Codes/Standards

ASME A112.18.1/CSA B125.1

DOE - Energy Policy Act 1992

NOM Standards

NOM 008-CONAGUA

KALLISTA® Five-Year Limited Warranty

See website for detailed warranty information.

Available Colors/Finishes

Color tiles intended for reference only.

| Color | Code | Description |
|---|------|-----------------------|
|  | CP | Polished Chrome |
|  | BL | Matte Black |
|  | ULB | Unlacquered Brass |
|  | AF | French Gold |
|  | BAF | Brushed French Gold |
|  | BGP | Brushed Graphite |
|  | BN | Brushed Nickel |
|  | BV | Brushed Bronze |
|  | PGP | Polished Graphite |
|  | SN | Polished Nickel |
|  | 2MB | Brushed Moderne Brass |

1-888-4-KALLISTA (1-888-452-5547)

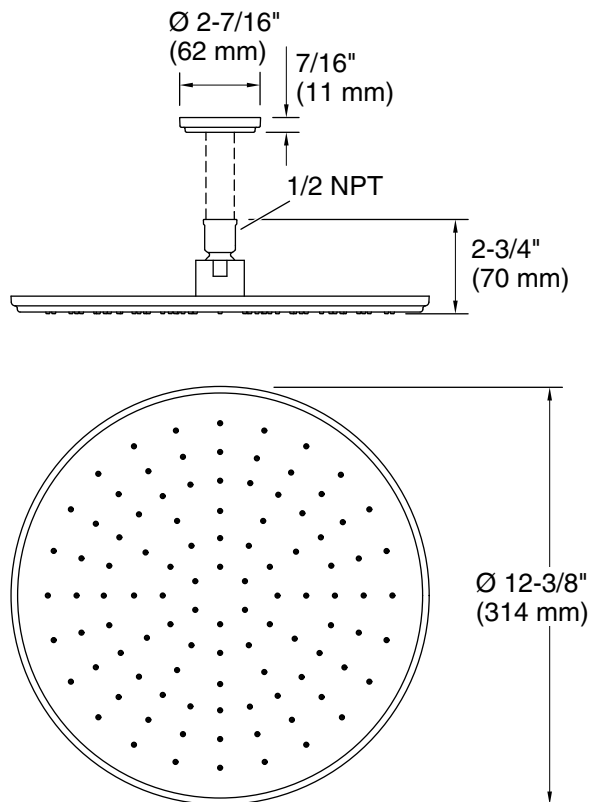
Kallista reserves the right to make revisions without notice to product specifications.

For the most current Specification Sheet, go to www.kallista.com.

3-16-2026 05:00 - US/CA

KALLISTA

Foundations by KALLISTA Air-Induction Large Contemporary Rain Showerhead P21513-00



Technical Information

All product dimensions are nominal.

Shower/Rainhead rated max flow: 2.5 gal/min (9.5 l/min)

Notes

For use with automatic compensating valves rated at 2.5 gal/min (9.5 l/min) or less.