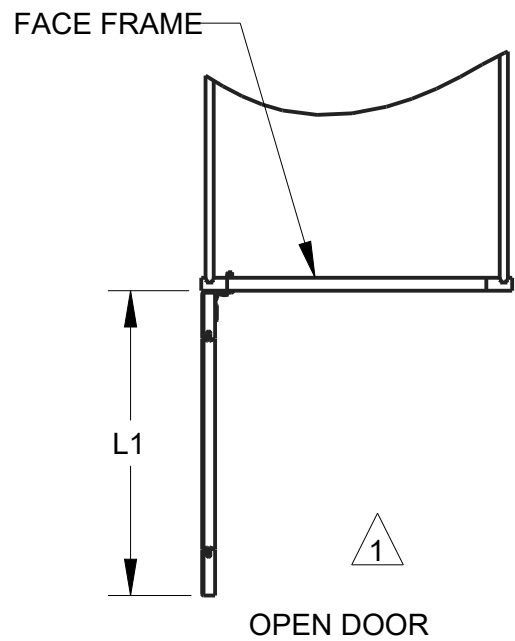
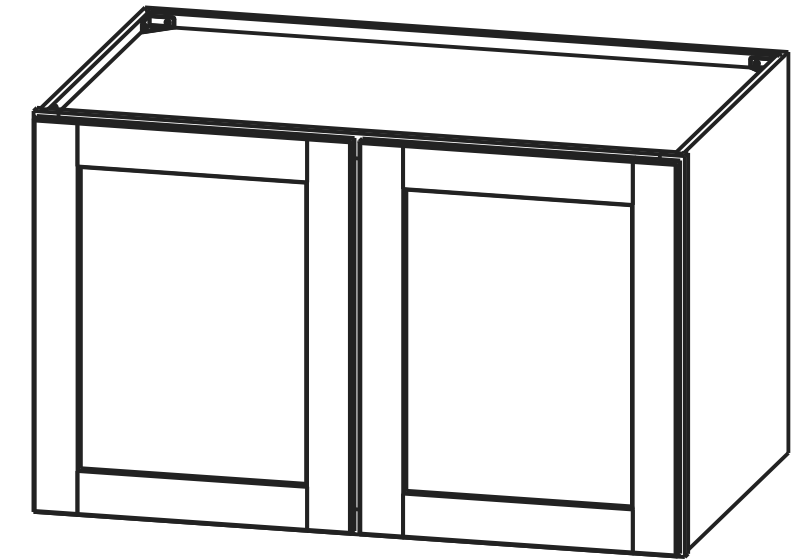
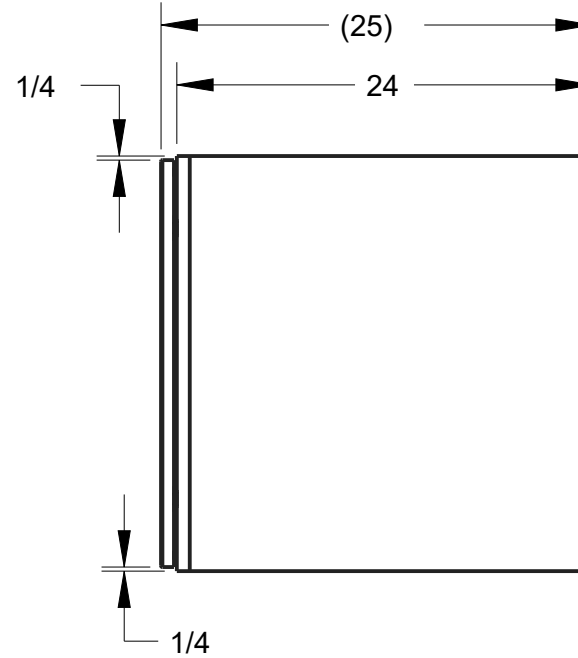
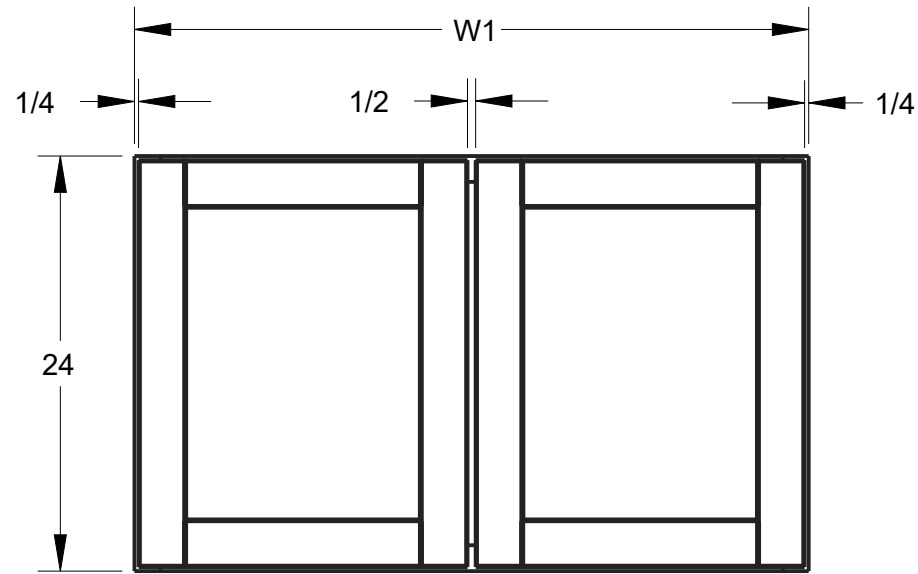


NOTES:

1 OPEN DOOR VIEW INCLUDES HINGE SPACE OFFSET.

PRODUCT	W1	L1	DOOR SIZE
			ROUNDED TO THE NEAREST 1/32
W362424	36"	17 13/16"	17 11/16" X 23 9/16"
W392424	39"	19 3/16"	19 1/16" X 23 9/16"



PRODUCT SHOWN W362424

DOCUMENT STATUS Released

THIRD ANGLE PROJECTION



MATERIAL

FINISH

N/A

N/A



DESCRIPTION

W362424, W392424 FULL OVERLAY

DRAWN BY
ANDY BROWN

DATE
16JUN2020

DESIGNED BY
NORTHPOINT

DATE

APPROVED BY
GREG DAVIS

DATE
29JUL2020

DRAWING NUMBER
W362424-W392424_FULL_OVERLAY

REV
B

SIZE
A3

SCALE
0.100

SHEET
1 / 1

HARDWARE RESOURCES RESERVES THE RIGHT TO CHANGE SPECIFICATIONS WITHOUT NOTICE.
IN CASE OF A DISCREPANCY, ACTUAL PART GEOMETRY SUPERSEDES THIS DOCUMENT.

THE INFORMATION CONTAINED WITHIN THIS DRAWING IS THE SOLE PROPERTY OF HARDWARE RESOURCES INC. ANY REPRODUCTION IN PART OR WHOLE WITHOUT WRITTEN PERMISSION OF HARDWARE RESOURCES INC. IS PROHIBITED.