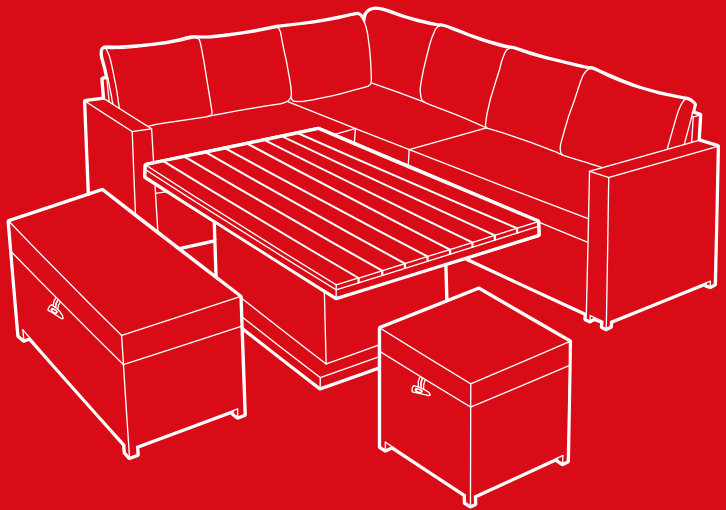




bestchoiceproducts



INSTRUCTION MANUAL

6-Piece Wicker Sectional Set



bestchoiceproducts

As shoppers, we're always trying to find the perfect balance between quality & value. At BCP, we believe we've achieved that. Our diverse catalog of everyday essentials is tailored especially to our customers & guaranteed to hit that sweet spot of high quality & low price.

— Always. —

! NOTICE

Please retain these instructions for future reference.

- Please do not exceed the weight limitations of this item.
- Do not stand on or use any part of this item as a step ladder.
- Firmly secure all bolts, screws and knobs before use.
- Reconfirm that all bolts, screws, and knobs are secure every 90 days.
- Fasten screws loosely during initial assembly. Do not firmly tighten the screws until the item is completely assembled.
- Do not use or store this item in the proximity of open flame or flammable/combustible chemicals.
- Be aware that some parts are heavy and have sharp edges.
- If any parts are missing, broken, damaged, or worn, stop using this product until repairs are made and/or factory replacement parts are installed.
- Do not use this item in a way inconsistent with the manufacturer's instructions as this could void the product warranty.



660 LBS
SOFA
CAPACITY



110 LBS
TABLE
CAPACITY



520 LBS
BENCH
CAPACITY



260 LBS
OTTOMAN
CAPACITY



2 PERSON
ASSEMBLY



UP TO 60 MIN.
ASSEMBLY

TOOLS REQUIRED



ALLEN WRENCH
(PROVIDED)



WRENCH
(PROVIDED)

HARDWARE

1

M6 X 18MM
SCREW



3 PCS

2

M6 X 30MM
SCREW



20 PCS

3

M6 X 35MM
SCREW



23 PCS

4

M6 X 55MM
SCREW



23 PCS

5

M6 WASHER



92 PCS

6

M6 NUT



23 PCS

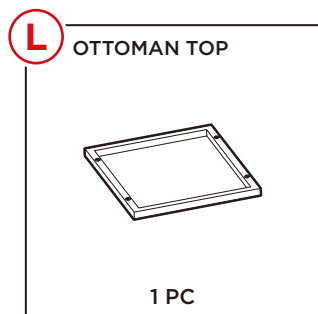
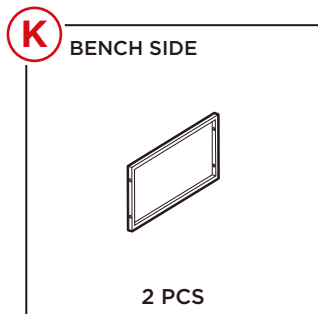
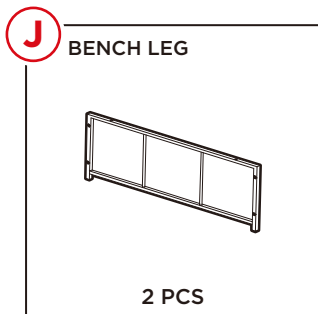
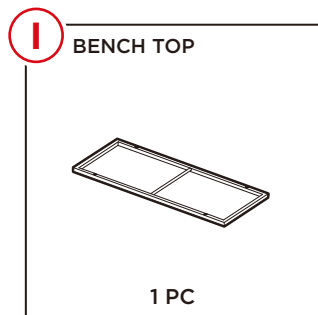
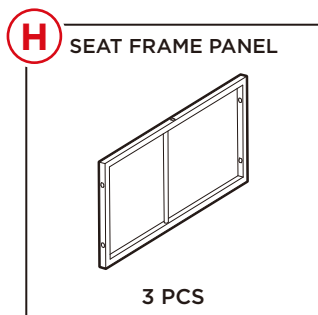
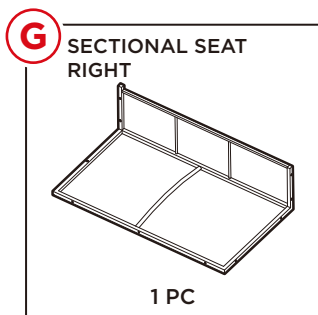
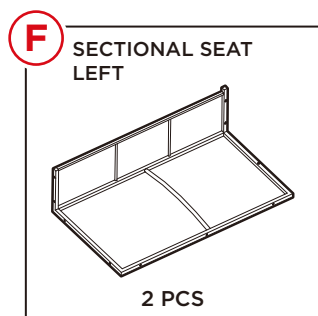
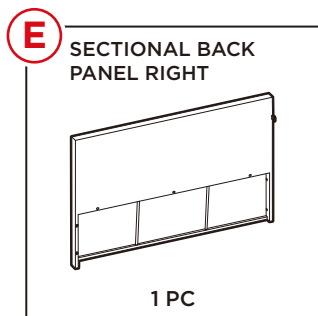
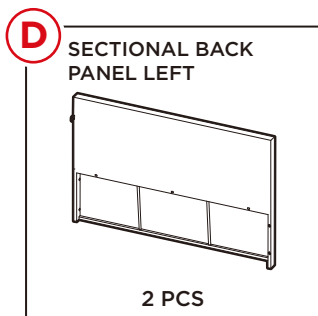
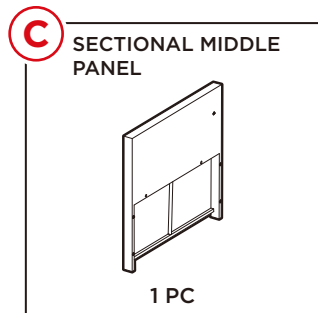
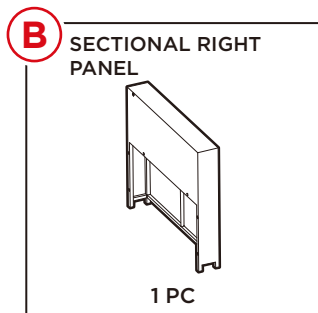
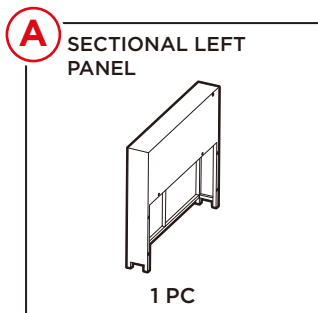
7

SECTIONAL
CLIP

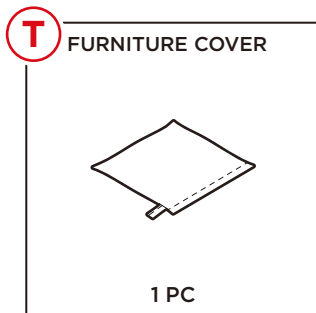
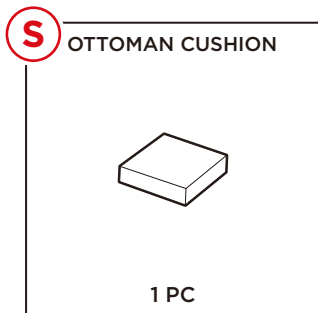
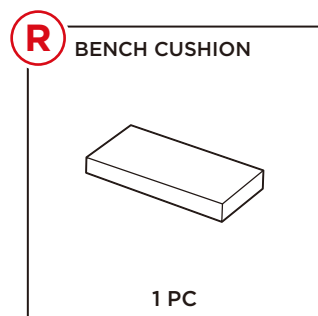
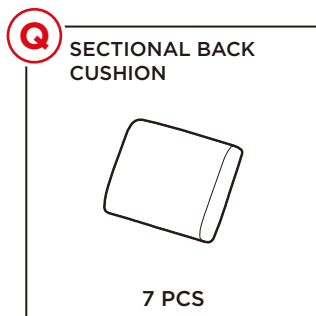
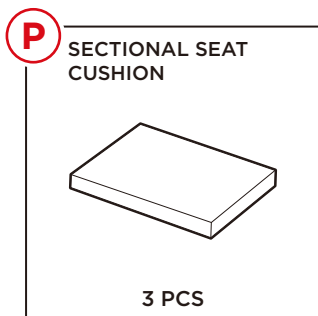
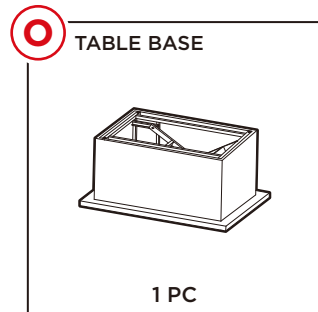
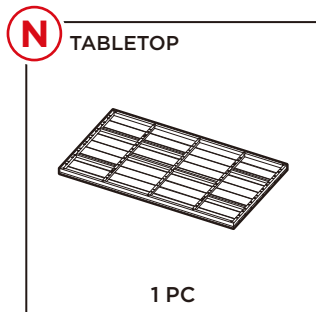
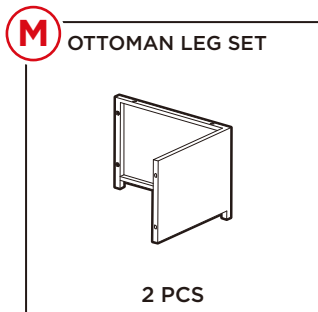


4 PCS

PARTS



PARTS

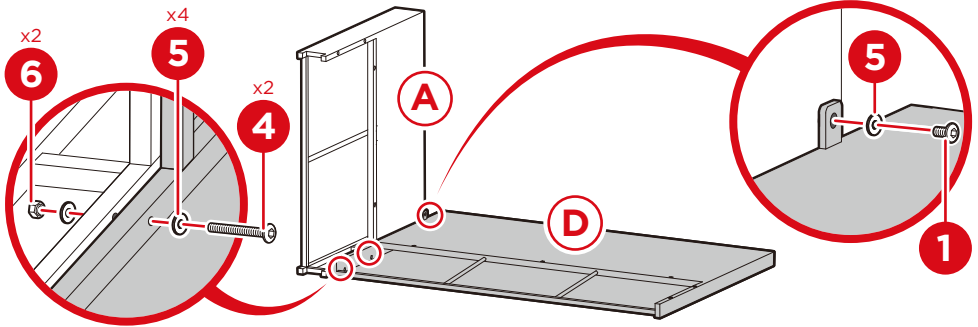


PRODUCT ASSEMBLY - LEFT SECTIONAL

1

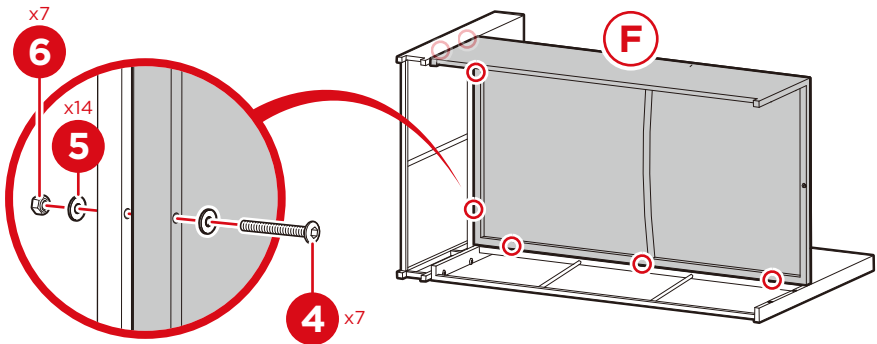
Attach one part D back left panel to the part A left panel with two part 4 screws and four part 5 washers, then secure with two part 6 end nuts.

Then secure one part 1 screw and one part 5 washer as indicated below.



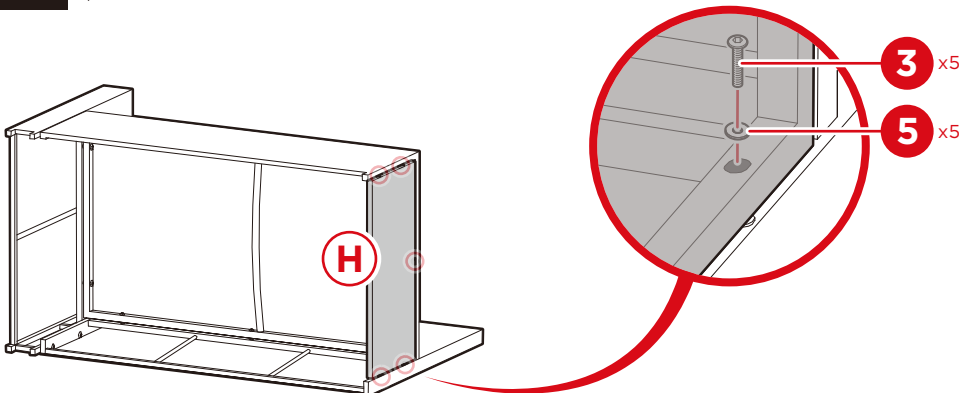
2

Attach one part F left seat to the sectional assembly with seven part 4 screws and fourteen part 5 washers, then secure with seven part 6 end nuts.



3

Attach one part H seat frame panel to the sectional assembly with five part 3 screws and five part 5 washers.

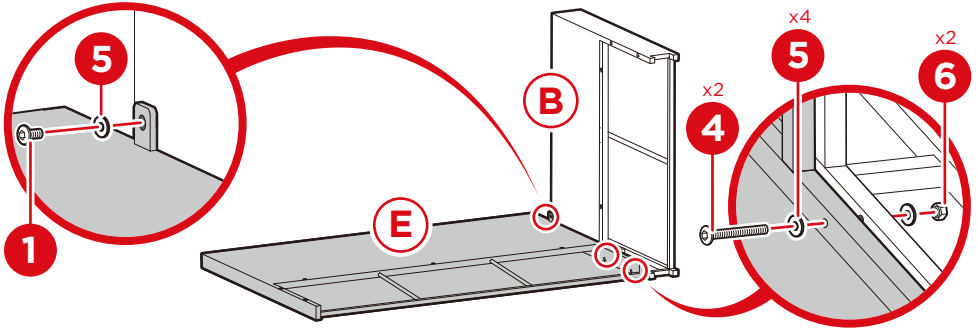


PRODUCT ASSEMBLY - RIGHT SECTIONAL

1

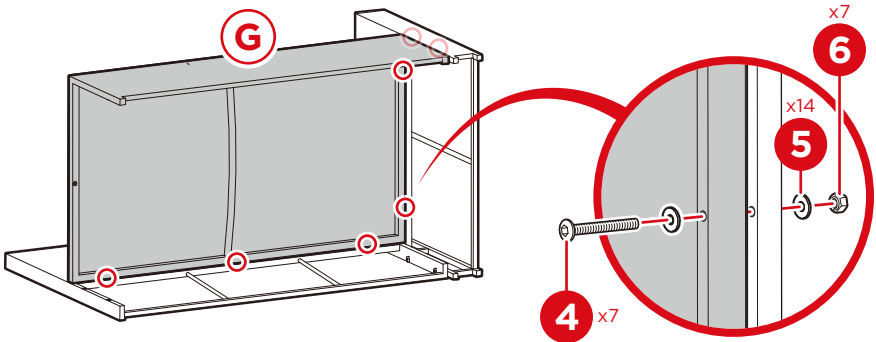
Attach one part E back right panel to the part B right panel with two part 4 screws and four part 5 washers, then secure with two part 6 end nuts.

Then secure one part 1 screw and one part 5 washer.



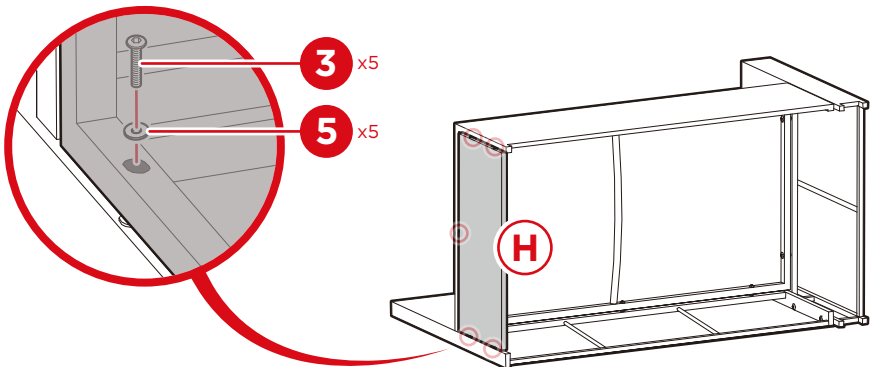
2

Attach one part G right seat to the sectional assembly with seven part 4 screws and fourteen part 5 washers, then secure with seven part 6 end nuts.



3

Attach one part H seat frame panel to the sectional assembly with five part 3 screws and five part 5 washers.

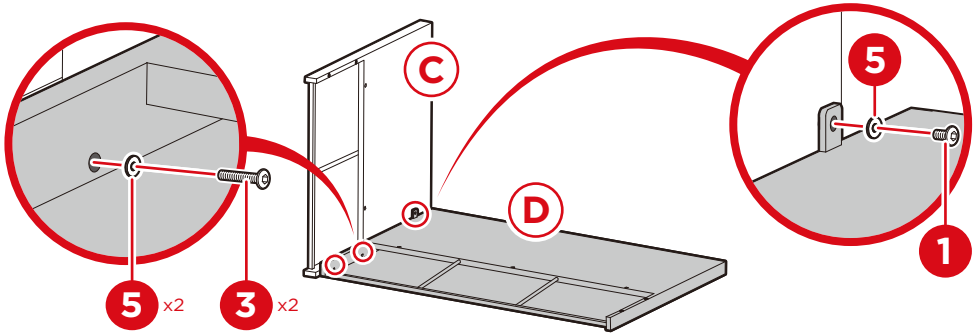


PRODUCT ASSEMBLY - MIDDLE SECTIONAL

1

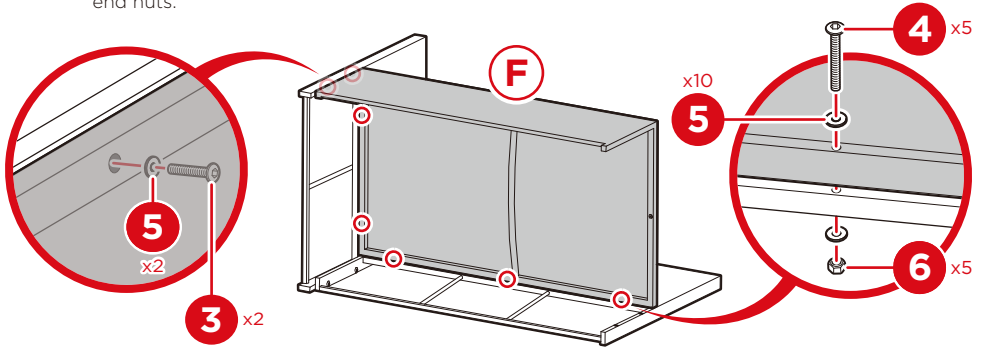
Attach one part D back left panel to the part C middle panel with two part 3 screws and two part 5 washers.

Then secure one part 1 screw and one part 5 washer as indicated below.



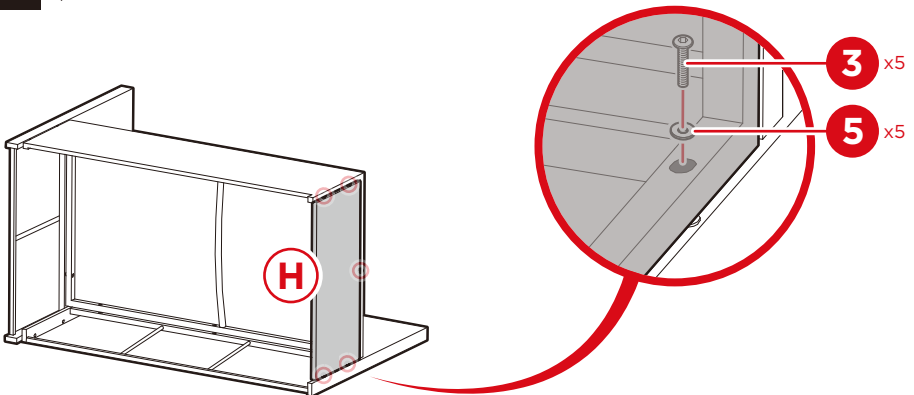
2

Attach one part F left seat to the sectional assembly with two part 3 screws and two part 5 washers. Then insert five part 4 screws with ten part 5 washers and secure with five part 6 end nuts.



3

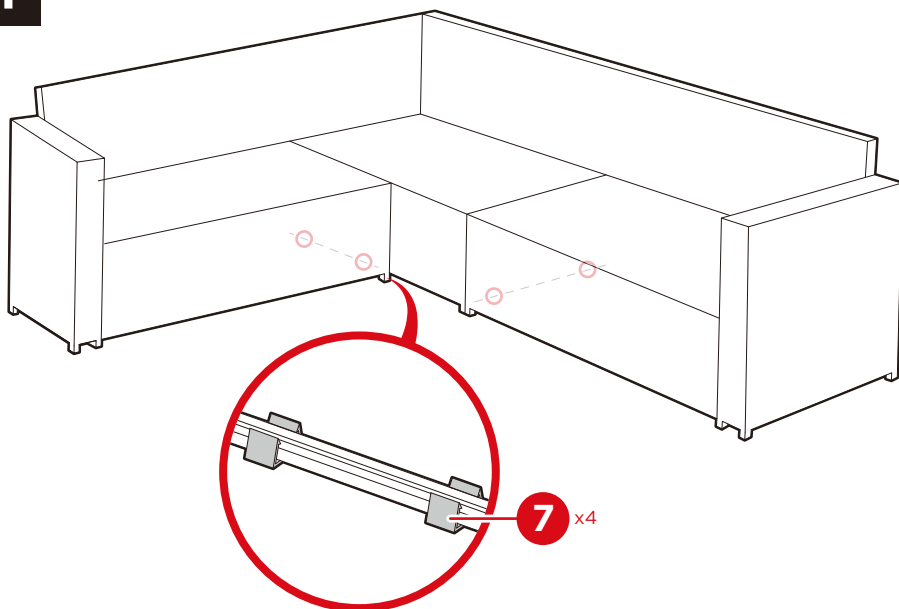
Attach one part H seat frame panel to the sectional assembly with five part 3 screws and five part 5 washers.



PRODUCT ASSEMBLY - SOFA

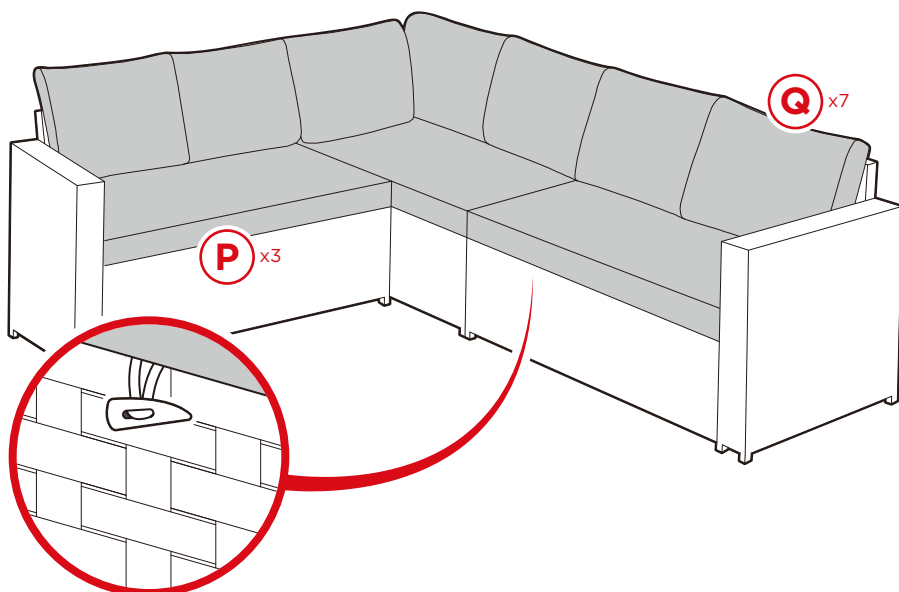
1

Interlock the three sectional assemblies with four part 7 clips.



2

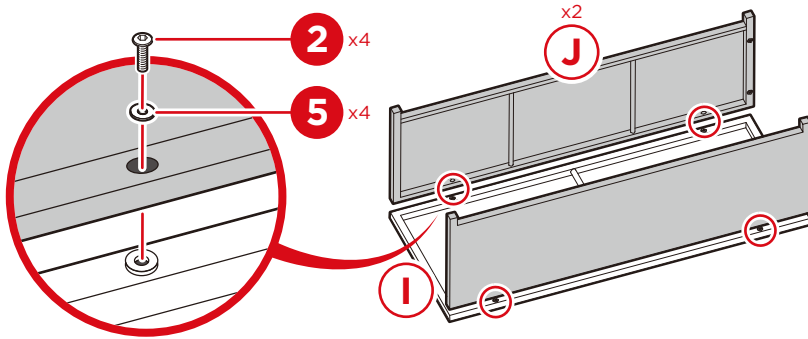
Place three part B seat cushions on the assembly and attach them by tying off the built in strings. Place seven part Q back cushions on the assembly.



PRODUCT ASSEMBLY - BENCH

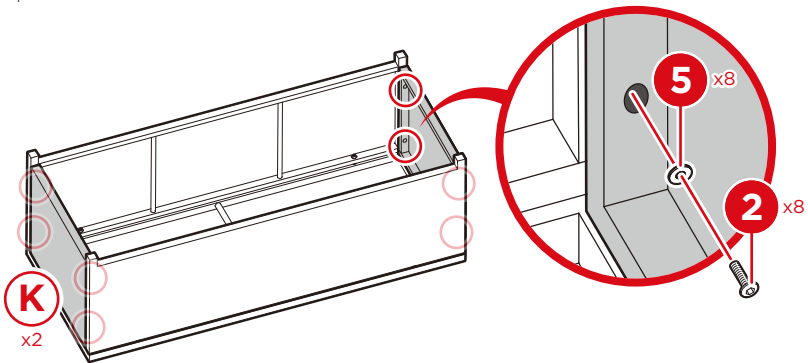
1

Attach two part J bench legs to the part I bench top with four part 2 screws and four part 5 washers.



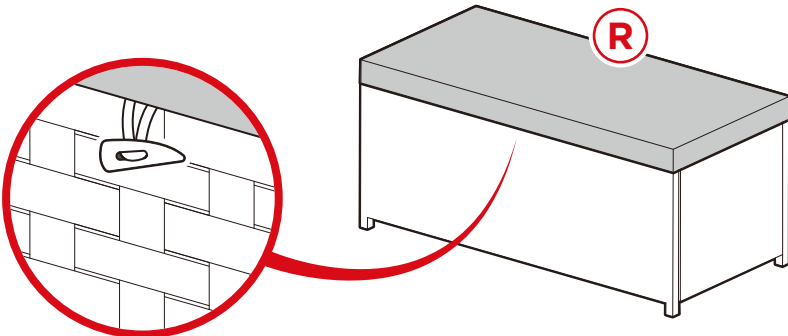
2

Attach two part K bench sides to the part J legs with eight part 2 screws and eight part 5 washers.



3

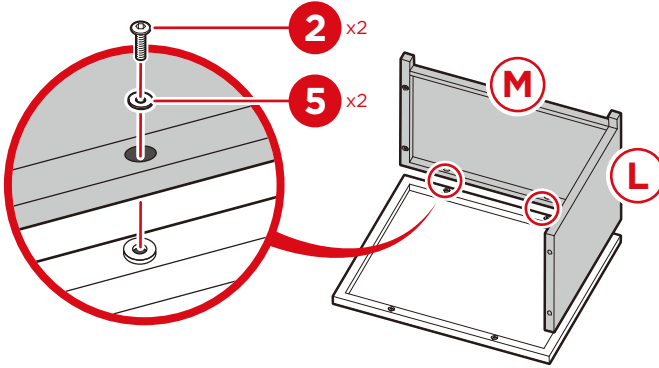
Place the part R bench cushion on the bench assembly and attach by tying off the built-in strings.



PRODUCT ASSEMBLY - OTTOMAN

1

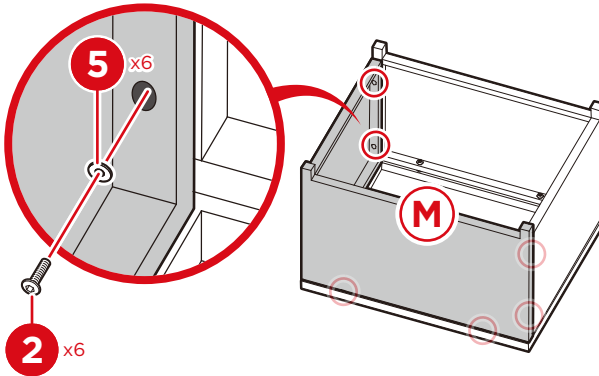
Attach one part M ottoman leg set to the part L ottoman top with two part 2 screws and two part 5 washers.



2

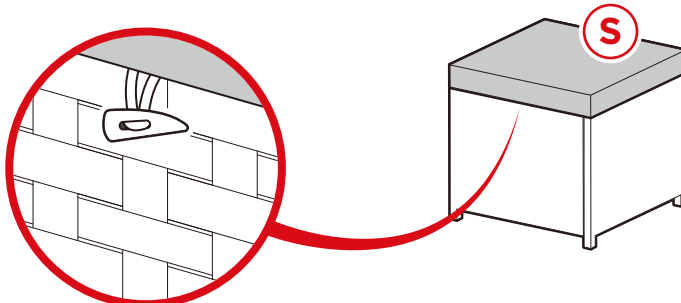
Attach one part M ottoman leg set to the part L ottoman top with two part 2 screws and two part 5 washers.

Connect the two leg sets with four part 2 screws and four part 5 washers.



3

Place the part S ottoman cushion onto the ottoman assembly and attach by tying off the built-in strings.

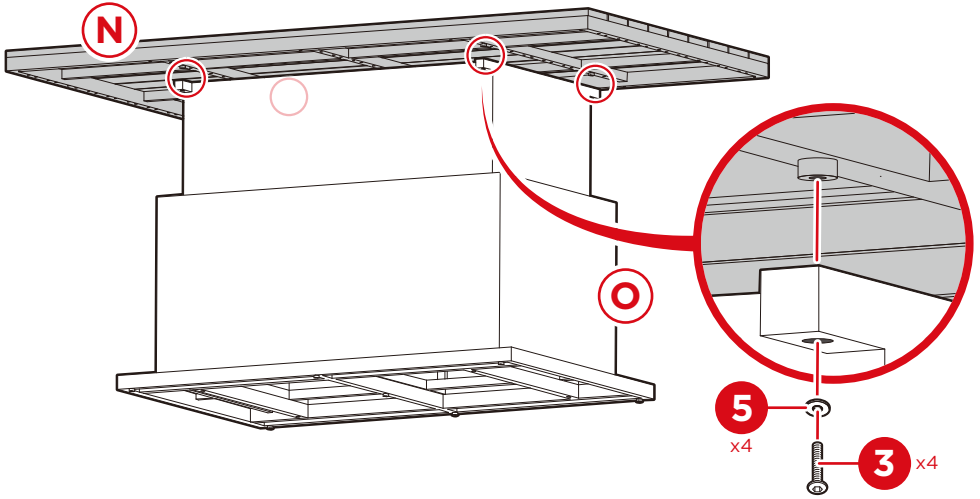


PRODUCT ASSEMBLY - TABLE

1

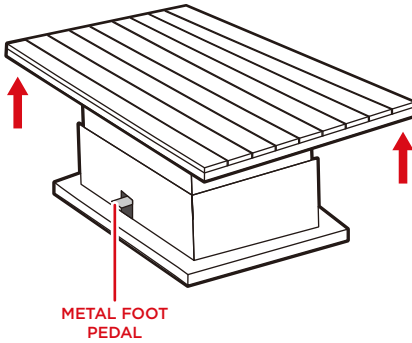
Attach the part N tabletop to the part O table base with four part 3 screws and four part 5 washers.

NOTE: Table must be raised to attach the tabletop. See Height Adjustment section.

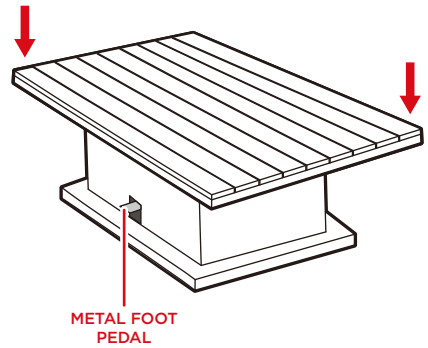


HEIGHT ADJUSTMENT

To raise the table, step on the metal foot pedal until the tabletop reaches your desired height.



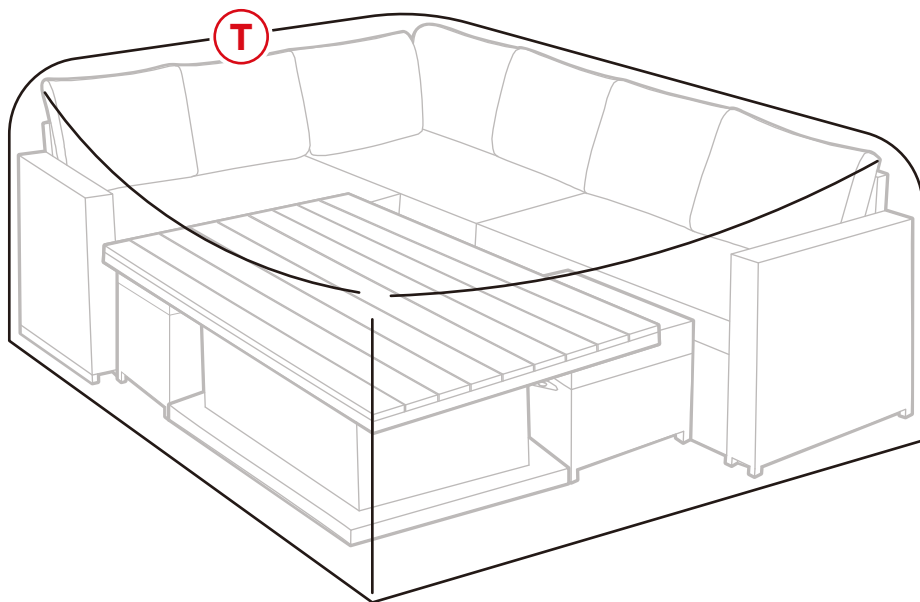
To lower the table, step on the metal foot pedal and push down on the tabletop with both hands until it reaches your desired height.



STORAGE

Arrange the furniture as shown below, then cover with the part T furniture cover.

NOTE: Cover this furniture set when not in use for an extended time, or during periods of inclement weather.





bestchoiceproducts

Check out more great products:

[bestchoiceproducts.com](https://www.bestchoiceproducts.com)

Earn points while you shop. Join today!

bestchoiceproducts
rewards

Join | Earn | Redeem

Give your friends 15% off their first order! For each successful referral you'll receive 100 points.

bestchoiceproducts.com



HELP CENTER



Question about your product? We're here to help. Visit us at:

help.bestchoiceproducts.com



Chat Support



Product Inquiry



Orders FAQ



Product Assembly



Returns & Refunds

PRODUCT WARRANTY INFORMATION

All items can be returned for any reason within 60 days of the receipt and will receive a full refund as long as the item is returned in its original product packaging and all accessories from its original shipment are included. All returned items will receive a full refund back to the original payment method. All returned items will not be charged a re-stocking fee.

All returned items require an RA (Return Authorization) number, which can only be provided by a Best Choice Products Customer Service Representative when the return request is submitted. Items received without an RA may not be accepted or may increase your return processing time. Once an item has been received by Best Choice Products, refunds or replacements will be processed within 5 business days.

All returns must be shipped back to the Best Choice Products Return Center at the customer's expense. If the reason for return is a result of an error by Best Choice Products then Best Choice Products will provide a pre-paid shipping label via email. Boxes for return shipping will not be provided by Best Choice Products, and is the customer's responsibility to either use the original shipping boxes or purchase new boxes.

Pictures may be required for some returns to ensure an item is not damaged prior to its return. Items returned are not considered undamaged until they are received by Best Choice Products and verified as such. All damages to items are the customer's responsibility until the item has been received by and acknowledge by Best Choice Products as undamaged.



WARNING

Manufacturer and seller expressly disclaim any and all liability for personal injury, property damage or loss, whether direct, indirect, or incidental, resulting from the incorrect attachment, improper use, inadequate maintenance, unapproved modification, or neglect of this product.