





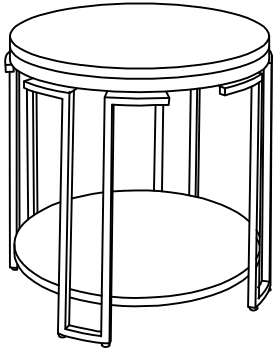


HEKMAN

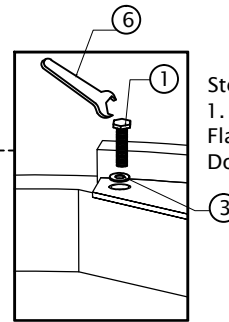
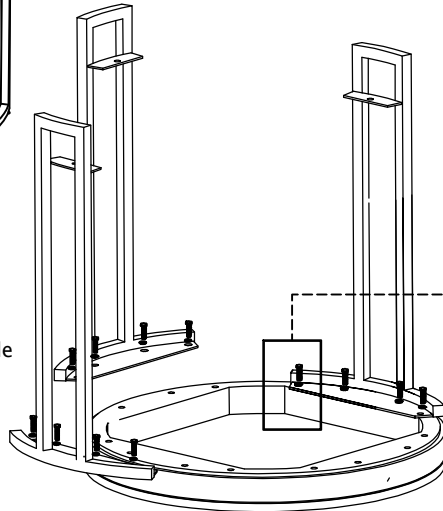
ASSEMBLY INSTRUCTION 24104 ROUND END TABLE

HARDWARE LIST

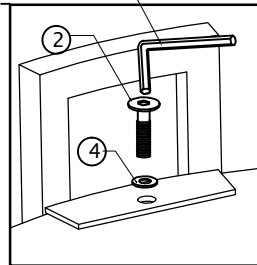
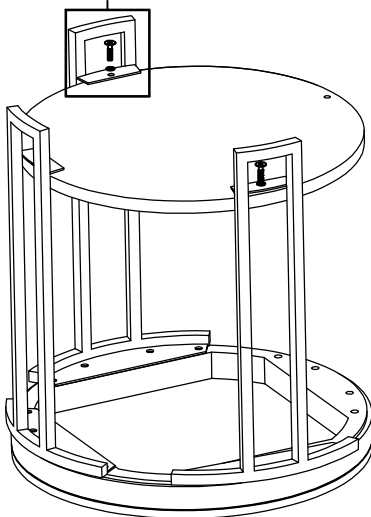
Part	Item	Description	Qty
1.		Bolt BO M8 x 20 mm	16 pcs
2.		JCBC Bolt M6 x 20mm	4 pcs
3.		Flat Washer 8 x 20	16 pcs
4.		Flat Washer 6 x 15	4 pcs
5.		Allen Key L4	1 pc
6.		Wrench	1 pc



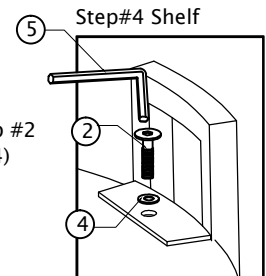
Step #1
1. Lay Top upside down on soft clean surface.



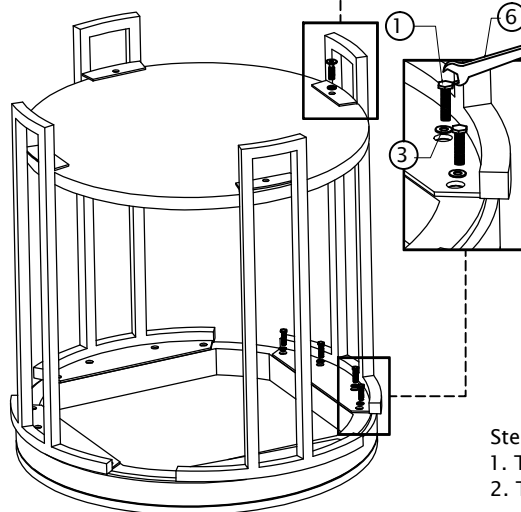
Step #2
1. Attach 3 legs using Bolt (1), Flat Washer(3), Wrench (6). Do not tighten bolts completely.



Step#3
1. Attach Shelf to the three legs attached to top assembly in step #2 using JCBC Bolt(2), Flat Washer(4) and Allen key(5).



Step#4 Shelf



Step#4
1. Attach the fourth leg to top assembly and shelf using Bolt(1), Flat Washer(3) and Wrench(6) for the top assembly and JCBC Bolt(2), flat washer(4) and Allen Key(5) for the shelf.

Step#5
1. Tighten all Bolts completely
2. Turn Round End Table Upright