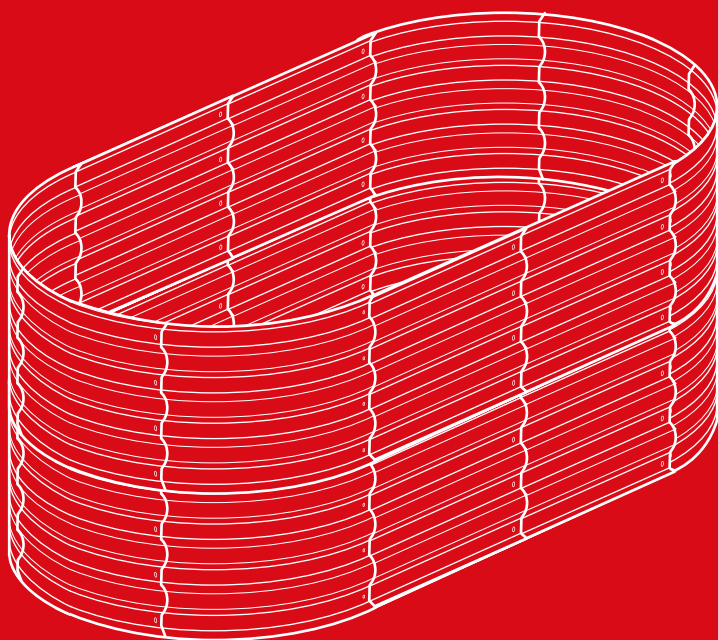




BEST CHOICE
PRODUCTS



INSTRUCTION MANUAL

4x2x2 Oval Metal Garden Bed

! NOTICE

Please retain these instructions for future reference.

- Do not stand on or use any part of this item as a step ladder.
- Firmly secure all bolts, screws, and knobs before use.
- Reconfirm that all bolts, screws, and knobs are secure every 90 days.
- Be aware that some parts are heavy and have sharp edges.
- If any parts are missing, broken, damaged, or worn, stop using this product until repairs are made and/or factory replacement parts are installed.
- Do not use this item in a way that is inconsistent with the manufacturer's instructions as this could void the product warranty.
- This product contains small parts for assembly. Keep small children and pets away during assembly.
- This product is intended for residential use only.

TOOLS REQUIRED



PHILLIPS
SCREWDRIVER



1 PERSON
ASSEMBLY



UP TO 30 MIN.
ASSEMBLY

HARDWARE

1

M6 X 15mm
SCREW



80 PCS

2

M6 WASHER



80 PCS

3

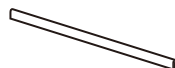
M6 WINGNUT



80 PCS

4

RUBBER
BUMPER



1 PC

PARTS

A

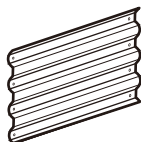
CURVED END
PANEL



12 PCS

B

SIDE PANEL

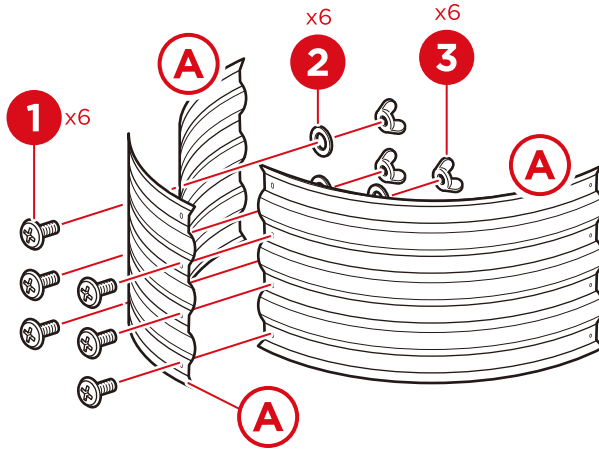


8 PCS

PRODUCT ASSEMBLY

1

Connect three **part A curved end panels** with six **part 1 screws**, six **part 2 wingnuts**, and six **part 3 washers**. Leave the top connector holes open.

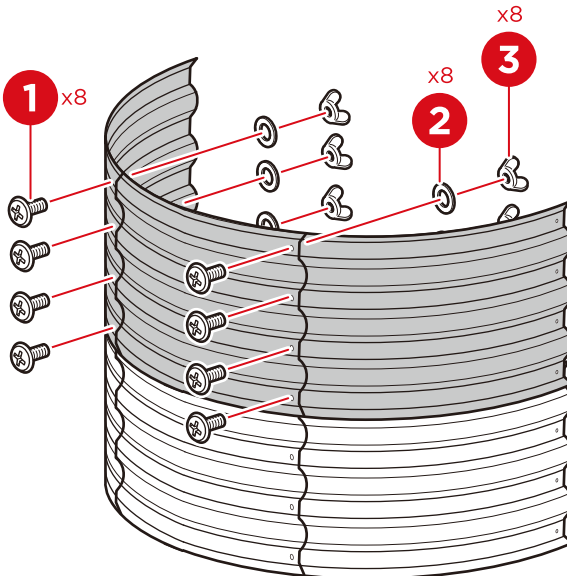


2

Connect three **part A curved end panels** with six **part 1 screws**, six **part 2 wingnuts**, and six **part 3 washers**. Leave the bottom connector holes open.

Connect the two panel assemblies by overlapping their open connector holes, then secure with two **part 1 screws**, two **part 2 wingnuts**, and two **part 3 washers**.

Repeat steps 1 & 2 to assemble the other end of the planter.

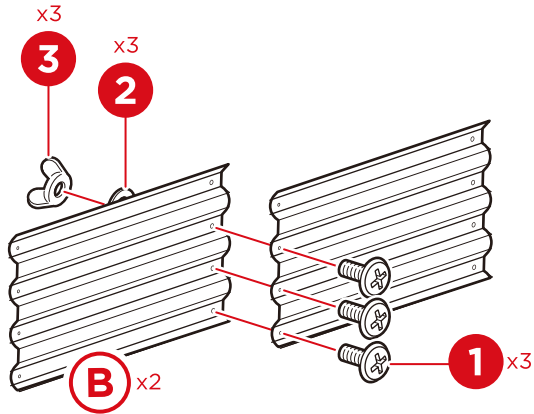


PRODUCT ASSEMBLY

3

Connect two **part B side panels** with three **part 1 screws**, three **part 2 wingnuts**, and three **part 3 washers**. Leave the top connector holes open.

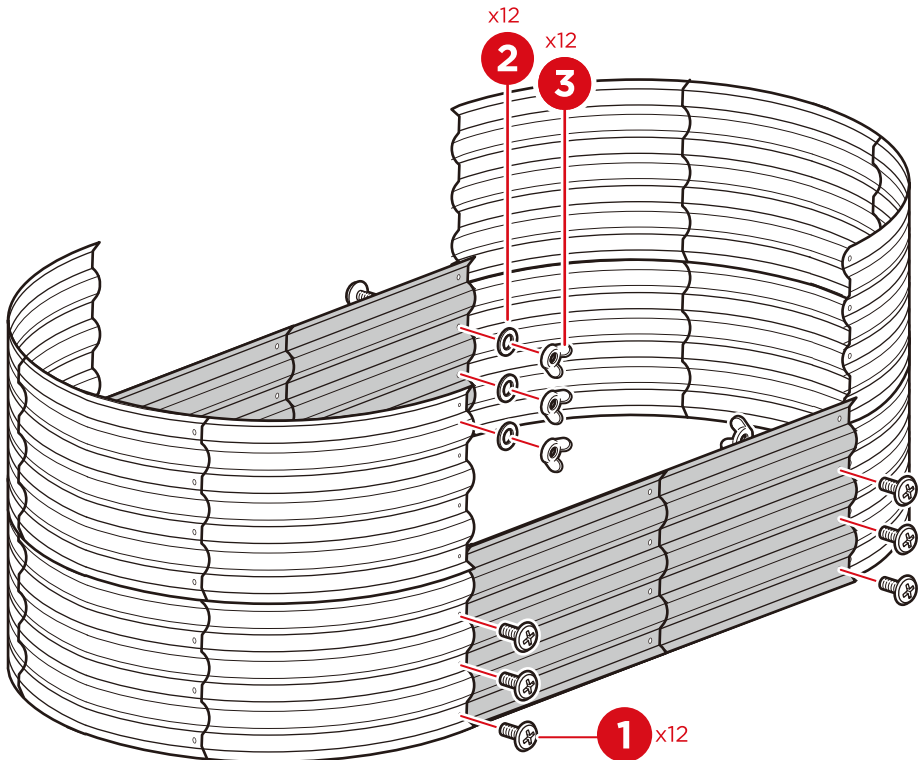
Repeat to complete another side panel assembly.



4

Attach one side panel assembly to the two end panel assemblies with six **part 1 screws**, six **part 2 wingnuts**, and six **part 3 washers**. Leave the top connector holes open.

Repeat to attach the other side panel assembly to the two end panels.

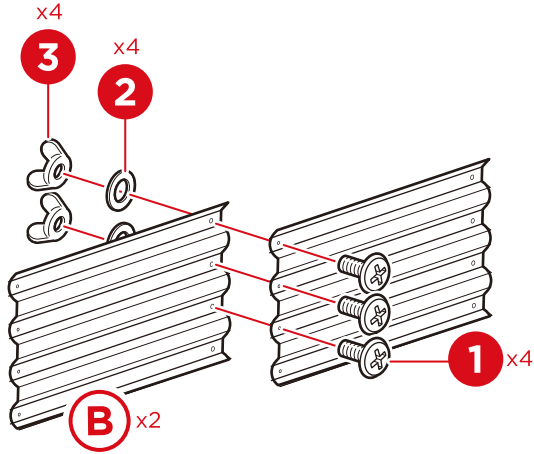


PRODUCT ASSEMBLY

5

Connect two **part B** side panels with three **part 1** screws, three **part 2** wingnuts, and three **part 3** washers. Leave the bottom connector holes open.

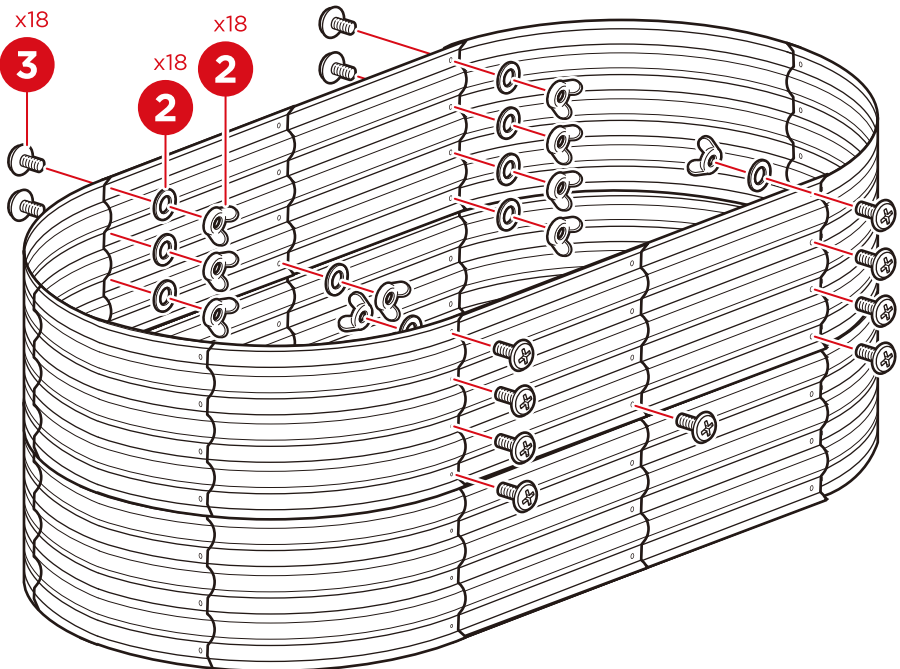
Repeat to complete another side panel assembly.



6

Overlap the open connector holes of the two side panel assemblies and secure with three **part 1** screws, three **part 2** wingnuts, and three **part 3** washers. Secure the side panel assembly to the two end panel assemblies with six **part 1** screws, six **part 2** wingnuts, and six **part 3** washers.

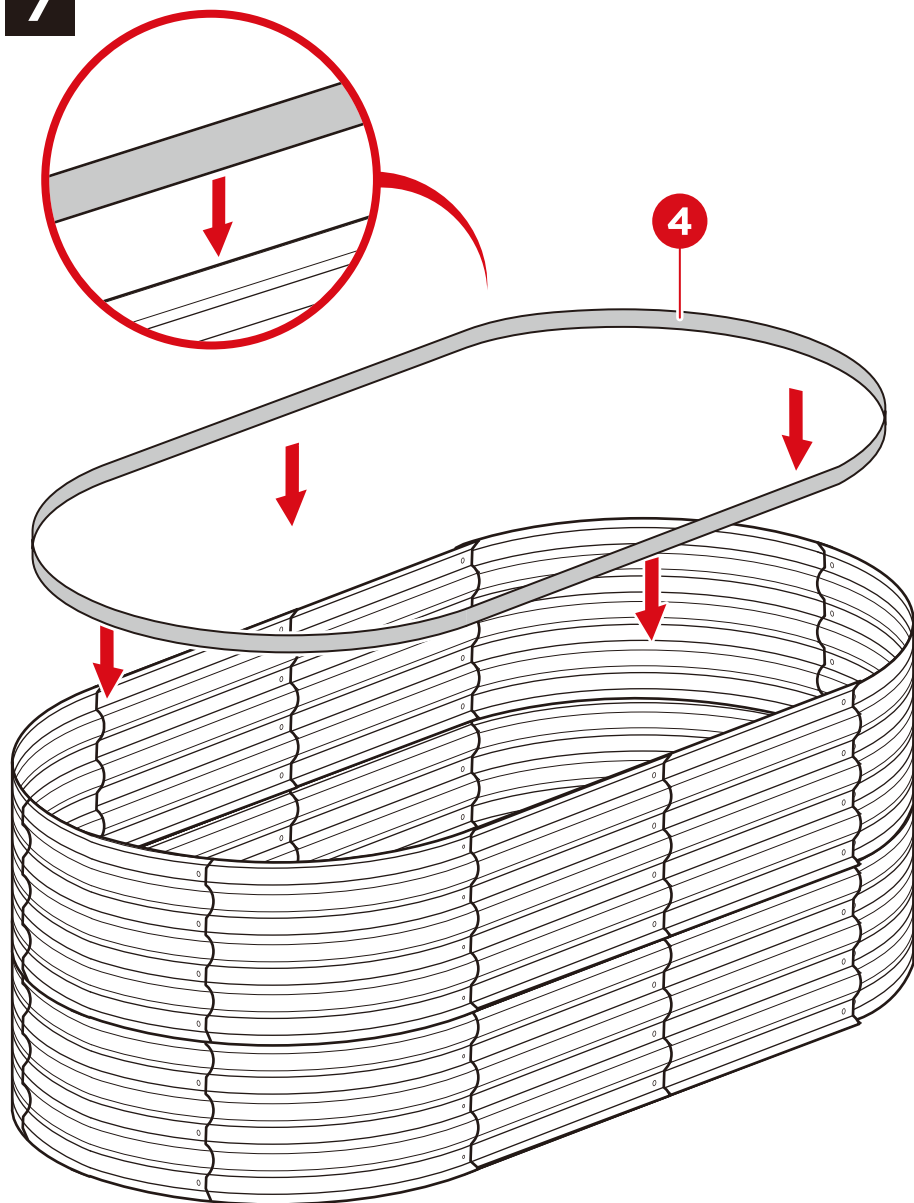
Repeat on the other side to complete the product assembly.



PRODUCT ASSEMBLY

7

Place the **part 4 rubber bumper** onto the top edges of the assembled garden bed.



Earn points while you shop. Join today!

bestchoiceproducts
rewards

Join | Earn | Redeem

Give your friends 15% off their first order! For each successful referral you'll receive 100 points.

bestchoiceproducts.com



HELP CENTER



Question about your product? We're here to help. Visit us at:

help.bestchoiceproducts.com



Chat Support



Product Inquiry



Orders FAQ



Product Assembly



Returns & Refunds

PRODUCT WARRANTY INFORMATION

All items can be returned for any reason within 60 days of the receipt and will receive a full refund as long as the item is returned in its original product packaging and all accessories from its original shipment are included. All returned items will receive a full refund back to the original payment method. All returned items will not be charged a re-stocking fee.

All returned items require an RA (Return Authorization) number, which can only be provided by a Best Choice Products Customer Service Representative when the return request is submitted. Items received without an RA may not be accepted or may increase your return processing time. Once an item has been received by Best Choice Products, refunds or replacements will be processed within 5 business days.

All returns must be shipped back to the Best Choice Products Return Center at the customer's expense. If the reason for return is a result of an error by Best Choice Products then Best Choice Products will provide a pre-paid shipping label via email. Boxes for return shipping will not be provided by Best Choice Products, and is the customer's responsibility to either use the original shipping boxes or purchase new boxes.

Pictures may be required for some returns to ensure an item is not damaged prior to its return. Items returned are not considered undamaged until they are received by Best Choice Products and verified as such. All damages to items are the customer's responsibility until the item has been received by and acknowledge by Best Choice Products as undamaged.



WARNING

Manufacturer and seller expressly disclaim any and all liability for personal injury, property damage or loss, whether direct, indirect, or incidental, resulting from the incorrect attachment, improper use, inadequate maintenance, unapproved modification, or neglect of this product.