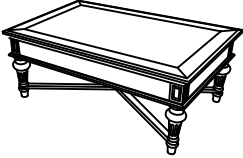
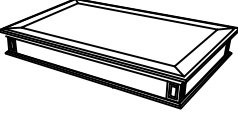
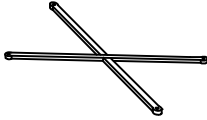




# HEKMAN®

A HOWARD MILLER COMPANY

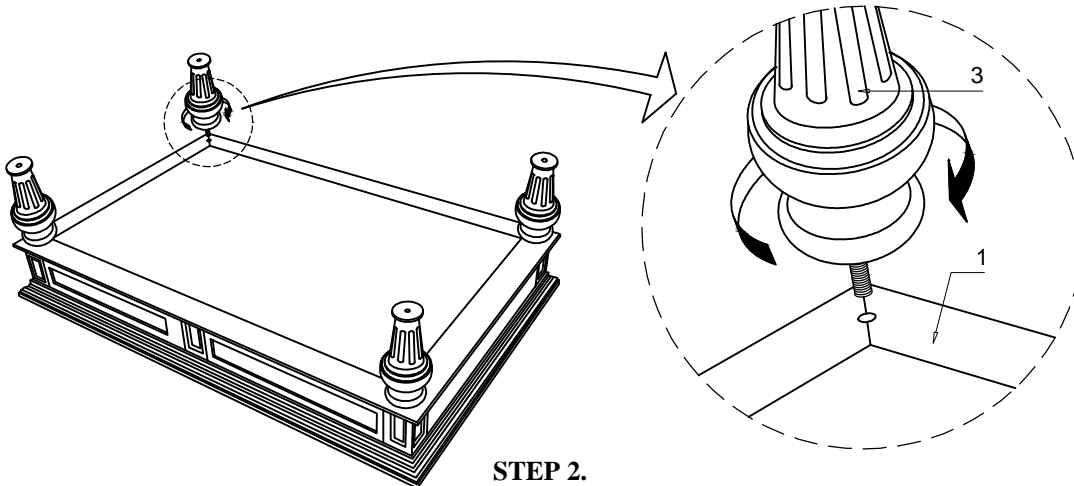
## 23301 LARGE COFFEE TABLE

PART INSIDE				
<b>1</b> TOP ASSEMBLY (1 Pc)	<b>2</b> STRETCHER (1 Pc)	<b>3</b> LEG (4 Pcs)	<b>4</b> BUNFEET (4 Pcs)	
				

### Assembly Instruction

#### STEP 1.

LAY TOP ASSEMBLY UPSIDE DOWN ON A SOFT, CLEAN AND FLAT SURFACE.  
TURN THE LEGS (3) IN THE TOP ASSEMBLY (1).



#### STEP 2.

PLACE STRETCHER ASSEMBLY (2) ON THE LEGS (3).  
TURN THE FEET (4) INTO THE LEGS HOLDING THE STRETCHER ASSEMBLY IN PLACE.

