



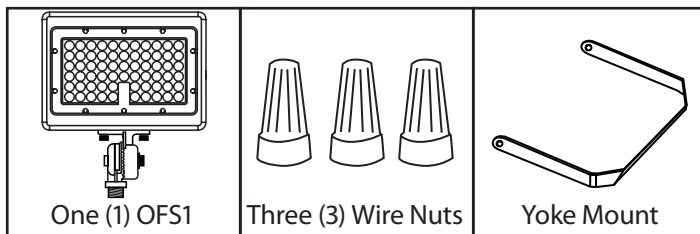
IMPORTANT SAFEGUARDS !

WHEN USING ELECTRICAL EQUIPMENT, BASIC SAFETY PRECAUTIONS SHOULD ALWAYS BE FOLLOWED, INCLUDING THE FOLLOWING:

1. Do not mount near gas or electric heaters.
2. Equipment should be mounted in locations and at heights where it will not be subjected to tampering by unauthorized personnel.
3. The use of accessory equipment not recommended by the manufacturer may cause an unsafe condition.
4. Do not use this equipment for other than its intended use.
5. The installation must only be performed by a licensed electrician.
6. To prevent death, injury or damage to property, this product must be installed in accordance to National Electrical Code (NFPA70) in the US or Canadian Electrical Code (CSA 22.1) in Canada.
7. Disconnect power before installing the product or servicing it.
8. Wait until fixture has cooled down before installing or servicing the fixture.
9. Maximum ambient temperature of 45°C
10. Minimum 75°C supply conductors.

**SAVE THESE INSTRUCTIONS
READ AND FOLLOW ALL SAFETY INSTRUCTIONS**

What's In The Box



Tools Needed

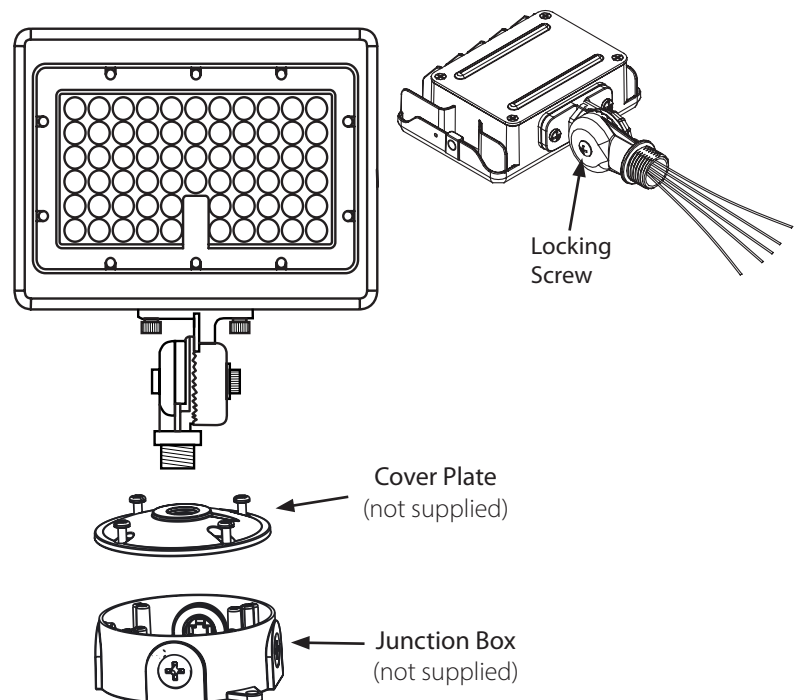
A screwdriver, drill, a pair of wire strippers, and fasteners appropriate for the mounting surface will be needed to install the OFS1.



Make sure all power is turned off before beginning installation

Knuckle Mount (15W, 50W and 80W models)

- Carefully unpack the fixture from its packaging. Inspect the product for defects due to shipping.
- Insert the stem into a 1/2" NPS hole in a junction box cover or landscape post (not provided).
- Secure knuckle stem to cover plate with locknut.
- Plug all unused holes and seal threads with Teflon tape or silicone.
- Connect wires per wiring diagram and install cover plate on junction box.
- The arm on the floodlight allows 180° of vertical aiming adjustment. To adjust the angle, loosen the screw in the side of the pivot point and adjust to the desired angle.
- Tighten screw to lock fixture position.



Note:

The OFS fixture will come pre-installed with a knuckle mount.

Yoke (u-bracket) Mount (50W and 80W models)

- Carefully unpack the fixture from its packaging.
- Inspect the product for defects due to shipping.
- In order to install the yoke mount, first you must remove the knuckle mount that comes with it pre-installed.
- Pass the wires through from the other bracket and rubber, and remove it by unscrewing the large screw. (figure 2.1)
- Pass the wires through the mounting and unscrew the two smaller screws. (figure 2.2)
- Once you have completely removed the knuckle mount, align the yoke mount on the side of the fixture. (figure 2.3)
- Secure both ends of the brackets with the two small screws that you removed from the knuckle mount. Avoid scratching the wires. (figure 2.4)
- Mount the luminaire to the surface using the hole pattern provided on the yoke bracket. recommend a minimum of 3/8"-24 bolts and washers (supplied by others). (figure 2.3)
- Loosen but do not remove the two Pivot bolts.
- Adjust the position of the luminaire to the desired aiming position. (figure 2.5)
- Retighten the pivot bolts.
- The assembly should be rigid for fixture mounting.
- Complete the wiring as per the wiring diagram using a suitable cord grip rated for wet location use (provided by others).

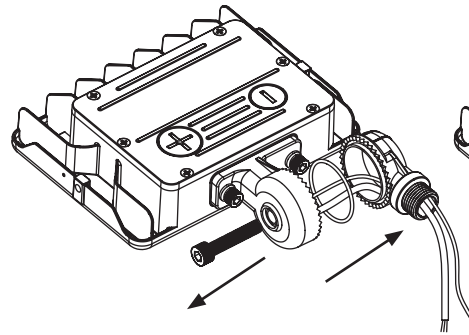


figure 2.1

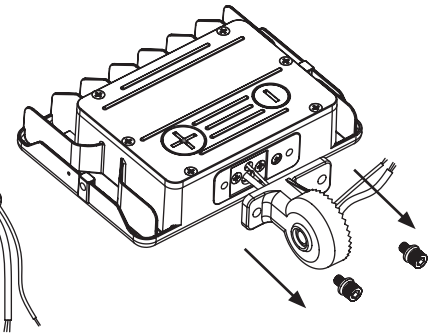


figure 2.2

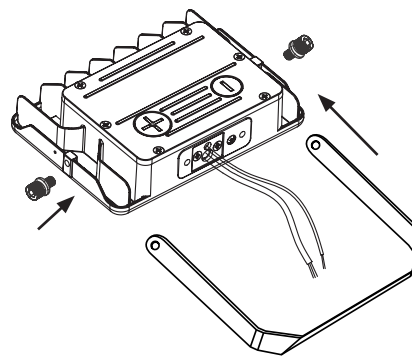
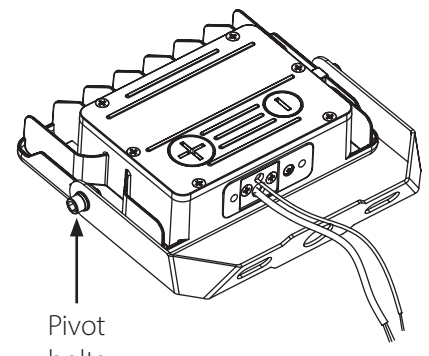


figure 2.3



Pivot bolts

figure 2.4

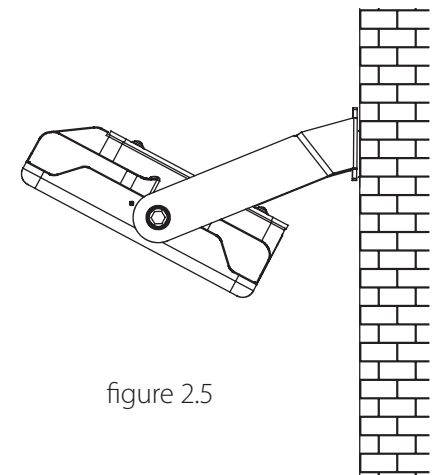


figure 2.5

Note:

The OFS fixture will come pre-installed with a knuckle mount.

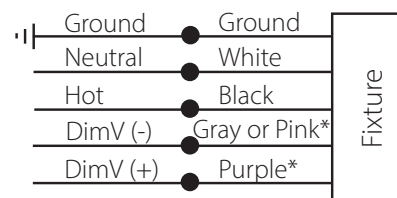
Electrical Installation

Note: Universal voltage driver allows connections from 120VAC to 277VAC, 50/60Hz.

- Connect the black fixture wire to the HOT supply lead.
- Connect the white fixture wire to the NEUTRAL supply lead.
- Connect the ground fixture wire to the GROUND supply lead.

If 0-10V dimming wires are present and desired:

- Connect the purple fixture wire to the DimV+ controls lead.
- Connect the pink fixture wire to the DimV- controls lead.



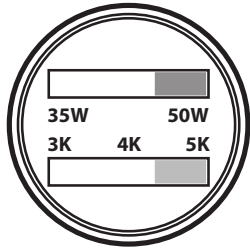
*Cap if not used.

Wattage and CCT Selection (50W & 80W models only)

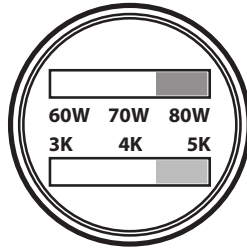
Note: The 15W model is available in Single CCT only and the 50W - 80W are available in Selectable CCT and Wattage Selectable versions. To adjust the CCT or the Wattage on the Selectable versions do the following:

It is recommended to adjust the CCT with the power OFF.

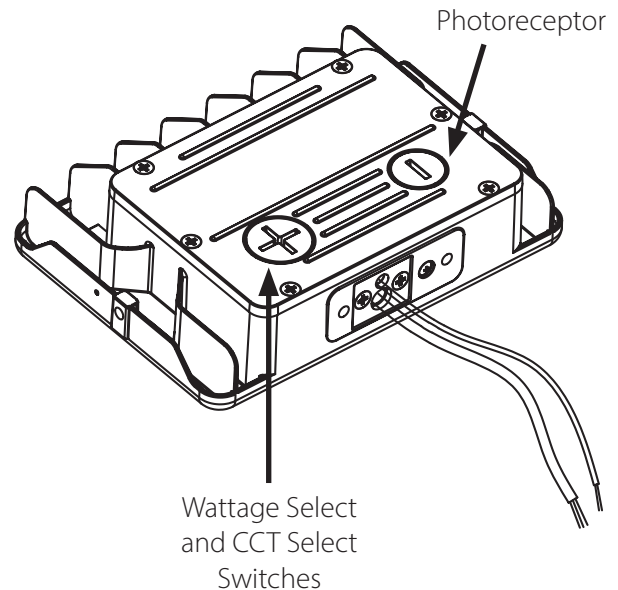
- Unscrew the selector switch cover on the bottom of the fixture.
- Turn the dial to the desired CCT setting (3000K, 4000K, 5000K,)
- Replace the selector switch cover.



50W Model Double
Selectable Switches

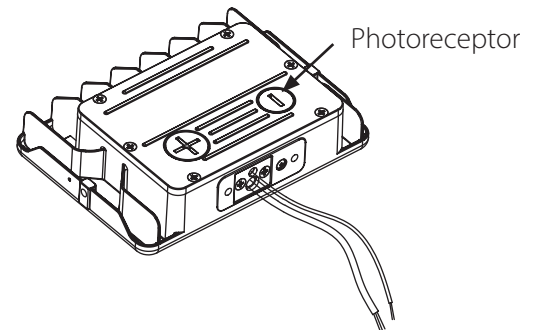


80W Model Double
Selectable Switches



Disabling Photocell Feature

Note: All OFS1 models will come with a pre-connected photocell. In order to disable them, you just need to open the K.O. until it unplugs itself.



Subject to the exclusions below, each NICOR LED product, including the LED electronics and components of a property installed NICOR LED product, will be free from defect in materials and workmanship for a period of five (5) years from the original date of purchase. The product shall be considered defective only if 10% or more of the product's LED components fail. NICOR LED product warranty covers the following performance criteria: LED Light Output will be maintained above 70% of initial output; LED color temperature will not shift more than 200K in CCT; LED driver will operate within NICOR specifications; and the fixture finish, excluding natural aluminum or brass products, will not exhibit cracking, peeling, excessive fading, or corrosion during the warranty period. Exceptions apply as defined in NICOR's product specification sheets, which are incorporated by reference herein.

This limited warranty is provided to you, the purchaser of the product identified on Seller's invoice, as your exclusive remedy and applies only to NICOR products that have been purchased from an authorized NICOR Distributor; the product was new and in an unopened NICOR package at the time of installation; and the NICOR product was installed by a licensed electrician or under the supervision of a licensed electrician and used by consumers in the United States or Canada when accompanied with this warranty. This warranty extends only to the first consumer purchaser and is not transferable. A consumer wishing to invoke the terms of this limited warranty must first obtain a RGA number within 30 days of discovery of the defect, and return the product to NICOR for inspection. Once verified to be covered by this limited warranty, NICOR will, at its sole discretion, repair, replace, or refund the purchase price of any product that does not conform to this limited warranty. If NICOR, at its sole discretion, determines that the product should be repaired or replaced, this warranty is limited to the reasonable, customary, and necessary costs and expenses associated with the repair/replacement. This warranty requires that all repair/replacement estimates and costs, including but not limited to equipment rental (if any), and any other cost or expense to be incurred in the repair/replacement of the product, be approved in advance and in writing by NICOR. FAILURE TO OBTAIN NICOR'S ADVANCE WRITTEN APPROVAL OF ALL REPAIR/REPLACEMENT COSTS AND EXPENSES IN WRITING SHALL VOID THIS LIMITED WARRANTY.

THIS LIMITED WARRANTY DOES NOT COVER THE FOLLOWING:

- Defects or damages resulting from improper installation, operation, storage, misuse or abuse, accident, or neglect;
- Defects or damages resulting from improper service, testing, adjustment, installation, maintenance, alteration, connection to out-of-specification electrical service, corrosive or damp environments, or connection to incompatible equipment or devices (e.g., connecting non-dimmable lighting products to dimmers);
- Damage which occurs in transit;
- Power surges or overheating due to external conditions
- Acts of nature including but not limited to lightning strikes

ANY IMPLIED WARRANTIES, INCLUDING WITHOUT LIMITATION, THE IMPLIED WARRANTIES OF MERCHANTABILITY AND FITNESS FOR A PARTICULAR PURPOSE SHALL BE LIMITED TO THE DURATION OF THIS LIMITED WARRANTY, OTHERWISE THE REPAIR, REPLACEMENT, OR REFUND AS PROVIDED UNDER THIS EXPRESS LIMITED WARRANTY IS THE EXCLUSIVE REMEDY OF THE CONSUMER, AND IS PROVIDED IN LIEU OF ALL OTHER WARRANTIES, EXPRESS OR IMPLIED. IN NO EVENT SHALL NICOR BE LIABLE, WHETHER IN CONTRACT OR IN TORT (INCLUDING NEGLIGENCE) FOR DAMAGES IN EXCESS OF THE PURCHASE PRICE OF THE PRODUCT, OR FOR ANY INDIRECT, INCIDENTAL, SPECIAL OR CONSEQUENTIAL DAMAGES OF ANY KIND, OR LOSS OF REVENUE OR PROFITS, LOSS OF BUSINESS OR OTHER FINANCIAL LOSS ARISING OUT OF OR IN CONNECTION WITH THE ABILITY OR INABILITY TO USE THE PRODUCT TO THE FULL EXTENT THESE DAMAGES MAY BE DISCLAIMED BY LAW

This device complies with part 15 of the FCC Rules. Operation is subject to the following two conditions: (1) This device may not cause harmful interference, and (2) this device must accept any interference received, including interference that may cause undesired operation.

NOTE: This equipment has been tested and found to comply with the limits for a Class B digital device, pursuant to part 15 of the FCC Rules. These limits are designed to provide reasonable protection against harmful interference in a residential installation. This equipment generates, uses and can radiate radio frequency energy and, if not installed and used in accordance with the instructions, may cause harmful interference to radio communications. However, there is no guarantee that interference will not occur in a particular installation. If this equipment does cause harmful interference to radio or television reception, which can be determined by turning the equipment off and on, the user is encouraged to try to correct the interference by one or more of the following measures:

- Reorient or relocate the receiving antenna.
- Increase the separation between the equipment and receiver.
- Connect the equipment into an outlet on a circuit different from that to which the receiver is connected.
- Consult the dealer or an experienced radio/TV technician for help.