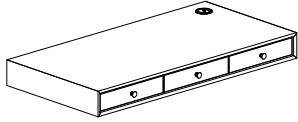


# ASSEMBLY INSTRUCTION

## 3-DRAWER DESK WITH METAL BASE & WIRELESS CHARGER

**A** Top



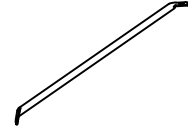
1 PC

**B** Leg



4 PCS

**C** Rail



4 PCS

**D** Long Bolt  
1/4" x 7/8"



12 PCS

**E** Bolt  
1/4" x 3/4"



8 PCS

**F** Spring Washer  
1/4"



16 PCS

**G** Flat Washer  
1/4"

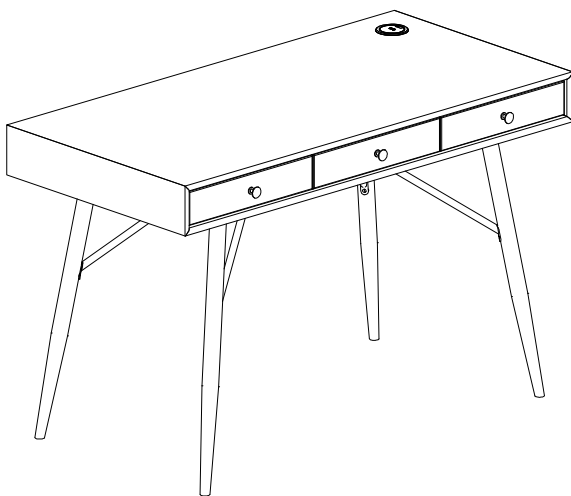


16 PCS

**H** Allen Key  
M4



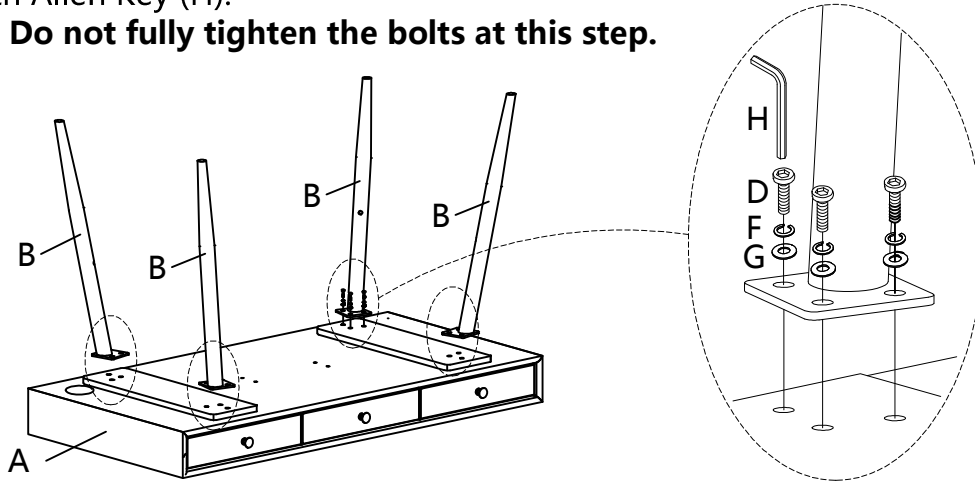
1 PC



This page lists all the contents included in the box. Please take the time to identify the hardware as well as the individual components to this product. As you unpack and prepare for assembly, place the contents on a carpeted or padded area to protect them from damage.

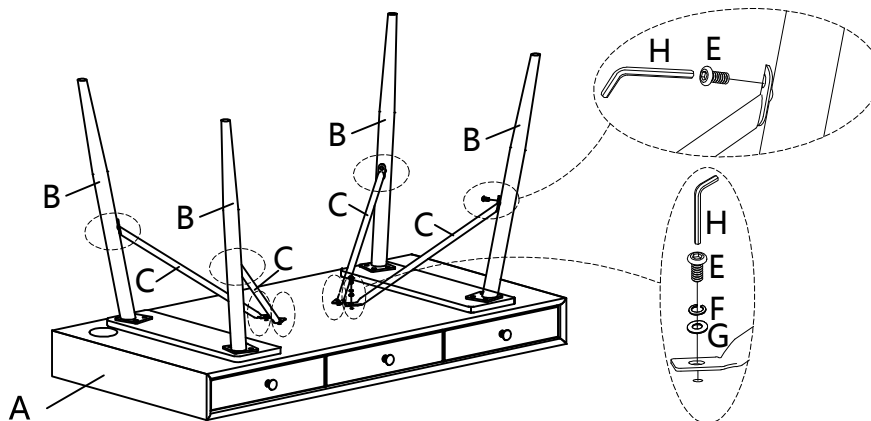
- 1** Attach Leg (B) to bottom of Top (A) using Long Bolt (D), Spring Washer (F), Flat Washer (G) with Allen Key (H).

**Note: Do not fully tighten the bolts at this step.**

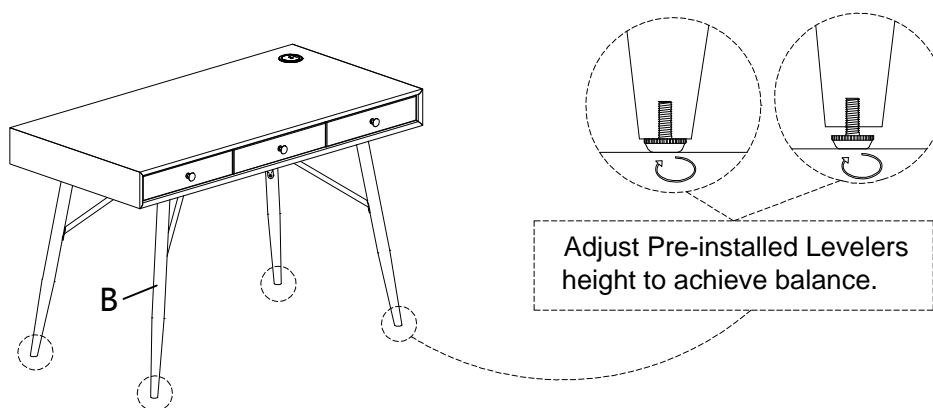


- 2** Attach Rail (C) to bottom of Top (A) using Bolt (E), Spring Washer (F), Flat Washer (G) with Allen Key (H) and attach Rail (C) to Leg (B) using Bolt (E) with Allen Key (H).

**Note: Fully tighten all bolts at this step.**



- 3** With assistance from your adult partners, turn the Desk right way up. Adjust the Pre-installed Levelers on the bottom of Leg (B) until the Desk is level with the ground.



---

## Technical Specification

Input: 5V/2.0A / 9V/2.0A  
USB Output: 5V/1.5-2.0A  
Wireless Charging Output: 5W,10W (compatible with 7.5W)

Wireless Charging Area  
USB Output



---

## Wireless Charger Functional Specification

1. Please choose the suitable charging cable to connect the USB port and your device.
2. Connect this wireless charger with power by building in USB cable. The USB port LED will turn red when the product can be used.
3. Before using this wireless charger, please confirm that the device supports wireless charging.
4. This wireless charging supports fast charging with 5W, 10W and compatible with 7.5W wireless output. Please confirm the power that you connect is 9V/2.0A to use fast charging function.
5. As charging device via wireless charger, please put the device on the charging area with distance 2-6mm. If the cell phone is over 6mm, please take off the cell phone protection case before charging.
6. The USB port LED will turn green/blue during charging.

---

## Wireless Charger Attentions

1. This product can not be discharge via USB and wireless output at the same time, otherwise it will occur abnormality.
2. This product does not have waterproof function. It is strictly prohibited to clean the charger with wet cloth or in water so as not to cause leakage, short circuit or other faults.
3. When the USB output is not used, please turn the upper cover to cover the USB port.
4. Please do not expose the product to sunlight, damp or rainwater for a long time. Avoid using the product in such environment at the same time.
5. Please do not use the product in a closed environment to avoid bad heat dissipation to cause the charger and cell phone to be permed and reduce lives.
6. This product has been tested that no outage or overheating will occur during charging (with the test by iPhone, Samsung, LG, HTC, etc.).
7. It is a normal phenomenon if the product and cell phone have slight fever during the charging. However, if abnormal conditions occur, such as smoke, smell, heat, deformation, fire or any conditions that cause damage during the use of charger, please stop using immediately.
8. Please do not place metal objects on wireless charging area.
9. Please do not self-disassemble or throwing the product into the fire to avoid short circuit and caused the accident by equipment on fire or burst.

---

## Cleaning & Care

Treat surface with care. Surface is resistant to scratches but is not scratch resistant. Clean surfaces with a dry or damp soft cloth. Do not use abrasive cleaners. Hardware may loosen over time. Periodically check that all connections are tight.