

# IN-CEILING/IN-WALL SPEAKER

## Pre-Construction Brackets

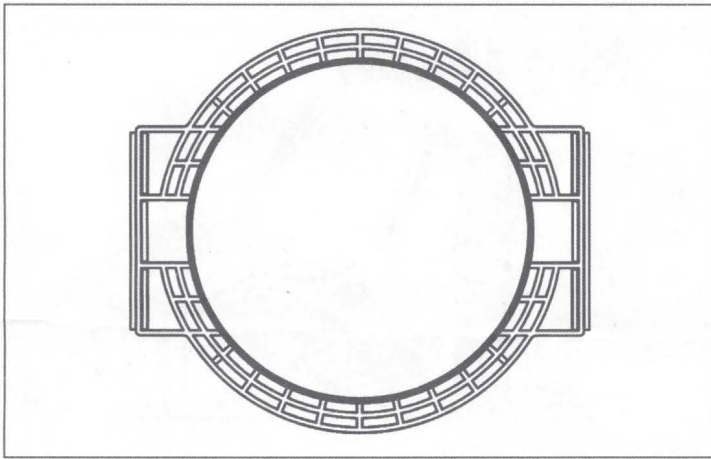
- Conveniently position your in-wall or in-ceiling speakers during construction.
- Easy cut-out when drywall is installed.

### Installation:

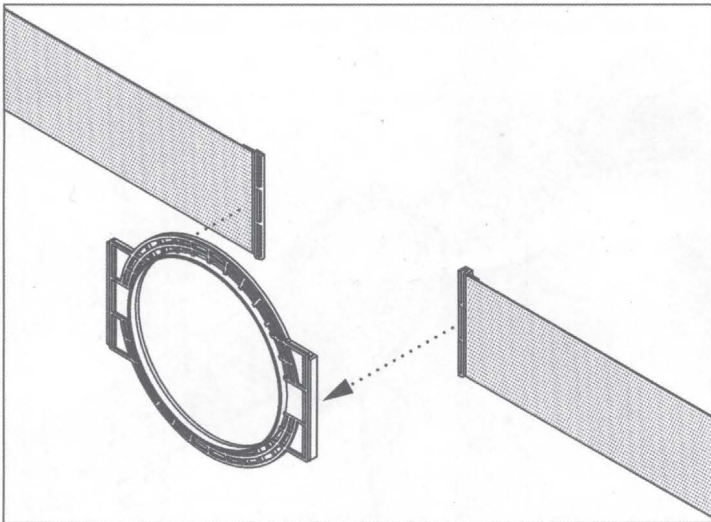


**Caution:** Edges of wing supports may be sharp.

1. Position the plastic bracket so that the flange is facing you.

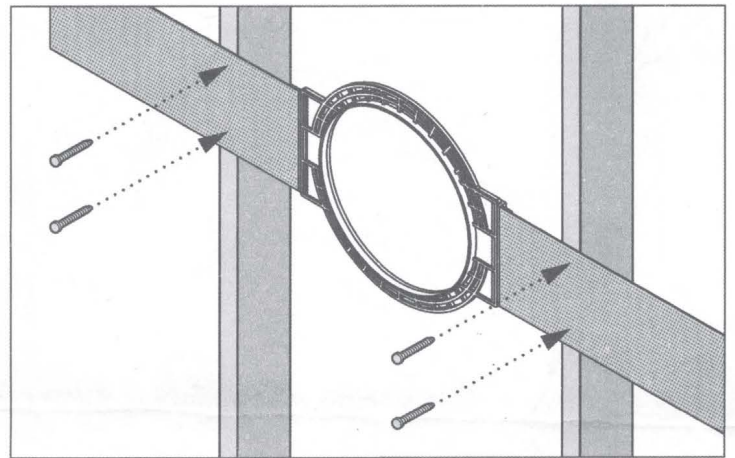


2. Snap the wings into the slots from behind.



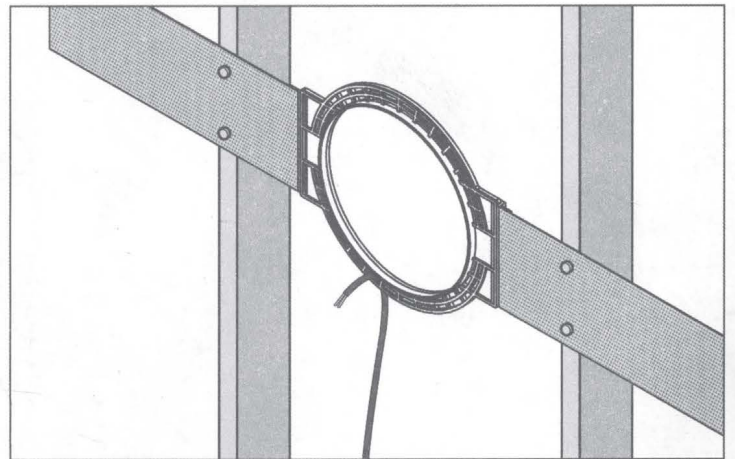
3. Place the bracket on the joists or studs (plastic flange faces out).

4. Using suitable drywall screws, nails or staples, mount the wing supports to the joists or studs.



5. If there is any excess metal from the wing supports, wrap and secure to a stud or joist or break it off.

6. Speaker wire can be looped through any hole of the perimeter of the bracket until installation.



**MARTIN LOGAN**

Lawrence, Kansas, USA [www.martinlogan.com](http://www.martinlogan.com)

©2018 MartinLogan. All rights reserved.