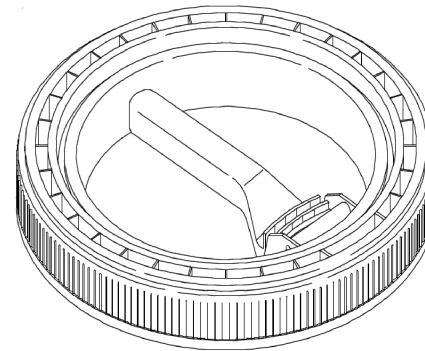


General Specifications for cover:

Material: High Density Polyethylene (HDPE)
Method of Mfg: Injection Molding
Weight: 1.57lbs/614g
Cover Height: 2"
Min. Wall Thickness: .090" (90 mil)
Top OD: 12.47"
Bottom OD: 13.07"
Fitting: Non-Spouted
American Flange Plastic 38MM Spout

Case Qty: 26 per case/312 per pallet
Standard Color: White, Red186, Blue300
Please inquire about custom colors

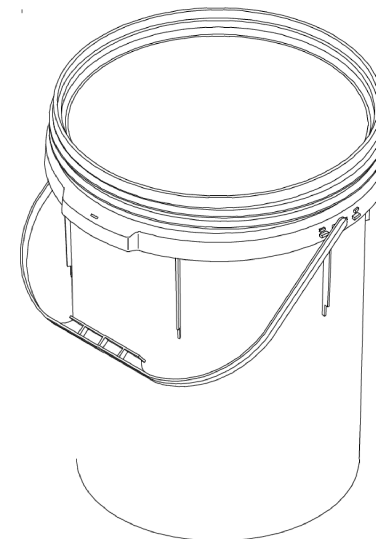


General Specifications for Pail:

Material: High Density Polyethylene (HDPE)
Method of Mfg: Injection Molding
Nominal Capacity: 5.0 Gallons
Weight: 2.83lbs/1191g
Gasket: EPDM
Min. Wall Thickness: .090" (90 mil)
Exterior Height: 16.46"
Overall Height w/cover: 16.75"
Top ID: 12.03"
Bottom OD: 10.51 "
Shipping: Case: 3 pails and lids per case
Pallet: 72 units
Truckload: 2,880 units
Handle: Plastic Handle
Printing Dimensions: 9." x 34.25"
Nesting: Tapered walls for nesting
Standard Color: White
Please inquire about custom colors

UN Certification: 1H2/Y30/S
1H2/Y1.5/30

Top ID: 12.03



Height
16.46"

Height
w/cover
16.75"

Bottom OD: 10.51"

DISCLAIMER

THIS INFORMATION IS PROVIDED AS A GENERAL GUIDE, INCLUDING DIMENSIONS. IT IS THE CUSTOMER'S RESPONSIBILITIES TO SELECT THE PROPER CONTAINER FOR PRODUCT AND APPLICATION COMPATIBILITY.

DISTRIBUTED BY:



REF NO.:

DWG10132

DESCRIPTION:

5 gallon HDPE Life Latch Open Head Pail