



Freshman™ | K-4989-R

Siphon-jet half-stall 1.0 gpf urinal, rear spud

Features

- Siphon jet
- 3/4" (19 mm) rear spud
- 1.0 gpf (3.8 lpf)
- Includes inlet and outlet spuds and hangers



Available Colors/Finishes

Color tiles intended for reference only.

- 0 White
- 7 Black Black



1-800-4KOHLER (1-800-456-4537)
Kohler Co. reserves the right to make revisions without notice to product specifications.
For the most current specification sheet, go to www.kohler.com USA or www.kohler.ca Canada.
4-29-2026 23:2 - US-CA

THE BOLD LOOK
OF **KOHLER**

Codes/Standards

ASME A112.19.2/CSA B45.1
DOE - Energy Policy Act 1992

Technical Information

All product dimensions are nominal.

Spud size:	Inlet, Rear
Trapway Type:	Concealed
Flush Rate:	1.0 gpf (3.8 lpf)

Designed for the above water use when installed with a water-saving flushometer.

Material

- Vitreous china
-

Recommended Products/Accessories

K-23726 Drain treatment

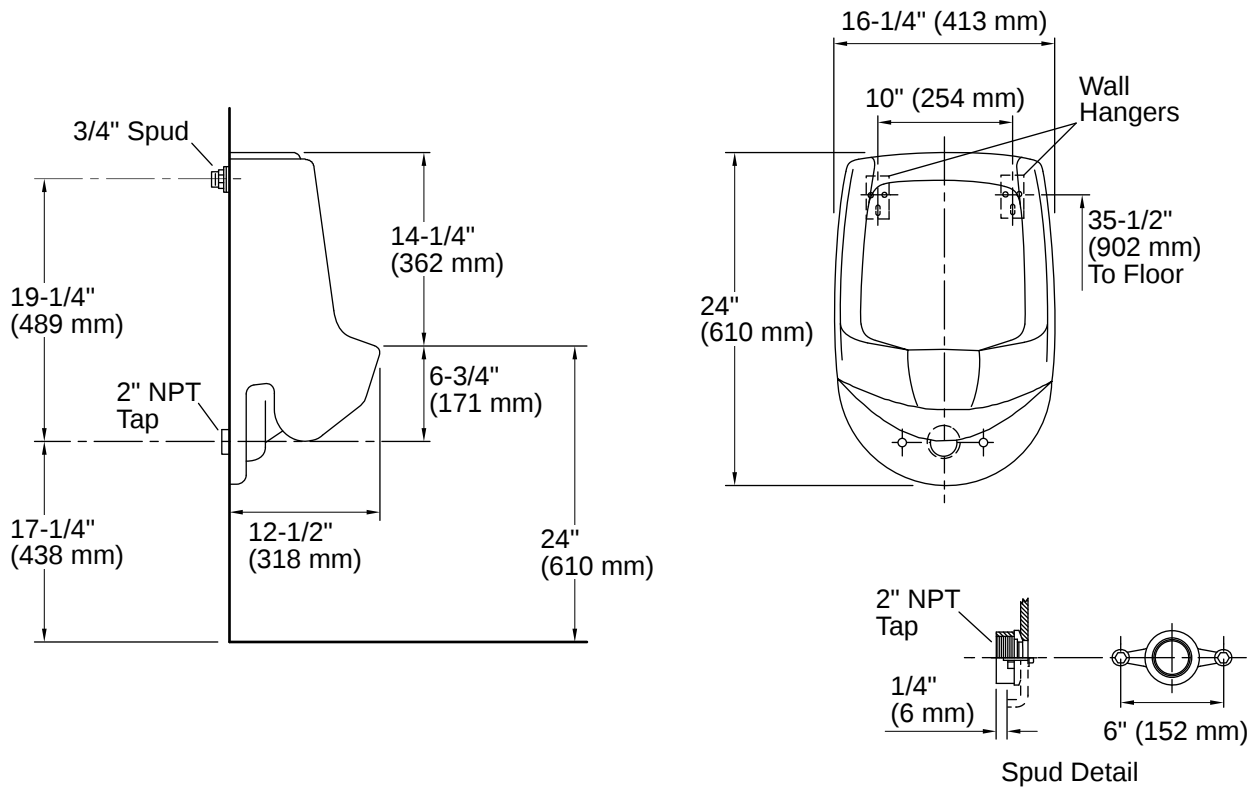
K-23725 Cast iron cleaner

Warranty

See website for detailed warranty information.

KOHLER® One-Year Limited Warranty





Installation Notes

Install this product according to the installation instructions.

Product dimensions are nominal and may vary per ASME A112.19.2 tolerances.

