


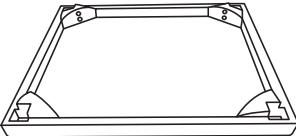
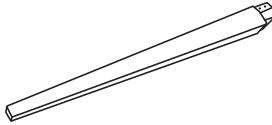
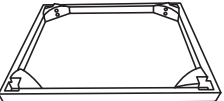
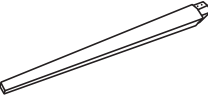
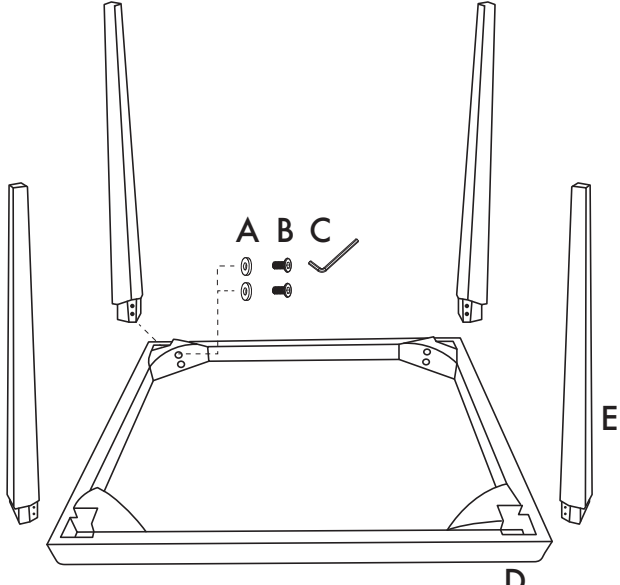
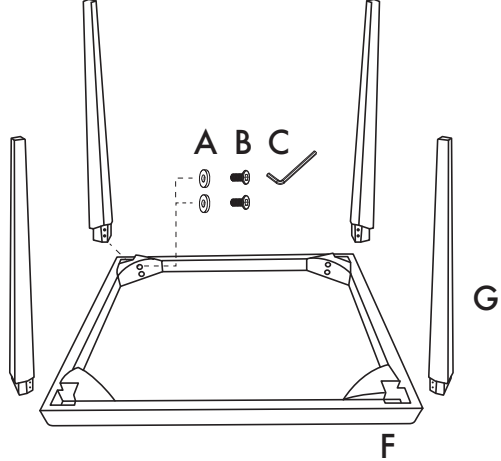
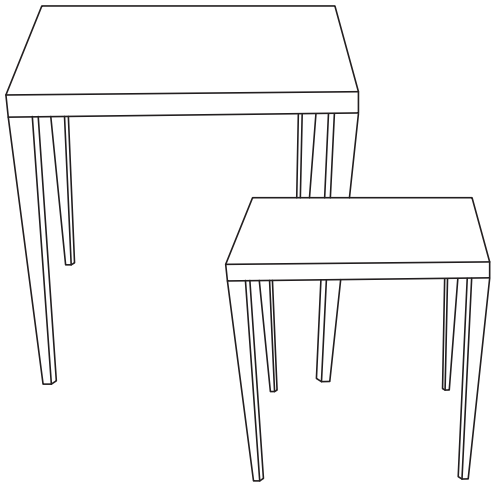


PARTS	STEP 1
 <p>A 16PCS</p>  <p>B 16PCS</p>  <p>C 4PCS</p>  <p>D 4PCS</p>  <p>E 4PCS</p>  <p>F</p>  <p>G 4PCS</p>	 <p>Diagram illustrating Step 1: Attaching legs D and E to the frame using screws A, washers B, and brackets C.</p>
	<p>STEP 2</p>  <p>Diagram illustrating Step 2: Attaching legs F and G to the frame using screws A, washers B, and brackets C.</p>
	<p>FINAL</p>  <p>Diagram illustrating the final assembled table set.</p>