
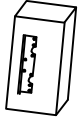

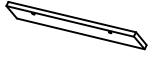






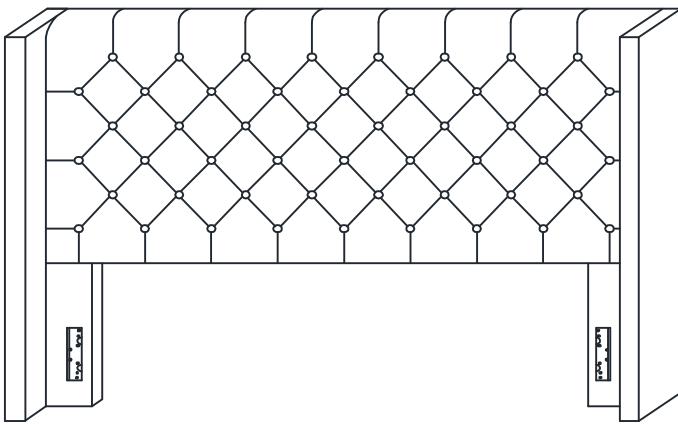


ASSEMBLY INSTRUCTION

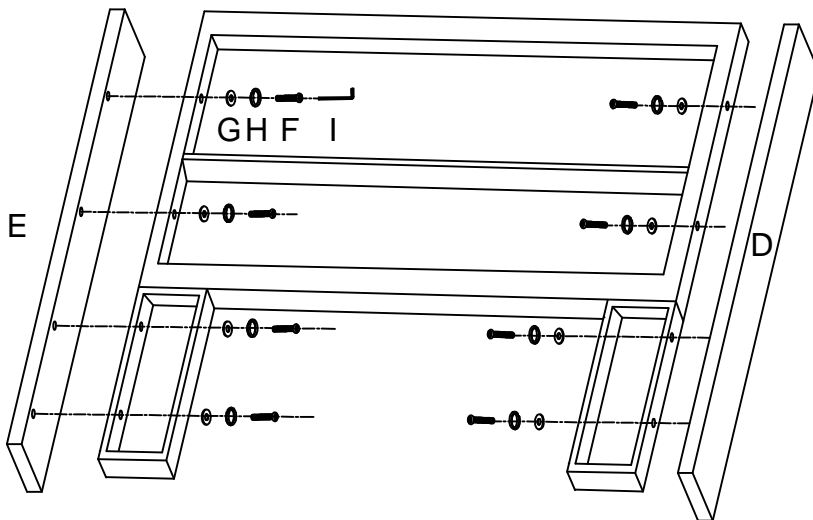
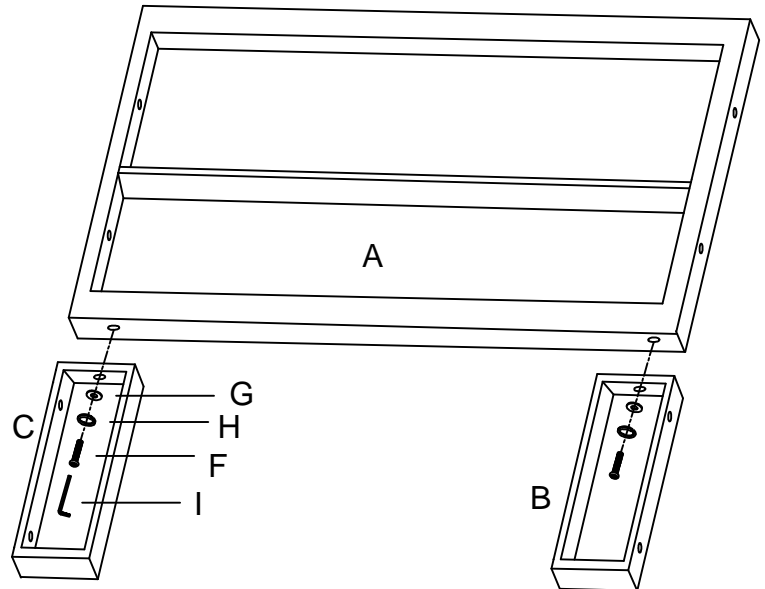
TUFTED WINGBACK FULL/QUEEN/KING HEADBOARD

A Headboard	B Left Wooden Frame	C Right Wooden Frame	D Left Side Panel	E Right Side Panel
 1pc	 1pc	 1pc	 1pc	 1pc
F Bolt 1/4" x 50mm	G Flat Washer	H Lock Washer	I Allen Wrench	J Back Cover
 10pcs	 10pcs	 10pcs	 1pc	 1pc



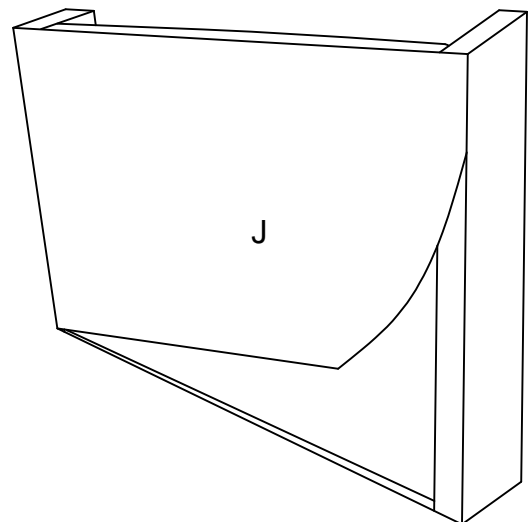
This page lists all the contents included in the box. Please take the time to identify the hardware as well as the individual components to this product. As you unpack and prepare for assembly, place the contents on a carpeted or padded area to protect them from damage.

-
- 1** Attached Wooden Frame (B) (C) to the Headboard (A) use Bolt (F), Lock Washer (H) and Flat Washer (G). Turn the Allen Wrench (I) in Bolt (F).



-
- 2** Attached Side Panel (D) (E) to the Headboard (A) use Bolt (F), Lock Washer (H) and Flat Washer (G). Turn the Allen Wrench (I) in Bolt (F)

-
- 3** Stick the Back Cover (J) on the back of the Headboard (A).



Cleaning & Care

Treat surface with care. Surface is resistant to scratches but is not scratch resistant. Clean surfaces with a dry or damp soft cloth. Do not use abrasive cleaners. Hardware may loosen over time. Periodically check that all connections are tight.