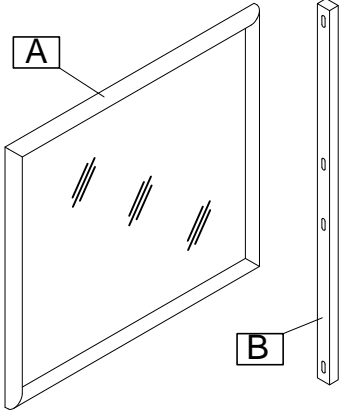


DORSEY MIRROR ASSEMBLY INSTRUCTIONS



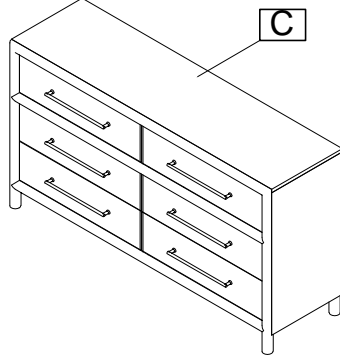
BOX #1

- A. DRESSER MIRROR 1 PC
- B. MIRROR SUPPORT 2 PCS
- * MIRROR HARDWARE PACK



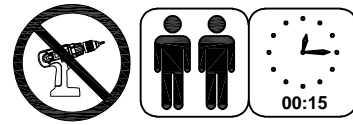
BOX #2

- C. DRESSER (SOLD SEPARATELY) 1PC



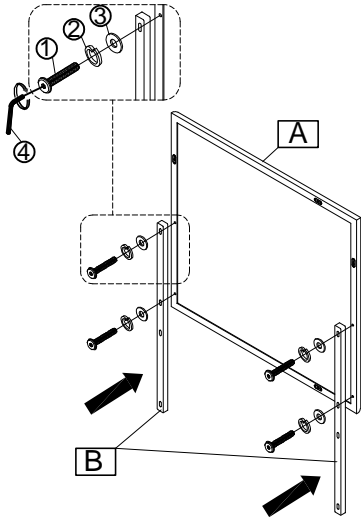
HARDWARE KIT PACKED IN BOX #1

No.	DESCRIPTION	IMAGE	QUANTITY
1	ALLEN BOLT (1/4"x50mm)		8 pcs
2	LOCK WASHER (5/16")		8 pcs
3	FLAT WASHER (1/4")		8 pcs
4	ALLEN KEY		1 pc

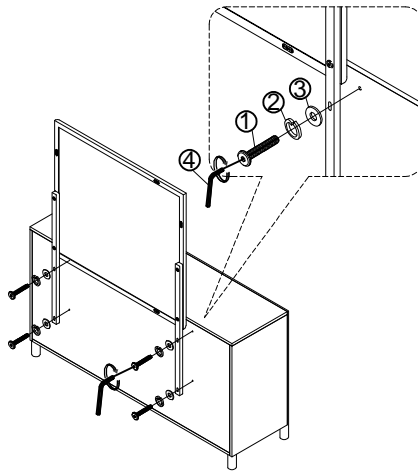


OPTION 1: DRESSER MOUNTING

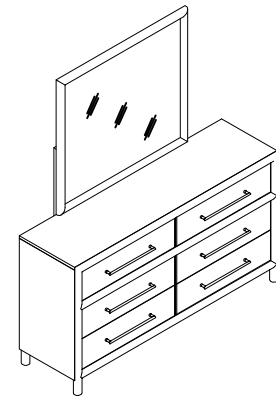
STEP #1:



STEP #2:



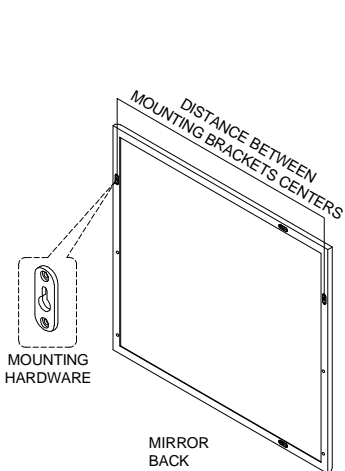
STEP #3:



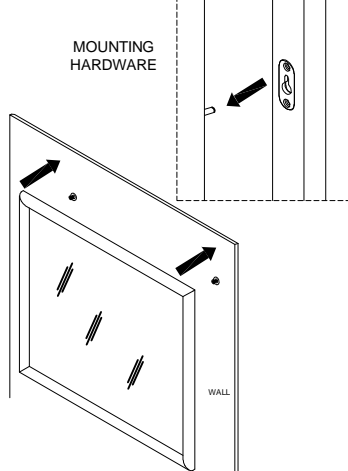
ASSEMBLY COMPLETE

OPTION 2: WALL MOUNTING

STEP #1:

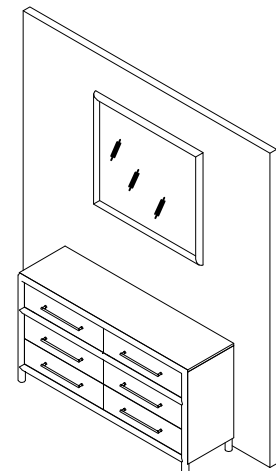


STEP #2:



* WALL MOUNTING HARDWARE NOT INCLUDED

STEP #3:



ASSEMBLY COMPLETE