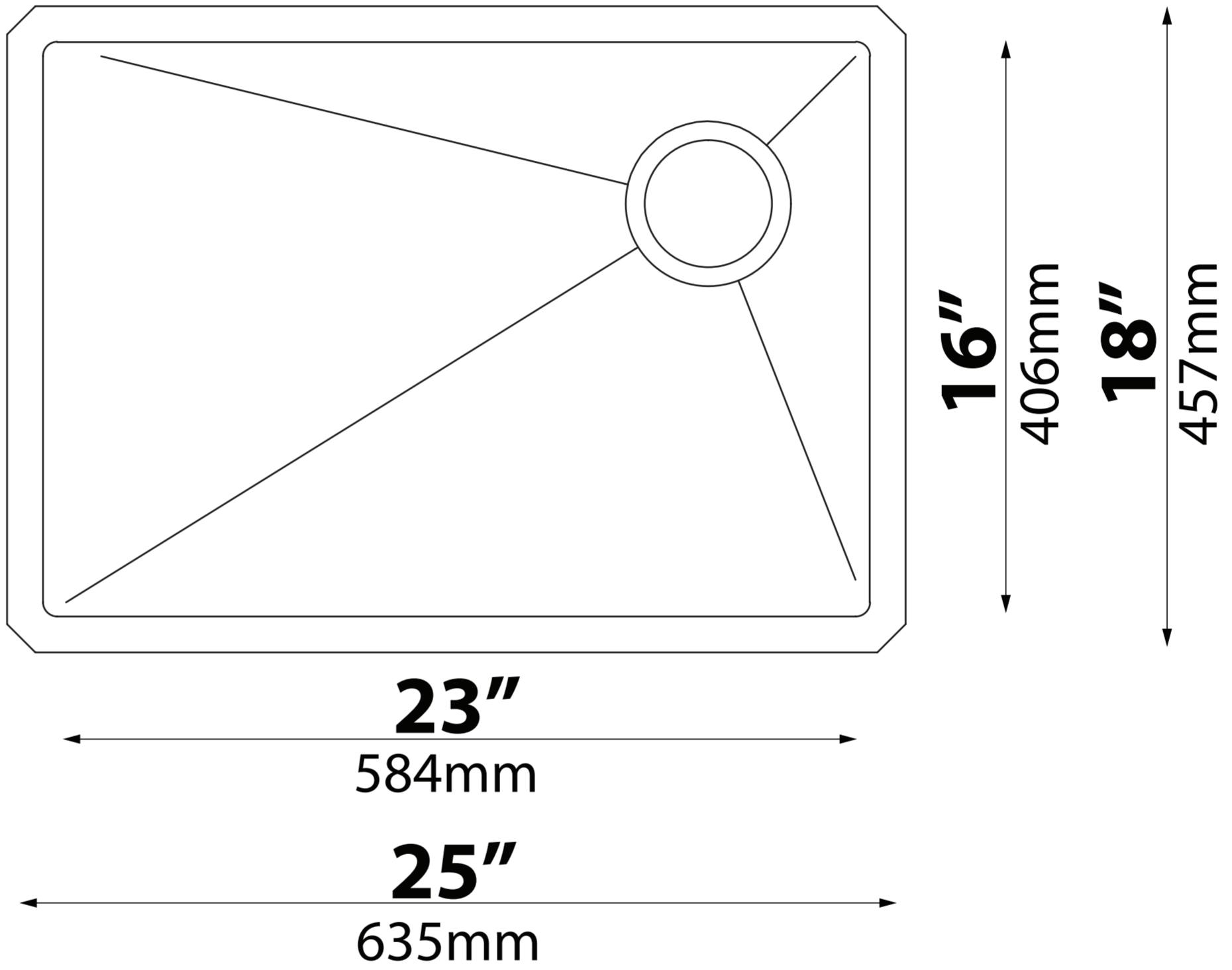




**Model No.  
KHU111-25**

Pro Hotline: 516.801.8955  
Customer Service: 800.775.0703



**NOTE:** Cutout template is provided as a guide **ONLY** and must be checked against actual sink to verify correct fit.

- Please cut along inner solid line for negative reveal 1/8"
- Please tear perforated edge for zero / flushed reveal
- Please use outer edge for positive reveal 3/8"