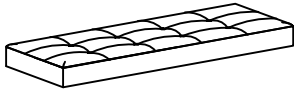


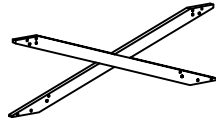
ASSEMBLY INSTRUCTION

E347C 48" X-BASE BENCH

A Seat Cushion **B** Side Frame **C** Support Panel **D** Bottom Panel



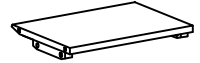
1pc



2pcs

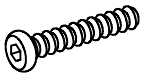


2pcs



2pcs

E Bolt
Ø1/4"x38mm



16pcs

F Flat Washer
Ø1/4"x16mm



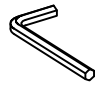
16pcs

G Lock Washer
Ø1/4"



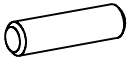
16pcs

H Allen Key
M4



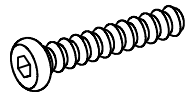
1pc

I Wood Dowel
Ø10x40mm



16pcs

J Bolt
Ø5/16"x38mm



4pcs

K Flat Washer
Ø5/16"x19mm



4pcs

L Lock Washer
Ø5/16"

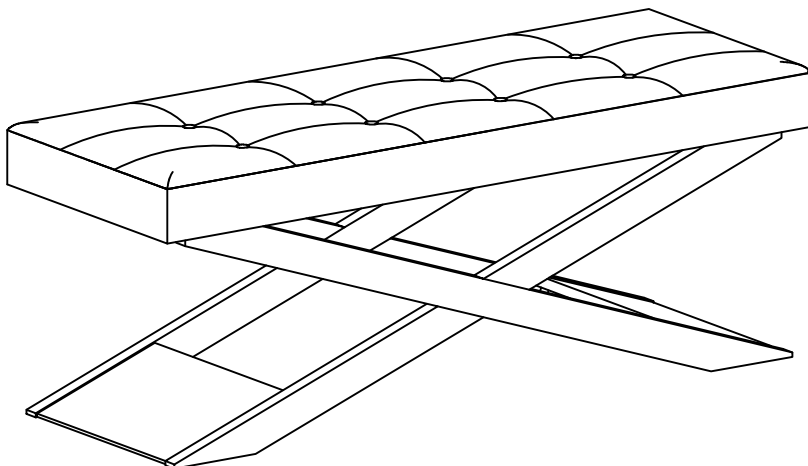


4pcs

M Allen Key
M5

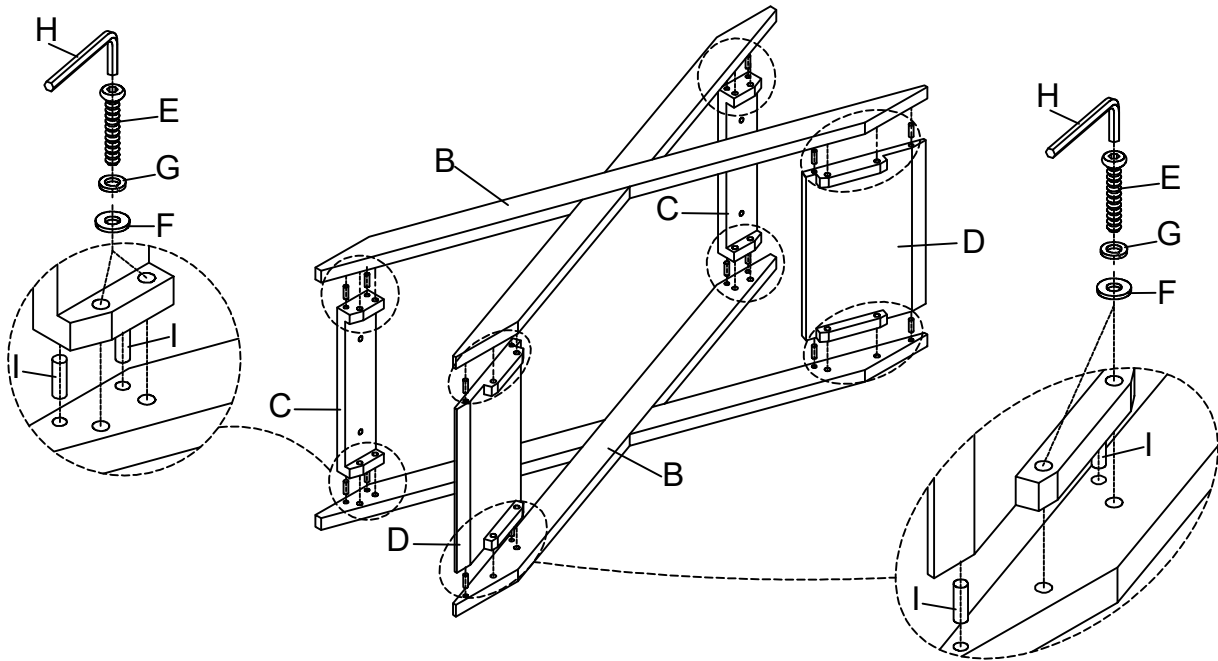


1pc

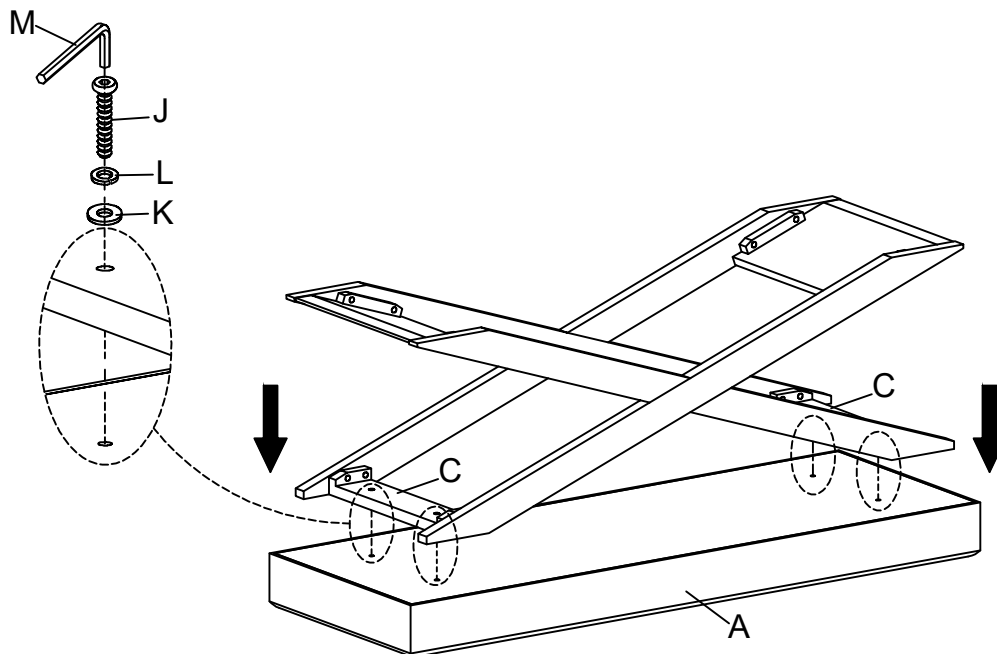


This page lists all the contents included in the box. Please take the time to identify the hardware as well as the individual components to this product. As you unpack and prepare for assembly, place the contents on a carpeted or padded area to protect them from damage.

- 1** Assemble Support Panel (C) and Bottom Panel (D) to Side Frame (B), using Bolt (E), Lock Washer (G), Flat Washer (F) and Wood Dowel (I) to lock by Allen Key (H) as below shown.



- 2** Assemble Support Panel (C) to Seat Cushion (A), using Bolt (J), Lock Washer (L) and Flat Washer (K) by Allen Key (M) as below shown.



Cleaning & Care

Treat surface with care. Surface is resistant to scratches but is not scratch resistant. Clean surfaces with a dry or damp soft cloth. Do not use abrasive cleaners. Hardware may loosen over time. Periodically check that all connections are tight.