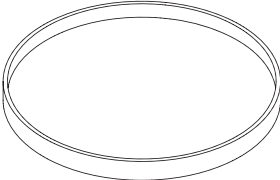


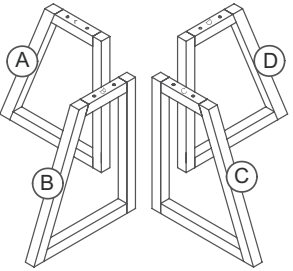




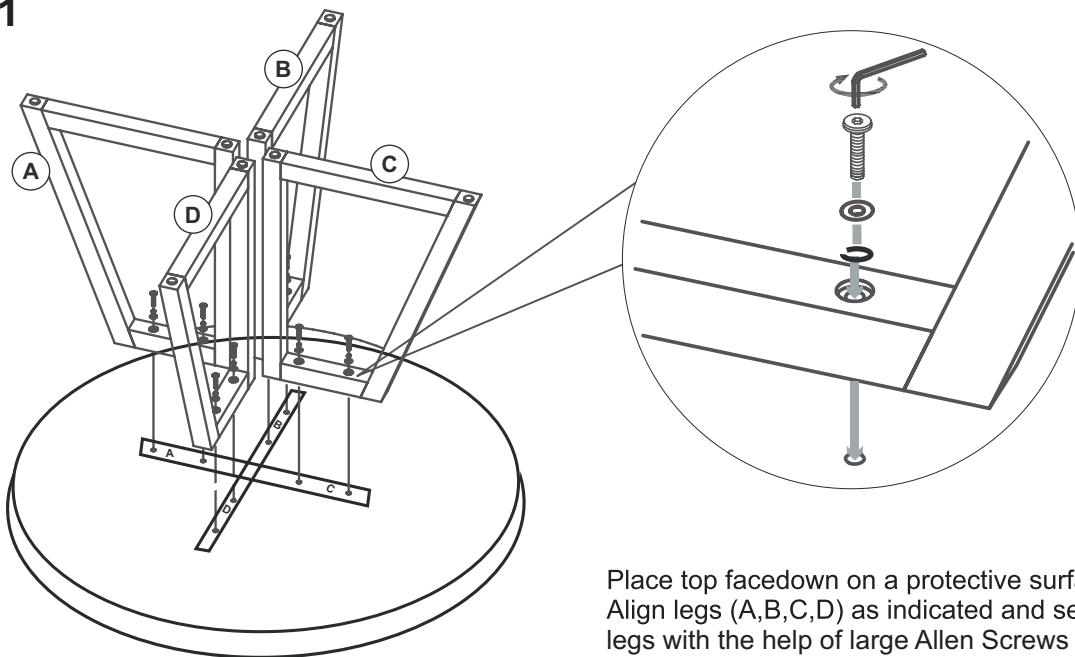


# ASSEMBLY INSTRUCTIONS

## AVERY ROUND COFFEE TABLE

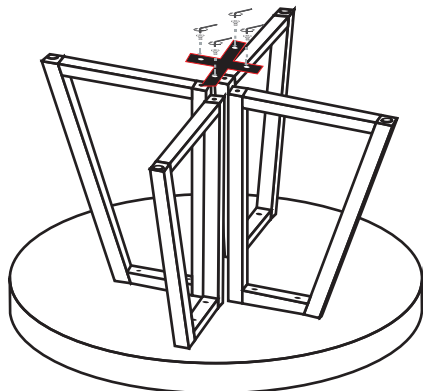
|  |  |   |   |
|--|--|---|---|
| <b>x1</b><br><br>Wood Top | <b>x4</b><br><br>Small Allen Screws | <b>x8</b><br><br>Large Allen Screws | <b>x4</b><br><br>Wood Legs |
|  | <b>x1</b><br><br>Metal "+"          | <b>x8</b><br><br>Lock Washers       |   |
|  |  | <b>x8</b><br><br>Washers            |   |
|  |  | <b>x1</b><br><br>Allen Key          |   |

### STEP-1



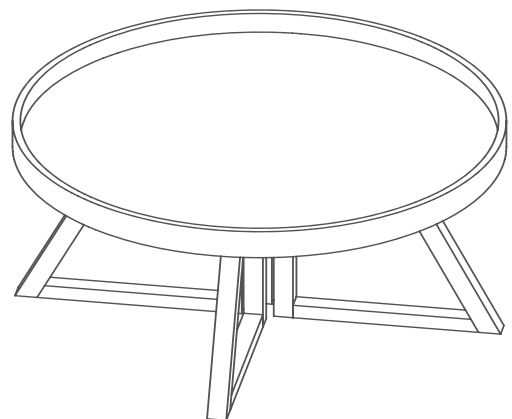
Place top facedown on a protective surface. Align legs (A,B,C,D) as indicated and secure the legs with the help of large Allen Screws & washers. Partially tighten the screws approx 50%.

### STEP-2



Fixed metal "+" on 4 legs as shown with the help of small Allen screws (no washer required). Ensure all screws are fully tightened.

### READY TO USE



Flip the table and adjust the levellers if needed to balance on oor.