



bestchoiceproducts



INSTRUCTION MANUAL

6V Compact Sewing Machine

! NOTICE

Please retain these instructions for future reference.

- Please read instructions carefully before installing or operating machine.
- Make sure to inspect the machine periodically to ensure it is in good condition.
- This product is not intended for use by persons (including children) with reduced physical, sensory or mental capabilities, or lack of experience and knowledge, unless they have been given supervision or instruction concerning use of the appliance by a person responsible for their safety.
- If any parts are missing, broken, damaged, or worn, stop using this item until repairs are made and/or factory replacement parts are installed.
- Do not use this item in a way inconsistent with the manufacturer's instructions as this could void the product warranty.

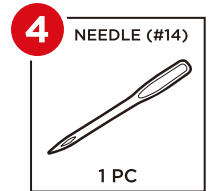
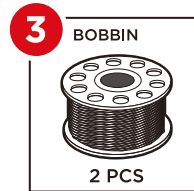
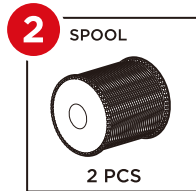
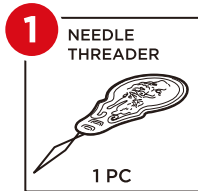
⚠ WARNING

- This machine is not a toy; it is not meant to be used by or near children.
- Never leave machine unattended while plugged in. Turn off and unplug when not in use.
- Keep machine away from direct sunlight and other sources of heat (stove, heater, etc.).
- Do not run power cord over sharp edges/corners or a hot surface.
- Do not close a door on the power cord as it could damage the cord.
- Do not open the main motor case of the machine. The mechanism has been factory adjusted.
- Do not submerge the unit or power cord in water or any other liquid.
- Do not operate machine with wet hands, without shoes, or while standing in water or on a wet surface.
- Do not touch the plug with wet hands.
- Always check the threading of the lockstitch before sewing a seam. Improper threading or placement of the bobbin will damage the machine.
- Gently guide the fabric as you sew. Do not pull fabric when sewing as it could break the needle and damage the machine.
- Do not sew clothing as it is being worn.
- Do not unplug the appliance by pulling on the power cord. Always grasp the plug firmly and pull straight out from the outlet.
- Do not touch needle or thread machine while unit has power.
- Unplug or remove power supply (including batteries) when changing needle or threading machine.
- Remove batteries before storage or if machine is unused for a long period of time.

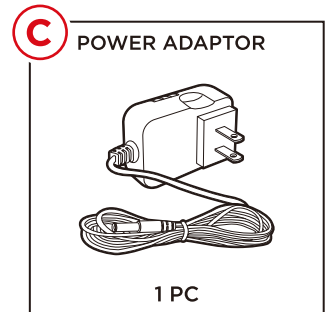
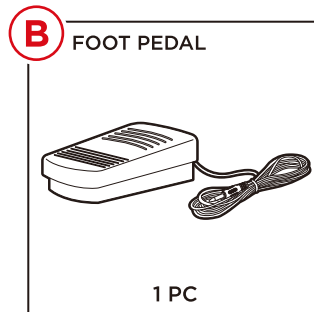
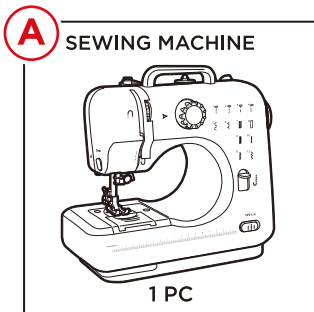
SPECIFICATIONS

Power	7.2 watts
Input	100-240V-50/60Hz
Output	DC 6V 1200mA / 4 AA batteries
Stitch patterns	12
Stitch length	2mm
Max sewing speed	330 SPM (stitches/min.)
Max thickness	2.5mm

ACCESSORIES



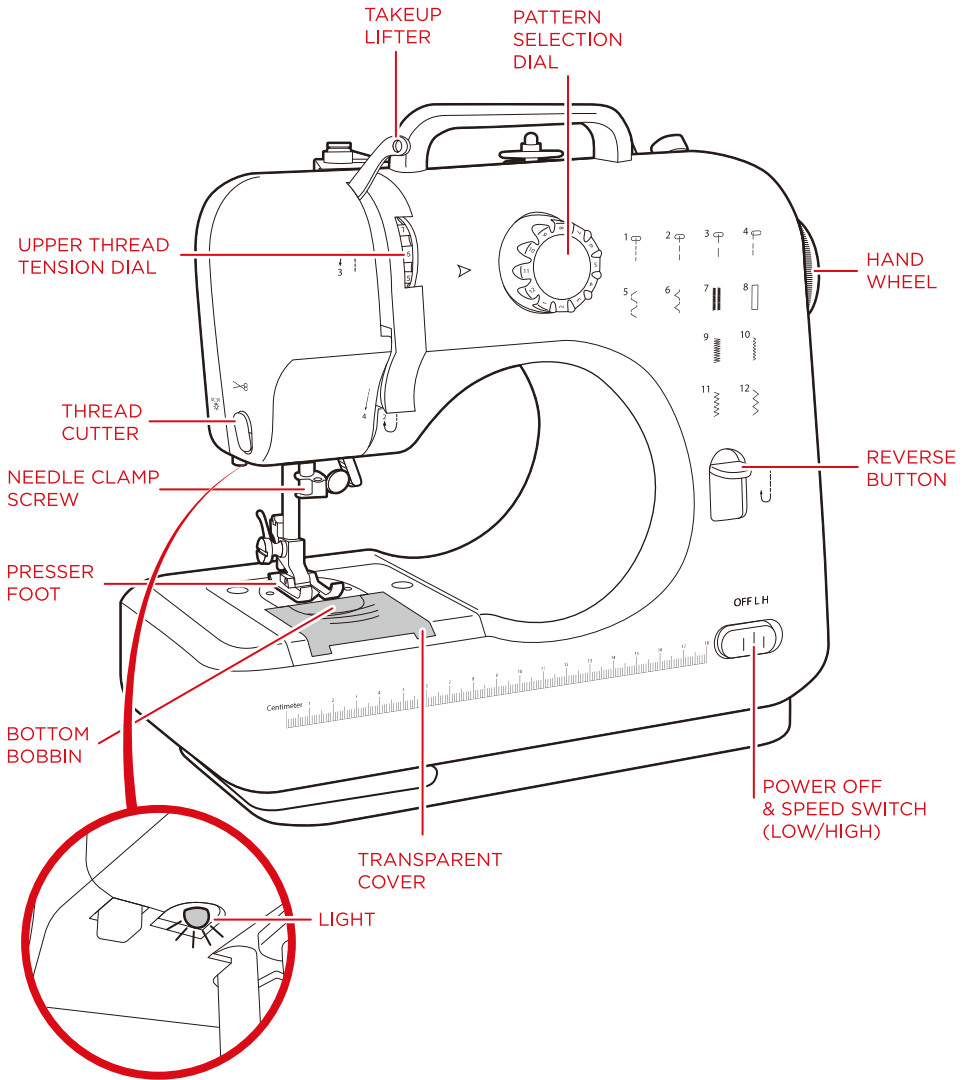
PARTS



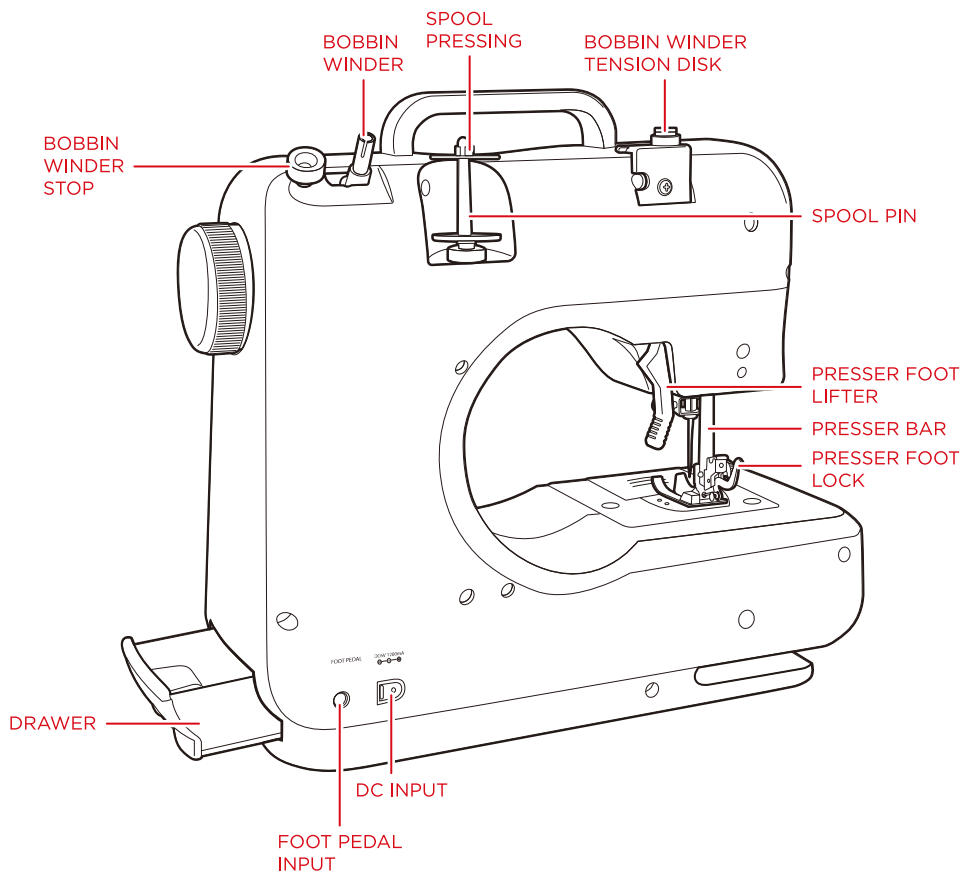
MAIN DIAGRAM

UPPER THREAD TENSION DIAL: Higher number indicates a tighter upper thread

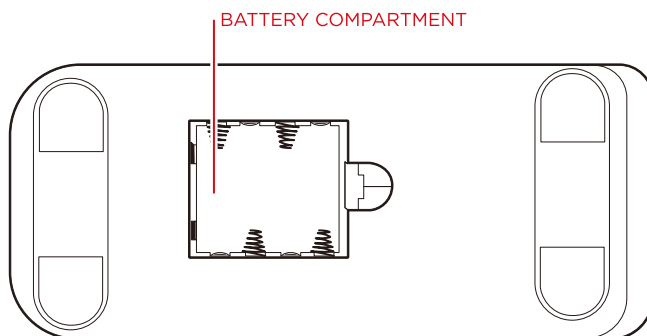
REVERSE BUTTON: Only works with straight stitches (stitches 1 to 4)



MAIN DIAGRAM



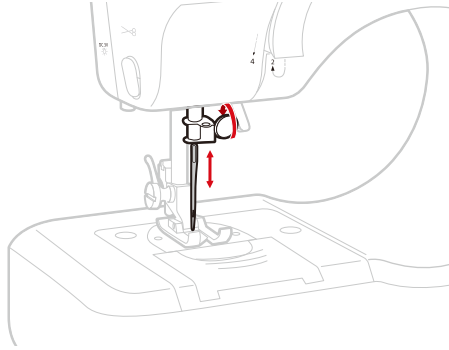
UNDER



PREPARING MACHINE

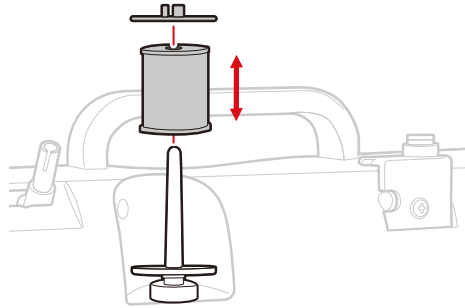
1

Position the flat surface of the needle towards the presser bar, then insert the needle. Tighten the needle clamp to secure the needle.



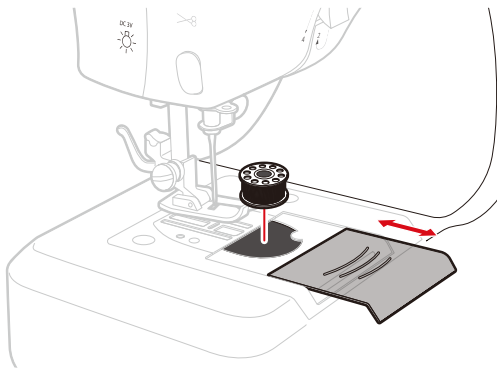
2

Remove the spool pressing, then place a spool on the spool pin.



3

Remove the transparent cover, then place the bottom bobbin in the bobbin holder.

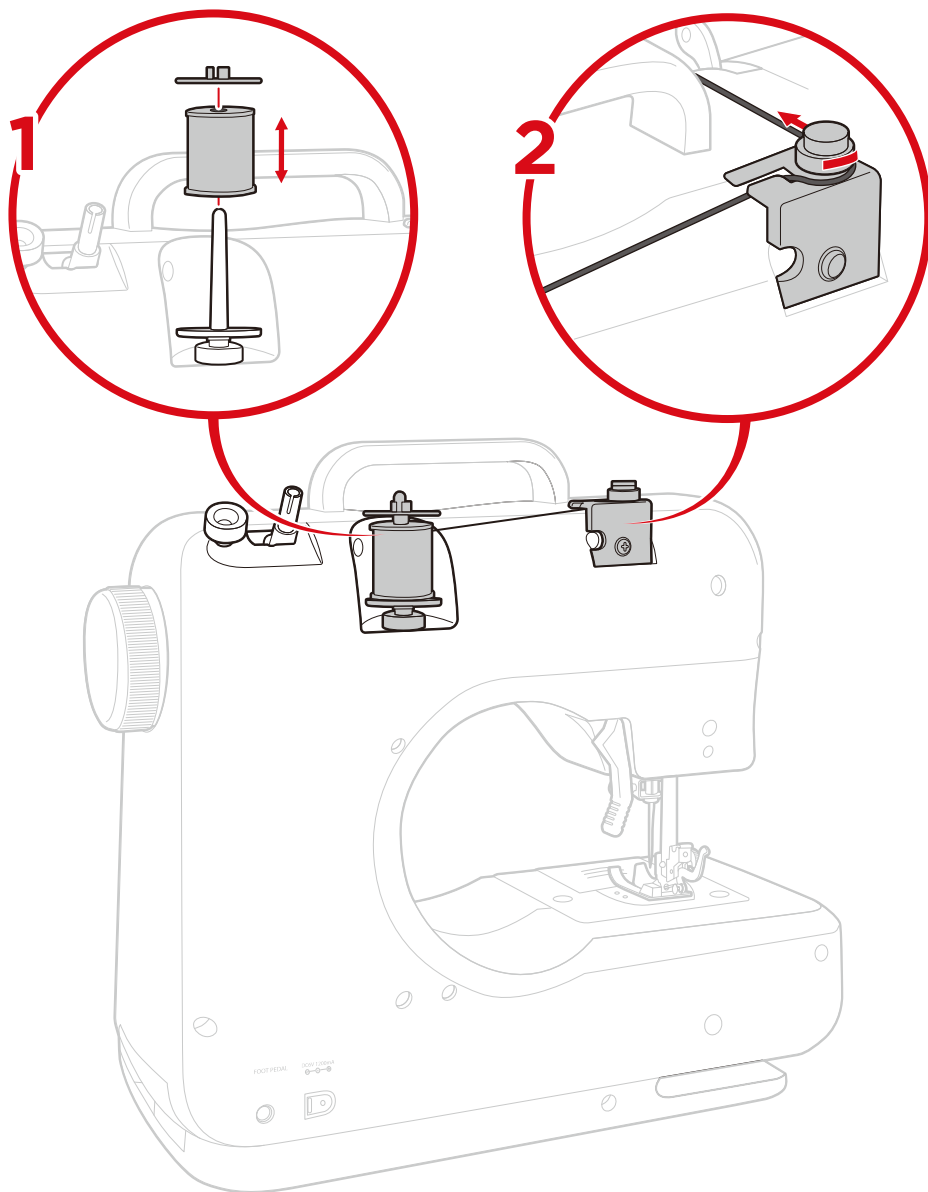


NOTE: Machine is pre-threaded. Please note the threading carefully before replacing the bobbin, then follow steps to re-thread the machine.

THEADING MACHINE

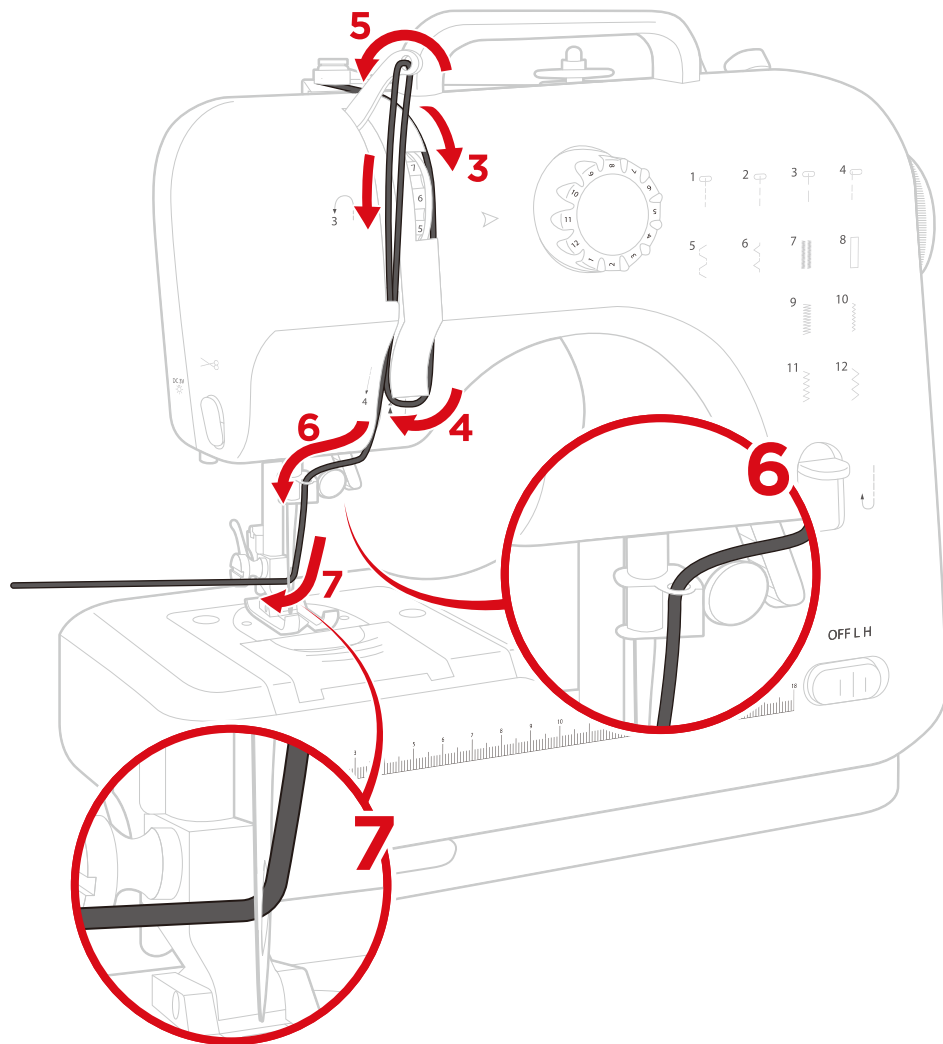
NOTE: It is very important that the machine is threaded correctly. Machine will not function properly if threaded incorrectly.

1. Install the top spool.
2. Route the thread through the bobbin winder tension disk.



THREADING MACHINE

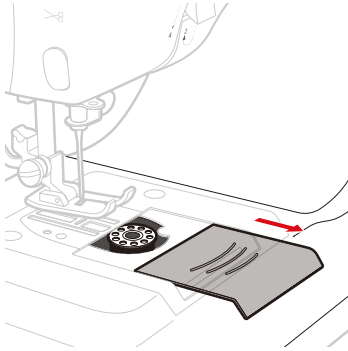
3. Route it through the crevice next to the thread tension dial.
4. Hook it around the thread compression tab.
5. Thread it through the take-up lever from right to left.
6. Route it through the threading hole.
7. Thread the needle eye from front to back.



DRAWING UP BOTTOM THREAD

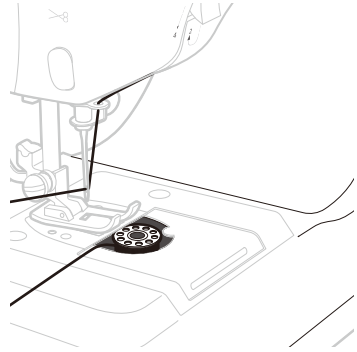
1

Remove the transparent cover.



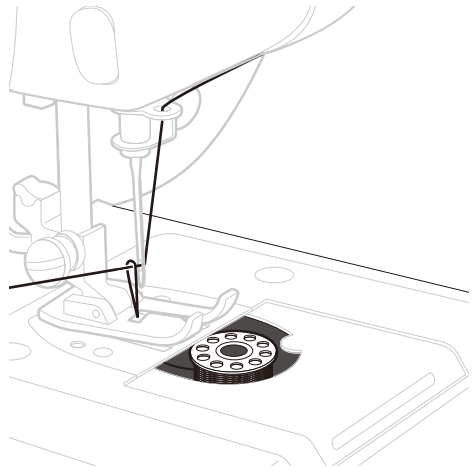
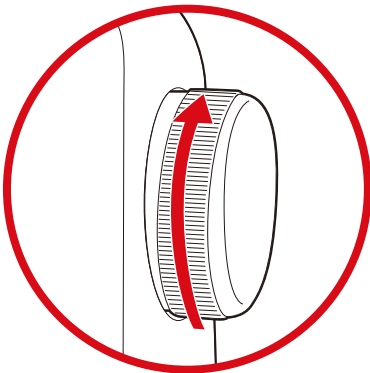
2

Pull the thread out from the bottom bobbin approximately 4 inches. Hold the upper thread from the needle eye.



3

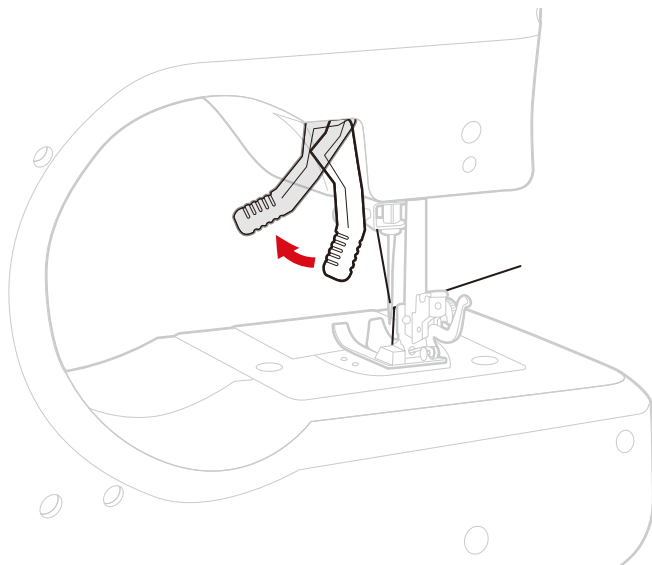
Turn the hand wheel counterclockwise to draw up the bottom thread.



DRAWING UP BOTTOM THREAD

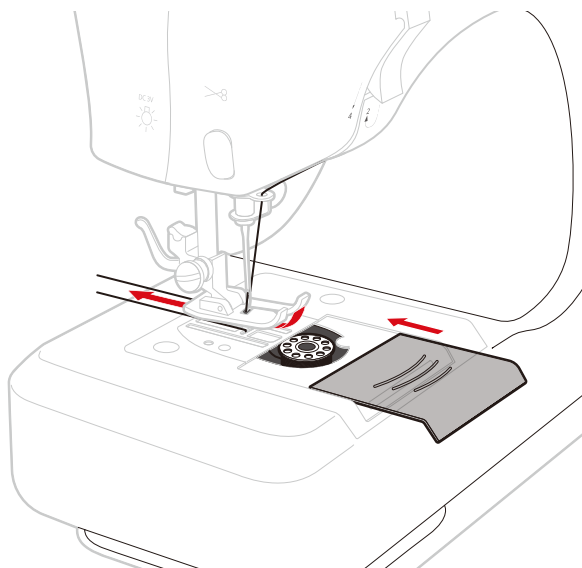
4

Raise the pressure foot lifter and position the top and bottom thread under the presser foot.



5

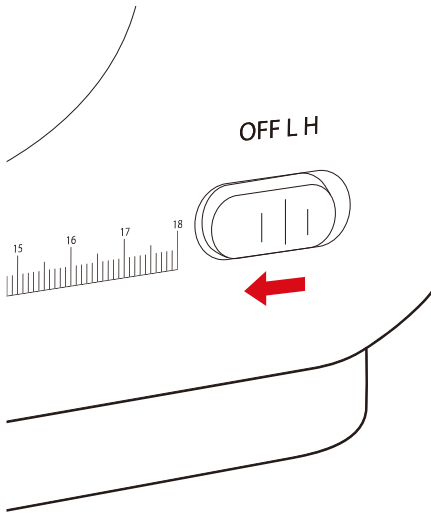
Pull both threads out 4 inches. Replace the transparent cover.



USING FOOT PEDAL

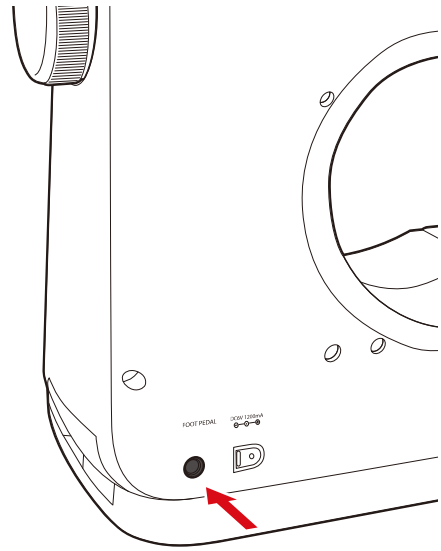
1

Switch the power to the OFF position.



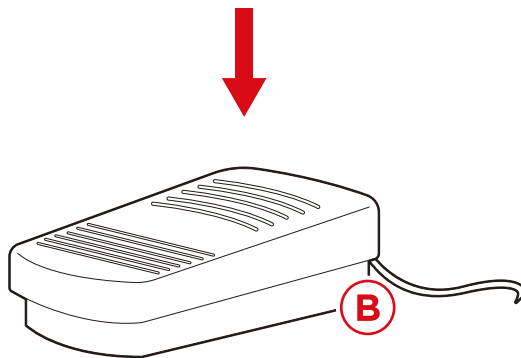
2

Plug the part B foot pedal into the foot pedal input.



3

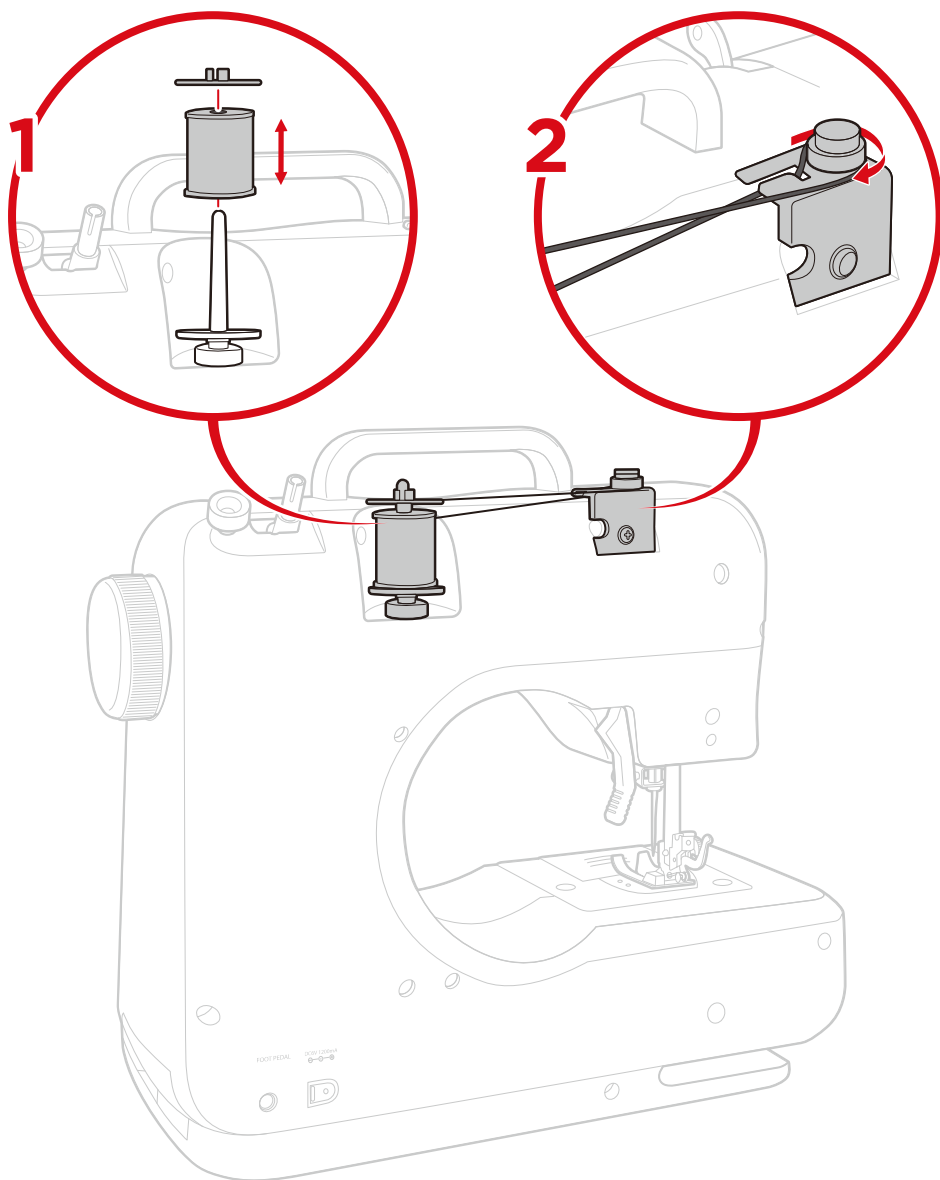
Press the foot pedal to begin sewing. Press/release your foot to adjust the sewing speed.



BOBBIN WINDING

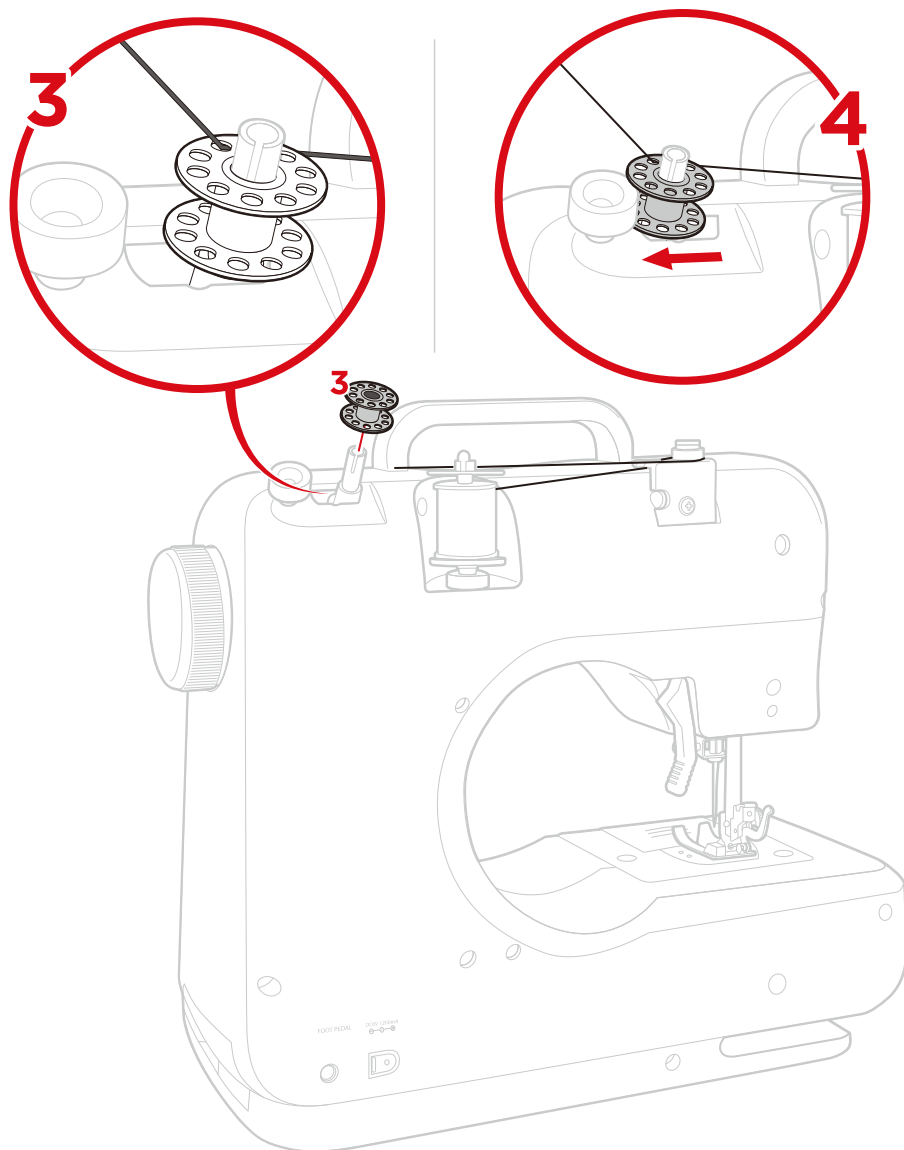
NOTE: Make sure you remove the bottom bobbin from the machine before winding another bobbin.

1. Place a spool on the spool pin.
2. Route the thread through the bobbin winder tension disk.



BOBBIN WINDING

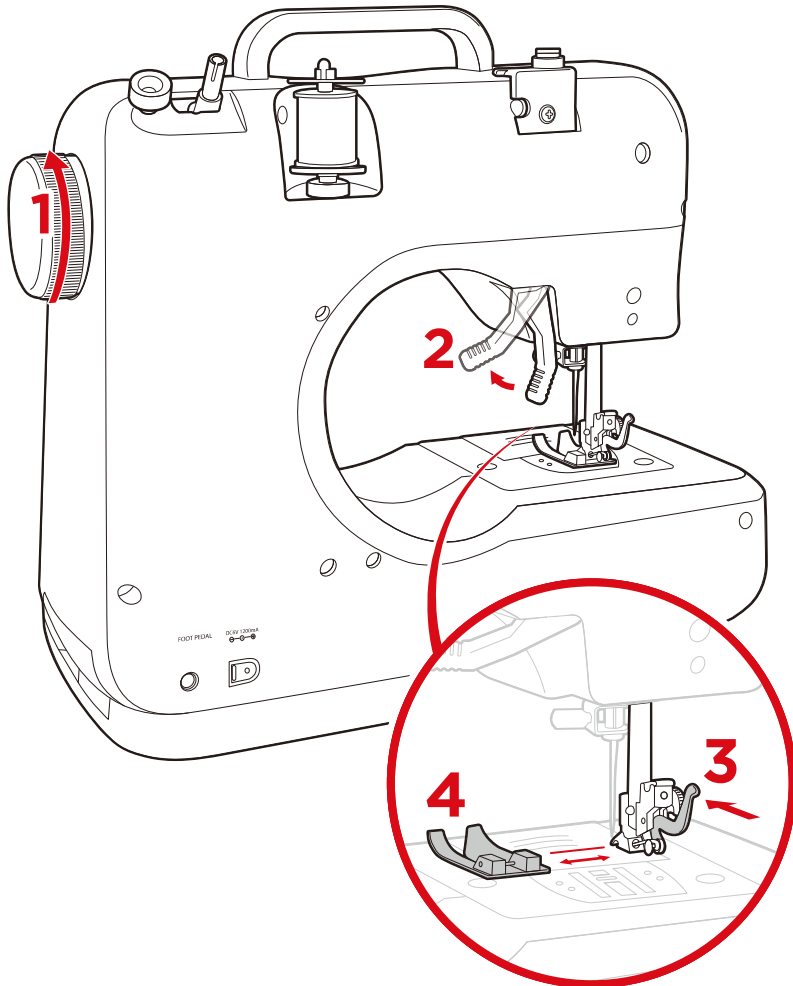
3. Place a bobbin on the bobbin winder pin. Route the thread through a hole in the bobbin.
4. Push the bobbin to the left until it presses against the bobbin winder stop.
5. Switch machine on to begin winding.
6. Switch machine off after the desired amount of thread has wind around the bobbin.
7. Push the bobbin to the right, remove the bobbin, and cut the thread.



CHANGING PRESSER FOOT

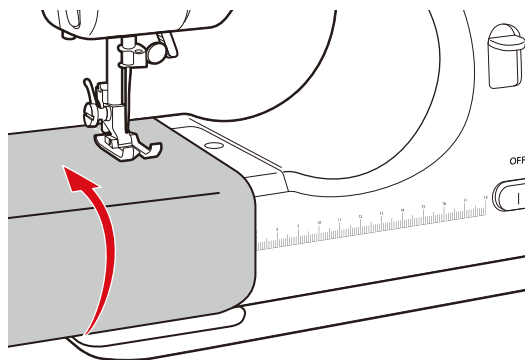
NOTICE

- Switch power off, disconnect the power adaptor, and remove the foot pedal before replacing the presser foot.
 - Make sure machine is on a flat and stable surface.
 - Keep hands and fingers away from the needle and presser foot to avoid injury.
1. Turn hand wheel counterclockwise until the needle is at its highest position.
 2. Raise the presser foot lifter.
 3. Press the presser foot lock to release the presser foot.
 4. Place a new presser foot (not included) under the designated slot, then lower the presser foot lifter to lock it in place.

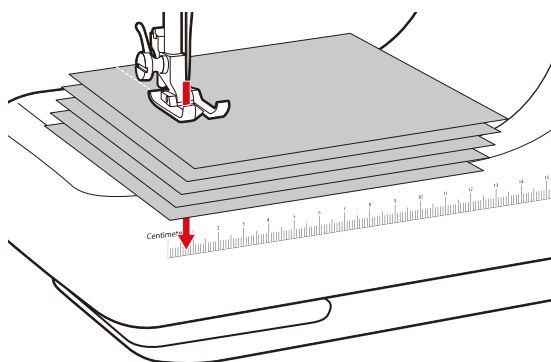


FUNCTIONS

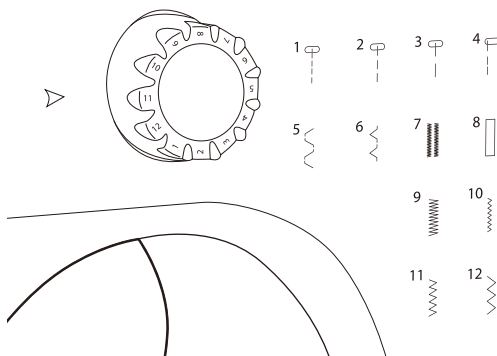
SLEEVE SLOT: Convenient slot allows you to easily sew sleeves or leg openings.



5-LAYER STITCH: Machine can sew through 5 layers at a time.

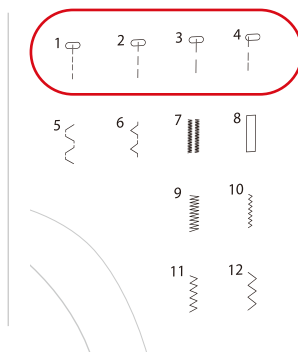
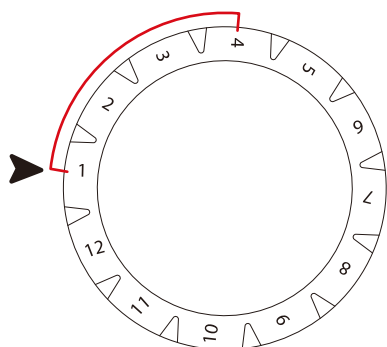


12 STICH OPTIONS:

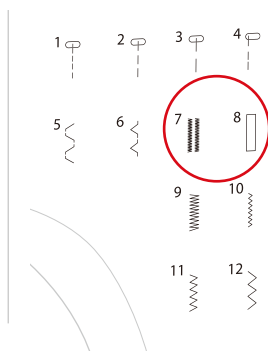
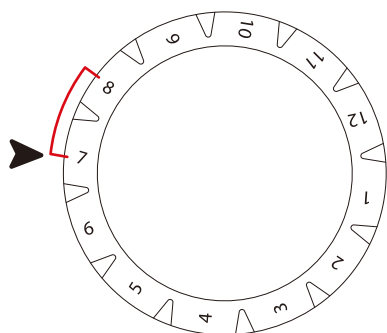


FUNCTIONS

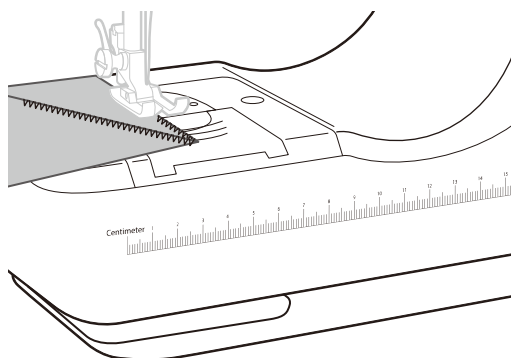
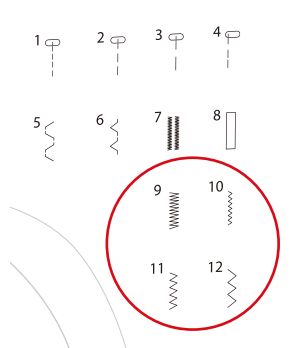
ADJUSTABLE NEEDLE DISTANCE: Use stitches 1 to 4 to vary needle distance.



BUTTONHOLING: Use stitches 7 and 8 to sew buttonholes.

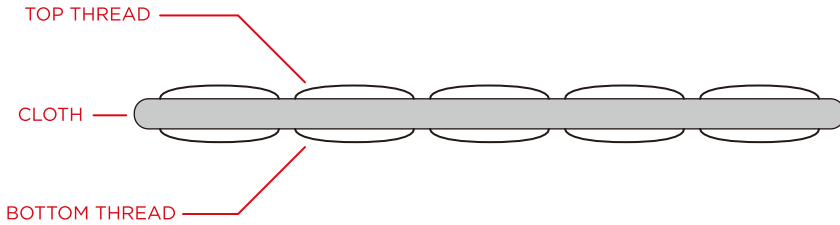


OVERLOCK: Use stitches 9 to 12 to easily overlock.



ADJUSTING STITCHING

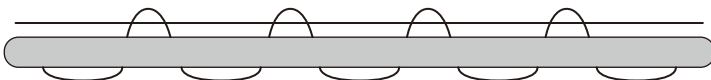
Correct stitching should be neat; the top and bottom threading should be even.



If the bottom threading looks like a straight line, it means the top threading is too loose. Increase tension with the upper thread tension dial until stitching returns to normal



If the top threading looks like a straight line, it means the top threading is too tight. Decrease tension with the upper thread tension dial until stitching returns to normal.



SEWING DIFFERENT FABRIC TYPES

Fabric Type/Thickness	Cotton/Linen	Silk/Wool	Polyester	Elastic
Regular	Easy	Easy	Easy	Moderate
Thick	Easy	Easy	Easy	Moderate
Thin	Easy	Difficult	Difficult	Difficult
Hard(jeans, canvas, etc.)	Easy	Easy	Easy	Moderate
Soft(towel duster fabric, etc.)	Difficult	Difficult	Difficult	Difficult

TROUBLESHOOTING

Problem	Reason	Solution
No Power/runs slowly	Batteries run out or installed incorrectly	Replace or reinstall batteries
	Mixing old and new batteries	Replace with new batteries
	Adaptor or socket not connected	Ensure connections are secure
Thread jumping	Fabric too slippery or thin	Place newspaper on top and bottom of fabric when sewing, then remove paper after sewing
	Needle eye not in middle	Replace needle
	Thread too thick	Use thinner thread
	Needle and hook tip misaligned	Realign needle and hook tip (see Adjusting Hook Line Action section)
	Needle bent or installed incorrectly	Replace or reinstall needle
	Presser foot loose	Tighten pressure foot lock
Bottom thread cannot be drawn up	Machine not threaded correctly	Thread machine correctly
	Bottom bobbin out of thread	Replace bottom bobbin
	Needle and hook tip misaligned	Realign needle and hook tip (see Adjusting Hook Line Action section)

TROUBLESHOOTING

Problem	Reason	Solution
Thread continues to break	Machine not threaded correctly, or bottom bobbin jammed	Thread machine correctly
	Needle bent	Replace needle
	Needle touches the hook tip	Replace needle or realign needle and hook tip (see adjusting Hook Line Action section)
	Burr around the needle eye	Replace needle
	Needle installed or positioned incorrectly	Reinstall the needle
	Burr on thread presser sheet, thread guiding spring, thread pulling rod, or transfer interface points	Polish with fine sandpaper to make smooth
	Needle and sewing thread are not appropriate for fabric	Choose proper needle and thread for different fabric types
Poor bottom thread	Upper thread seized up	Remove spool pressing, adjust and smooth out thread
	Upper thread too tight or bottom thread too loose	Adjust upper thread tension dial
	Needle is bent	Replace needle
Machine stops, cannot turn the hand wheel	Bottom bobbin seized up	Replace bottom bobbin

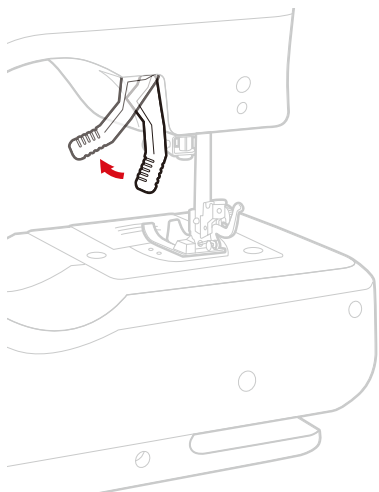
WARNINGS REGARDING BATTERIES

- Do not mix alkaline, standard (carbon zinc) and rechargeable (nickel hydride) batteries.
- Do not mix old and new batteries.
- Non-rechargeable batteries should not be charged.
- Rechargeable batteries should be charged under adult supervision only.
- Exhausted batteries should be removed.
- The supply terminals should not be short-circuited.
- Do not put batteries next to or in a heat source (fire, electronic heating device, etc.).
- Do not hit batteries against hard objects.
- Do not submerge batteries in water.
- Batteries should be inserted with the correct polarity.

ADJUSTING HOOK LINE ACTION

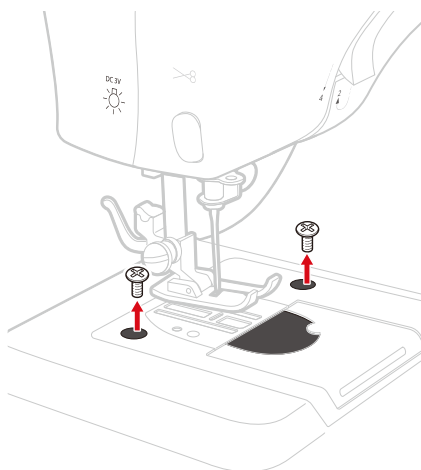
1

Raise the presser foot lifter.



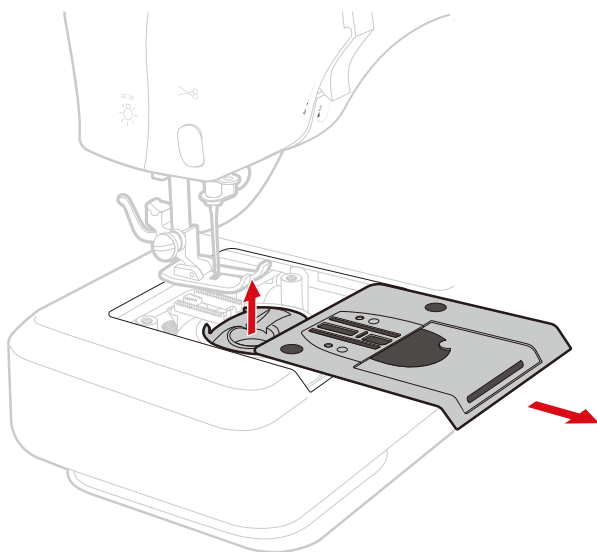
2

Use a screwdriver to remove the screws on the cover plate.



3

Remove the cover plate and bobbin holder

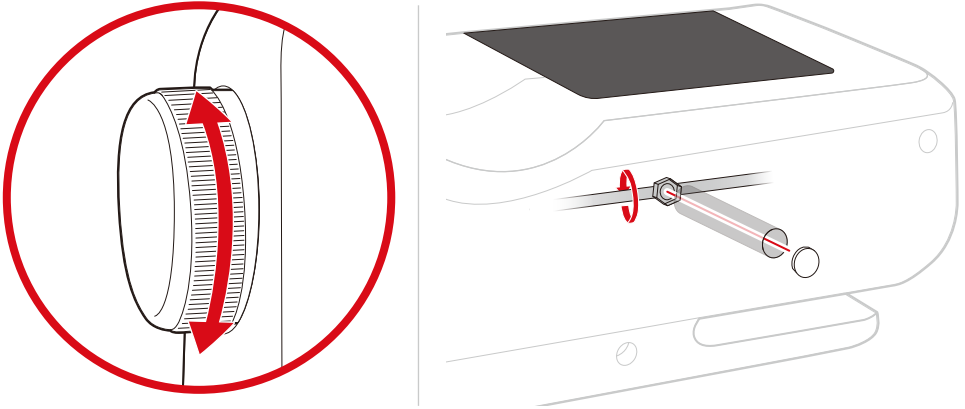


ADJUSTING HOOK LINE ACTION

4

Remove the screw plug on the other side of the machine.

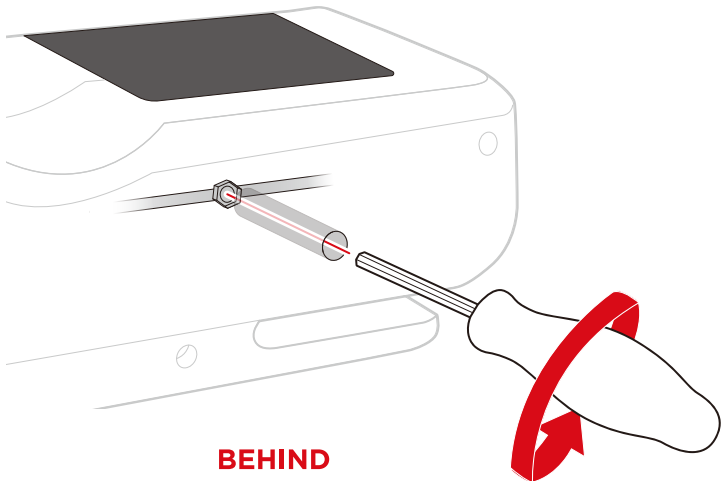
While looking into the screw hole, turn the hand wheel until the hex screw is aligned with the screw hole.



BEHIND

5

Insert a hex screwdriver into the hex screw and turn one rotation counterclockwise to loosen the screw.

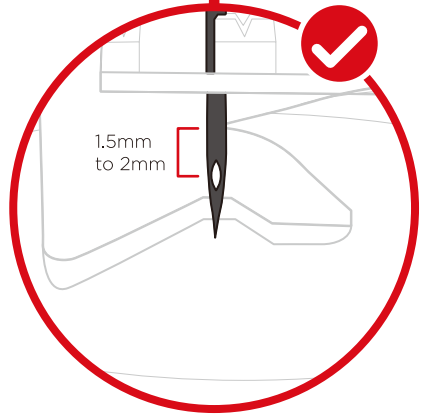
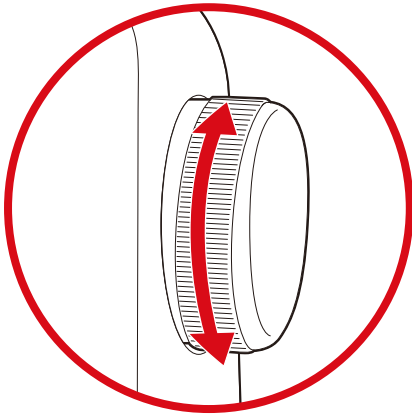
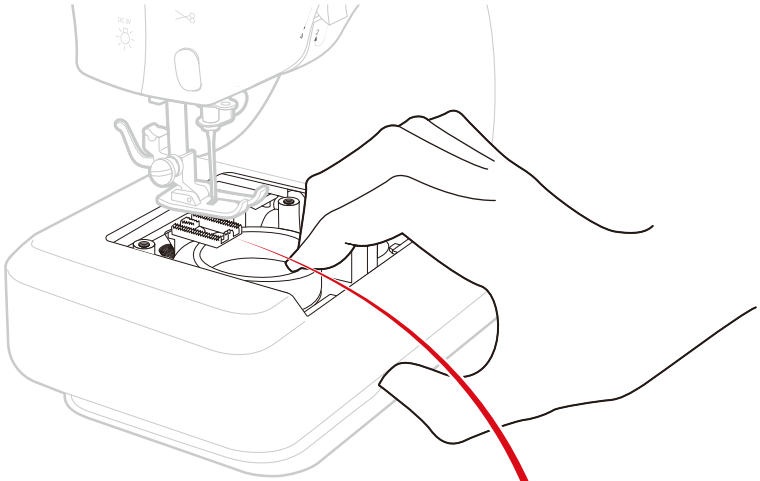


BEHIND

ADJUSTING HOOK LINE ACTION

6

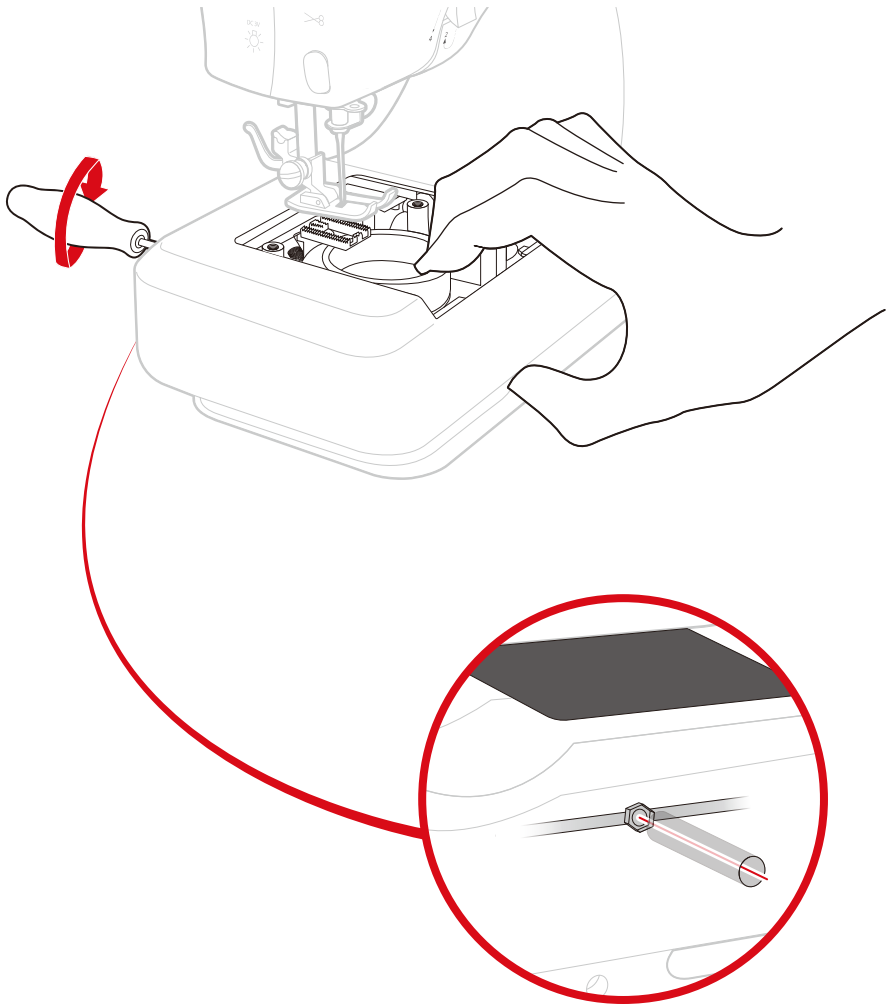
Hold the hook plate in place and turn the hand wheel until the hook tip is 1.5mm to 2mm above the needle eye.



ADJUSTING HOOK LINE ACTION

7

After adjusting to the right position, hold the hook plate in place and tighten the hex screw. Reassemble the machine.



BEHIND



HELP CENTER



Question about your product? We're here to help. Visit us at:

help.bestchoiceproducts.com



Chat Support



Product Inquiry



Orders FAQ



Product Assembly



Returns & Refunds

PRODUCT WARRANTY INFORMATION

All items can be returned for any reason within 60 days of the receipt and will receive a full refund as long as the item is returned in its original product packaging and all accessories from its original shipment are included. All returned items will receive a full refund back to the original payment method. All returned items will not be charged a re-stocking fee.

All returned items require an RA (Return Authorization) number, which can only be provided by a Best Choice Products Customer Service Representative when the return request is submitted. Items received without an RA may not be accepted or may increase your return processing time. Once an item has been received by Best Choice Products, refunds or replacements will be processed within 5 business days.

All returns must be shipped back to the Best Choice Products Return Center at the customer's expense. If the reason for return is a result of an error by Best Choice Products then Best Choice Products will provide a pre-paid shipping label via email. Boxes for return shipping will not be provided by Best Choice Products, and is the customer's responsibility to either use the original shipping boxes or purchase new boxes.

Pictures may be required for some returns to ensure an item is not damaged prior to its return. Items returned are not considered undamaged until they are received by Best Choice Products and verified as such. All damages to items are the customer's responsibility until the item has been received by and acknowledge by Best Choice Products as undamaged.



WARNING

Manufacturer and seller expressly disclaim any and all liability for personal injury, property damage or loss, whether direct, indirect, or incidental, resulting from the incorrect attachment, improper use, inadequate maintenance, or neglect of this product.