
CONTENTS

Parts - **2**
Position the Vanity - **3**
Level the Vanity - **3**
Secure the Vanity - **4**
Drawer Removal / Installation - **5**
Drawer Divider Installation - **5**
Drawer Adjustment - **6**
Helden Installation Instructions - **7**
Care and Maintenance - **12**
Warranty - **12**

GENERAL INFORMATION

This instruction manual contains information on how to install a Craft Series or Curated Bath Vanity. This series comes in various sizes.

These vanities need special site preparation. Do not install vanities until all framing and plumbing rough-ins have been completed and the wall surface has been finished. We recommend using the services of a professional installer. Observe all local building codes.

Save these instructions for future use and reference. An improper installation voids the warranty. Installed vanities cannot be returned.

If you experience any problems with your Robern product, contact your dealer or Robern directly.

NOTES

NOTICE: Consult professional help if you are not familiar with installing bathroom cabinetry and working with associated plumbing hardware and tools. After safely unpacking the vanity and hardware, make sure all parts are present. If any part is missing and/or damaged, stop and do not attempt to assemble the product. If you experience any problems with your Robern product, contact your dealer or Robern directly.

NOTICE: Risk of product damage. When moving the vanity, do not slide or side-load the legs.

- Observe all local building codes.
- The appearance of your vanity may differ from the illustrations in this guide. The instructions still apply.

TOOLS



[Check the dimensions of your vanity before you begin.](#)

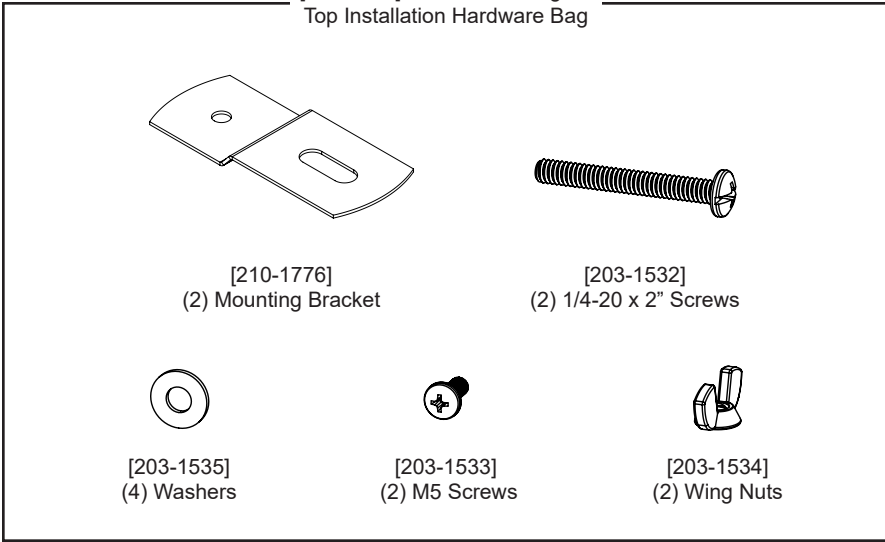
Scan the QR code to find the specification sheet for your vanity.



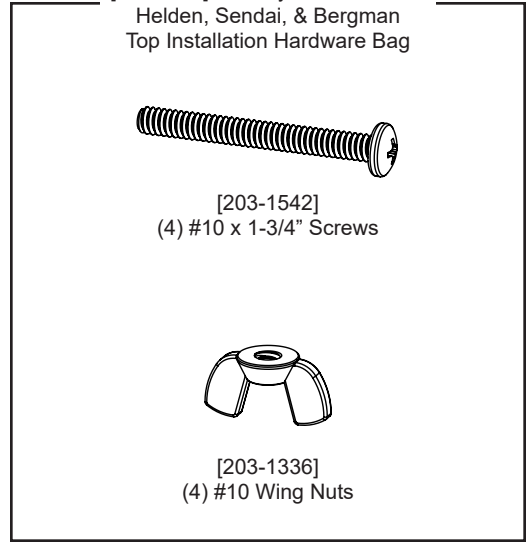
PARTS

Depending on installation not all parts will be used.

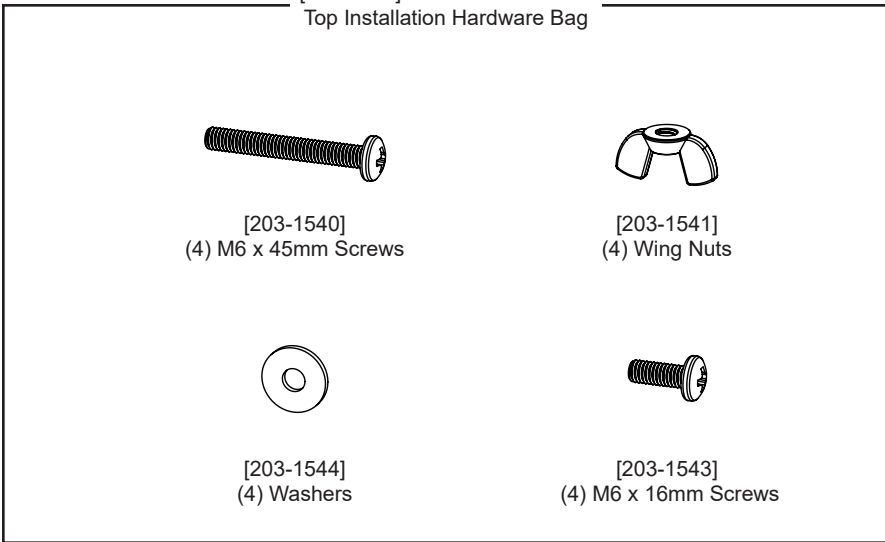
[216-1220] Bodo & Skaarsgard
Top Installation Hardware Bag



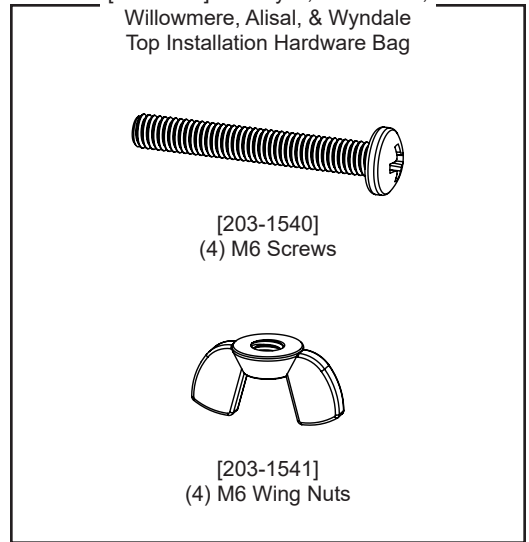
[216-1119] Mackey, Chestnut Hill,
Helden, Sendai, & Bergman
Top Installation Hardware Bag



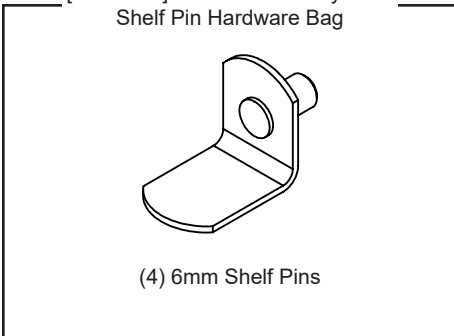
[216-1225] Claudette & Cornell
Top Installation Hardware Bag



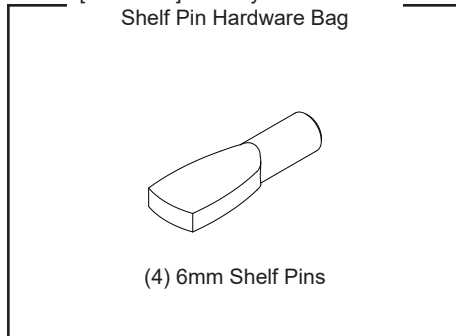
[216-1224] Stanwyck, Rosebrook,
Willowmere, Alisal, & Wyndale
Top Installation Hardware Bag



[216-1238] Willowmere & Wyndale
Shelf Pin Hardware Bag



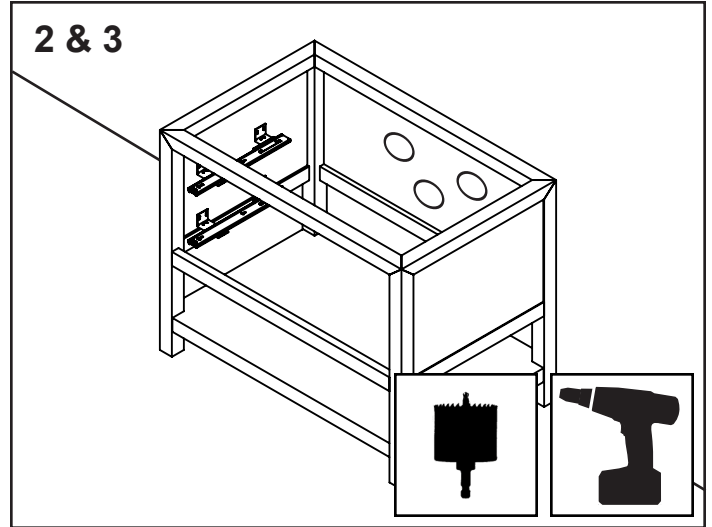
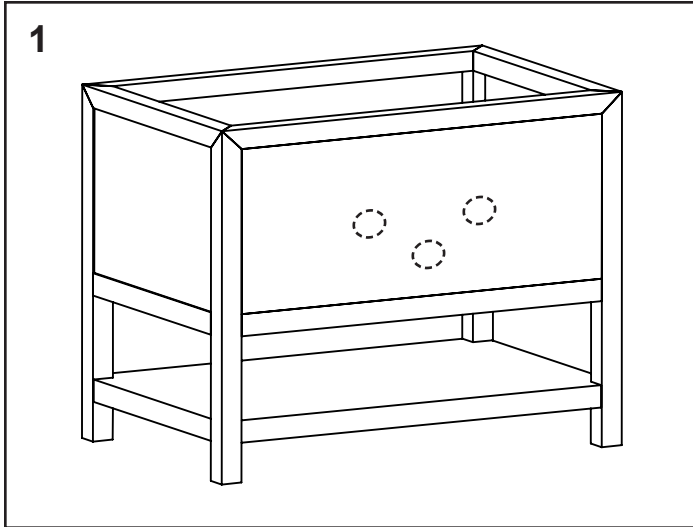
[216-1241] Mackey & Rosebrook
Shelf Pin Hardware Bag



POSITION THE VANITY

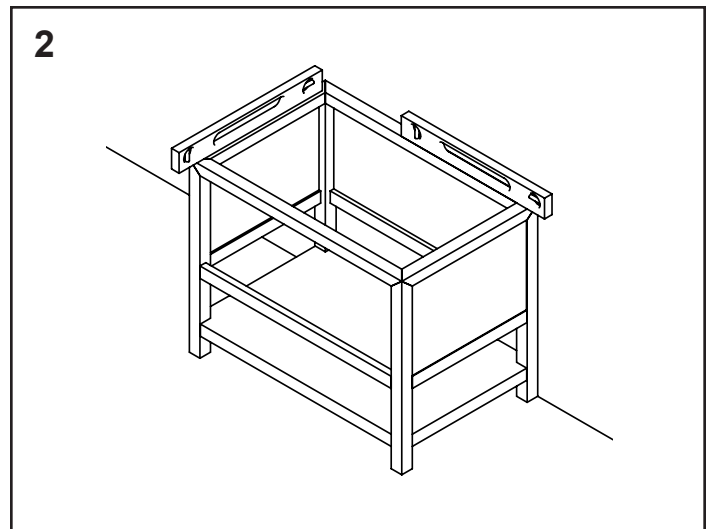
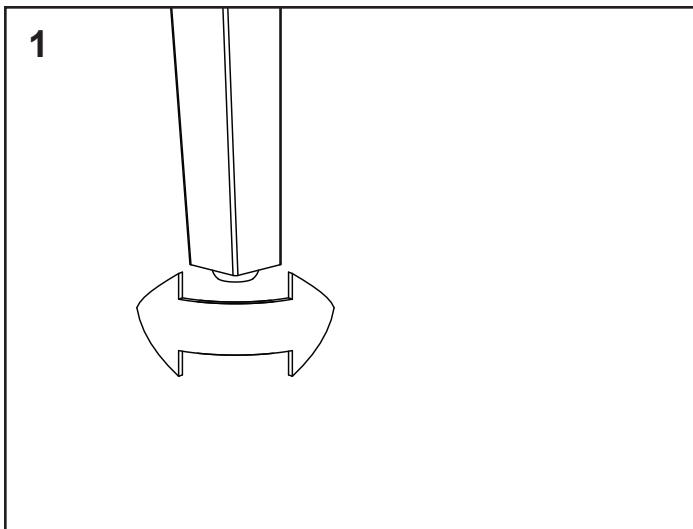
BEFORE STARTING: Remove any drawers and set aside in a secure location (see page 5 for instructions).

1. Measure and mark plumbing stub out locations on the back of the vanity.
2. DRILLING FROM THE INSIDE OF THE VANITY TOWARD THE BACK, use a hole saw to cut out the marked locations.
3. Slide the vanity into place and tight against the wall.



LEVEL THE VANITY

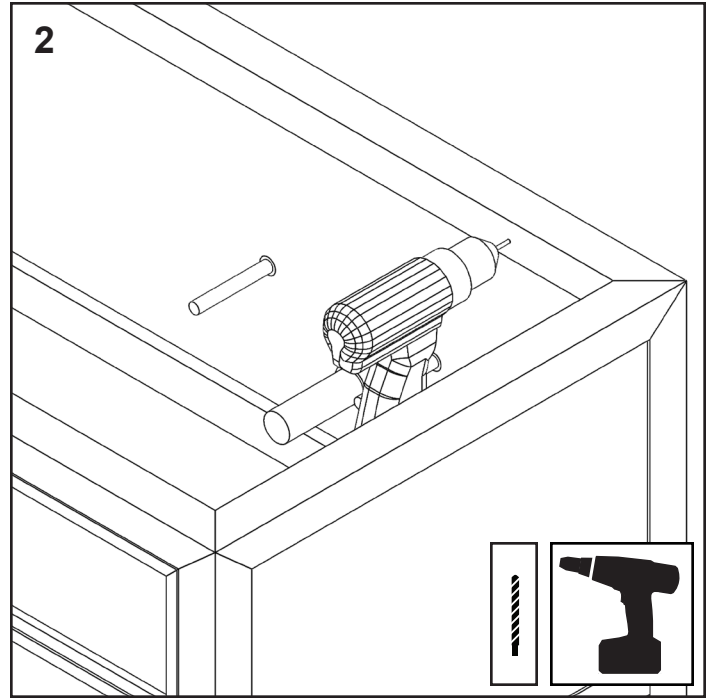
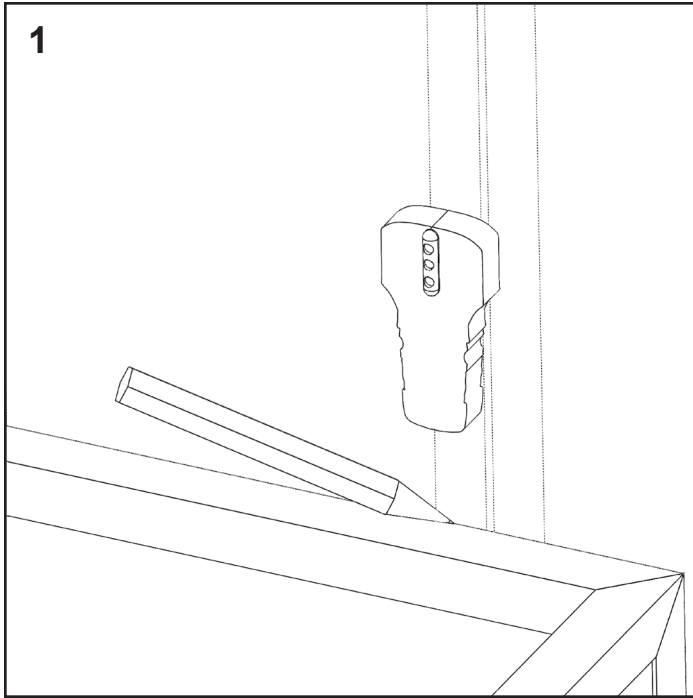
1. Rotate the adjustable leveling feet under each of the vanity legs until the entire vanity is level.
2. Use a level to check front to back and left to right.



SECURE THE VANITY

⚠ CAUTION: Risk of product damage. Drill pilot holes into the back rail to provide support and to prevent shifting of the vanity.

1. Mark the locations of the studs on top-most back rail of the vanity.
2. Using a drill bit, drill two pilot holes through the back rail and into the finished wall and stud.
3. Secure the vanity to the wall with two screws* and washers (not provided). Shim as required to keep the vanity level.
4. Reinstall drawers (See page 5).



* Robern recommends using at least two construction screws to secure the vanity to the wall. Use screws that are long enough to pass through the vanity back rail, the finished wall, and into the stud. Larger vanities may require more than two screws to secure to the wall.

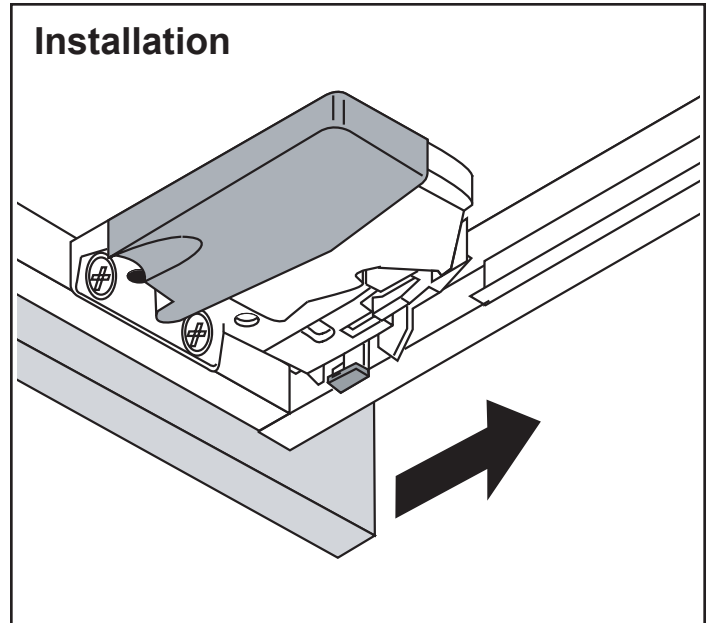
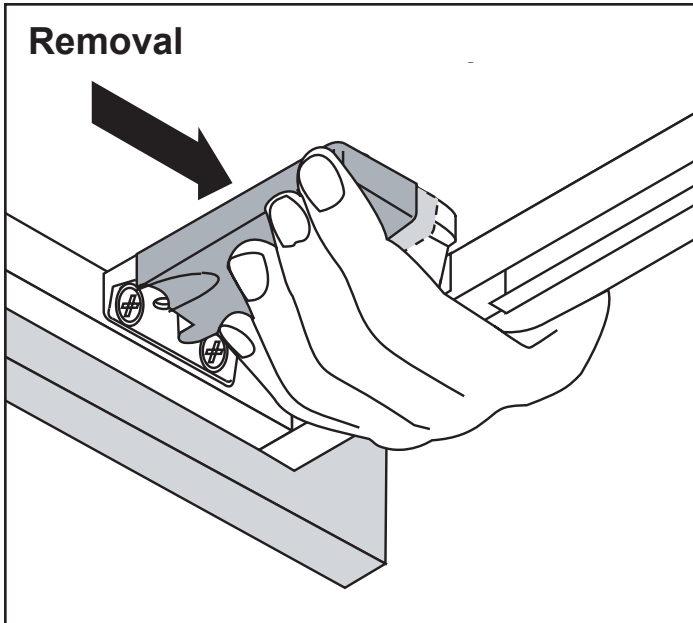
DRAWER REMOVAL/INSTALLATION

Drawer Removal

1. Reach under the drawer and squeeze the orange handles of both locking devices.
2. While holding the handles, pull the drawer straight out and lift it off the runners.

Drawer Installation

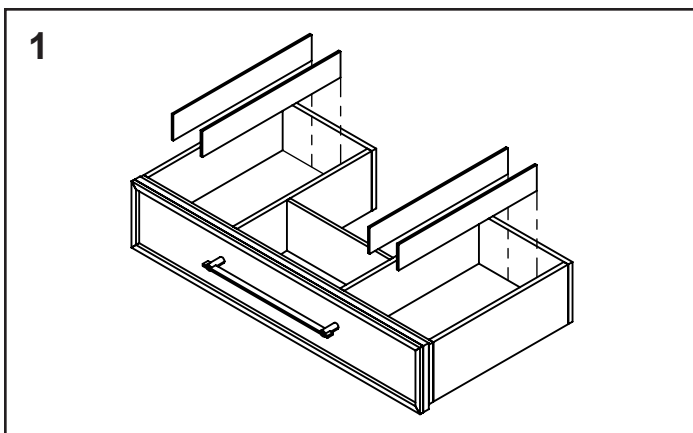
1. Place drawer on the runners (either extended or retracted) and close.
2. The locking devices will automatically engage with the runners. Open drawer completely to confirm that both locking devices have engaged.



DRAWER DIVIDER REMOVAL/INSTALLATION

These instruction steps are only applicable for vanities that ship with glass drawer dividers:

1. Align glass drawer divider with slots at the front and back of vanity drawer.
2. Firmly and evenly press down on the glass drawer divider until it is all the way down and touching the base of the drawer.



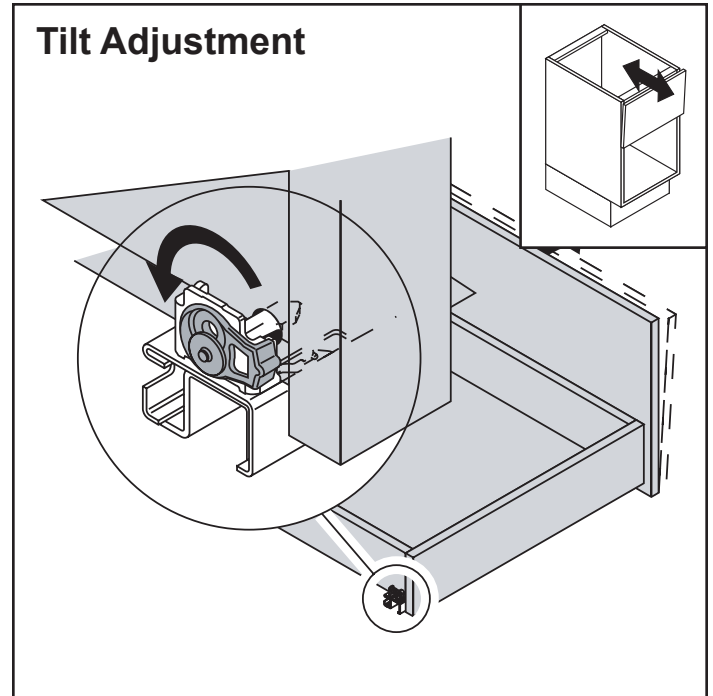
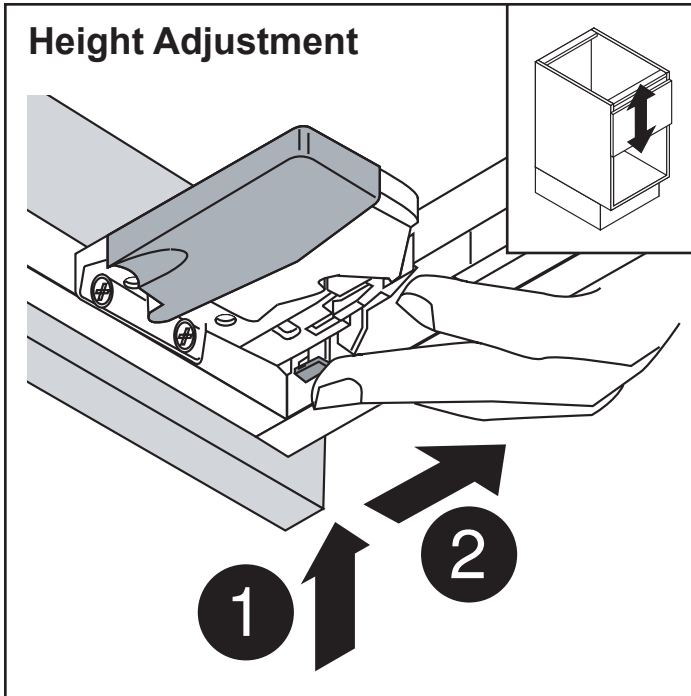
DRAWER ADJUSTMENT

Height Adjustment (This method provides upward adjustment only)

1. Press down on adjustment latch.
2. Push latch towards back of drawer after pressing down.

Tilt Adjustment

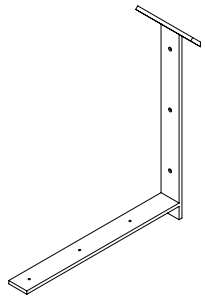
1. Rotate tab on rear hook for tilt adjustment.



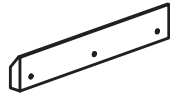
HELDEN VANITY INSTALLATION

The following installation instructions apply to the Helden vanity specifically. They are applicable for both the 36" and 60" wide versions of the vanity.

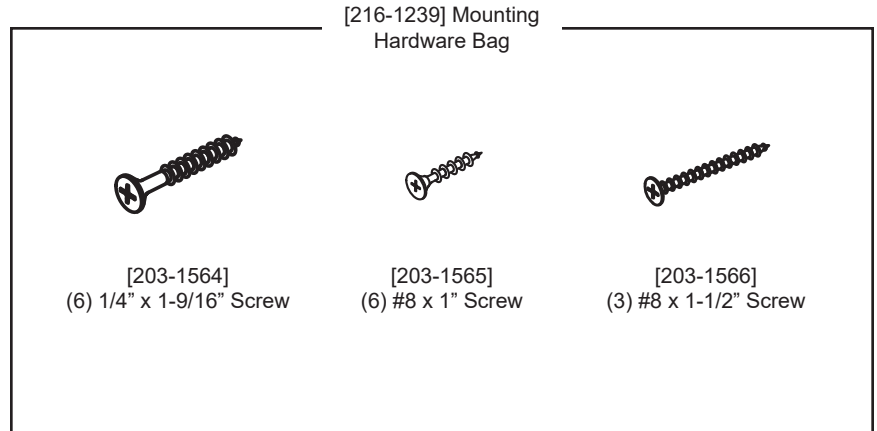
PARTS



(2) Steel Bracket



(1) Wall Cleat

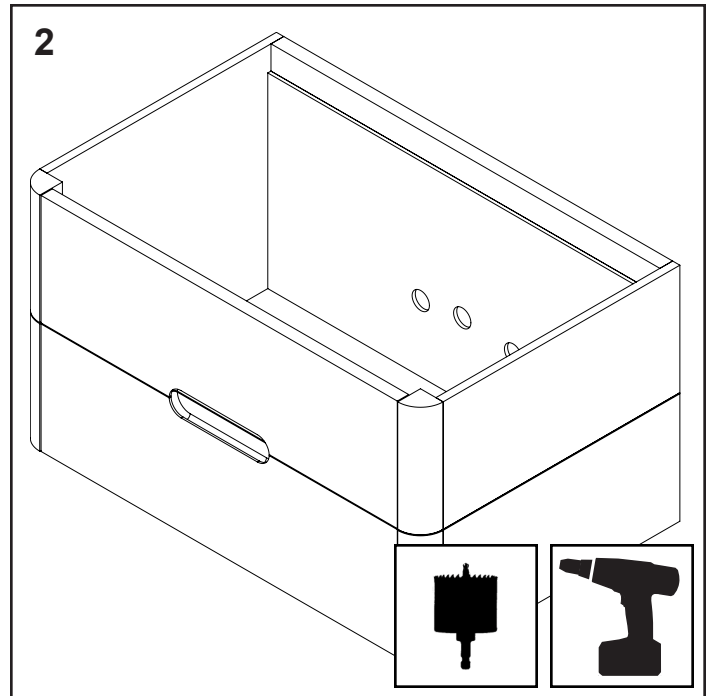
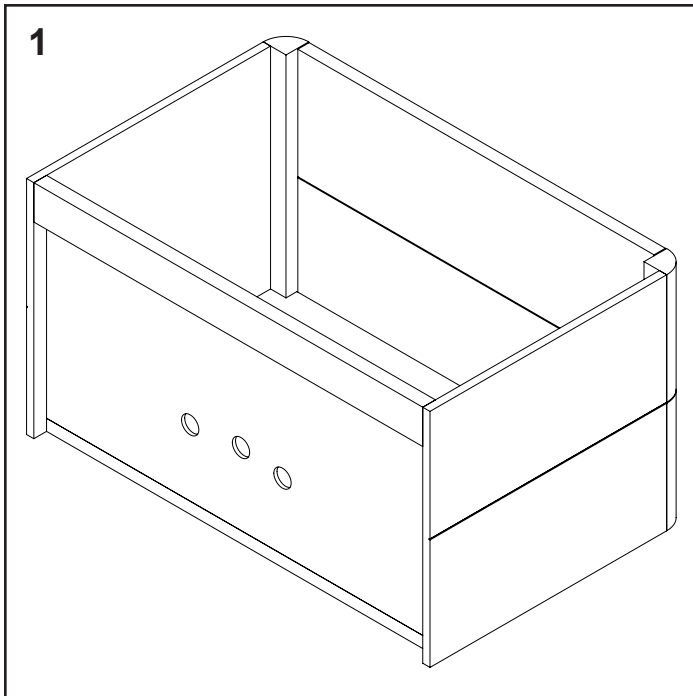


Quantities shown are for 36" wide vanity. 60" wide vanity ships with fewer components.

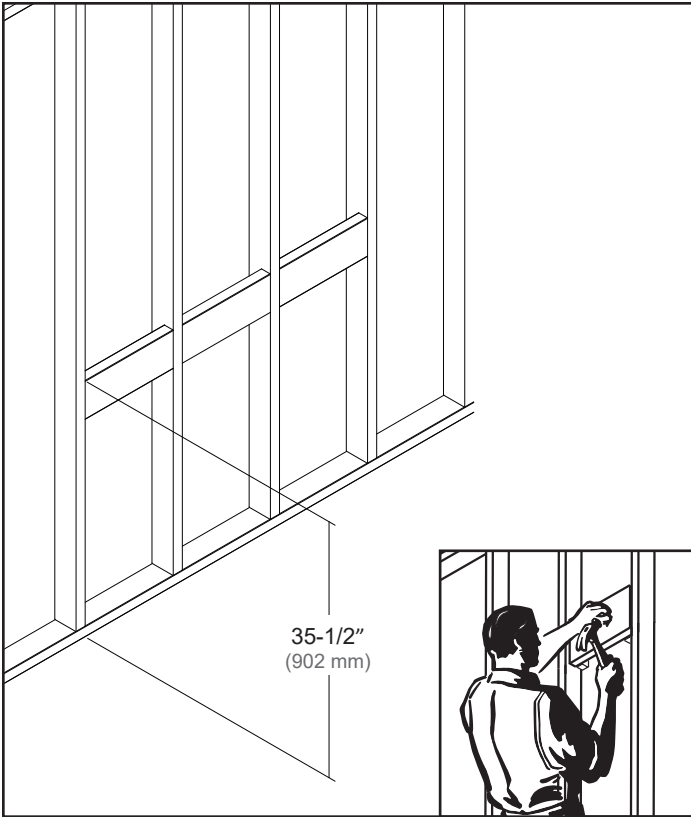
PREPARE THE VANITY

BEFORE STARTING: Remove any drawers and set aside in a secure location (see page 5 for instructions).

1. Measure and mark plumbing stub out locations on the back of the vanity.
2. DRILLING FROM THE INSIDE OF THE VANITY TOWARD THE BACK, use a hole saw to cut out the marked locations.

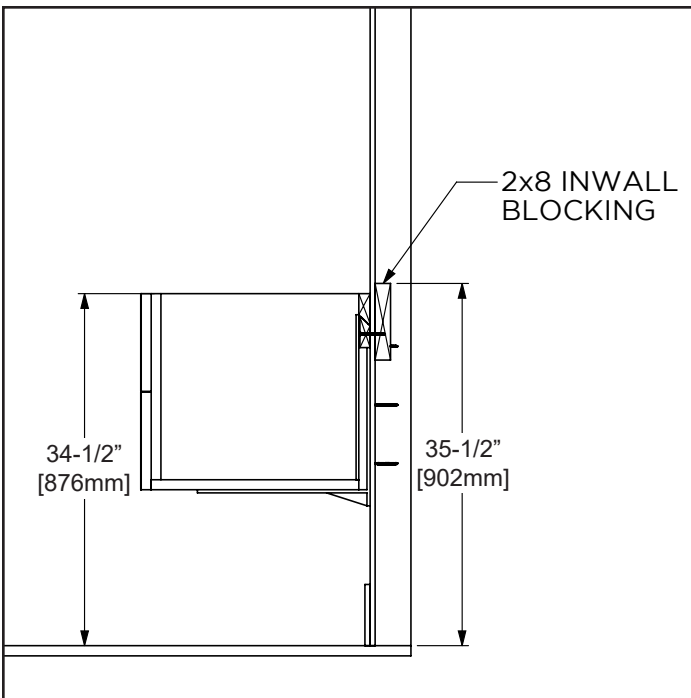


PREPARE THE WALL



Side view showing blocking location in the wall. For additional support, Robern recommends adding plywood below the blocking.

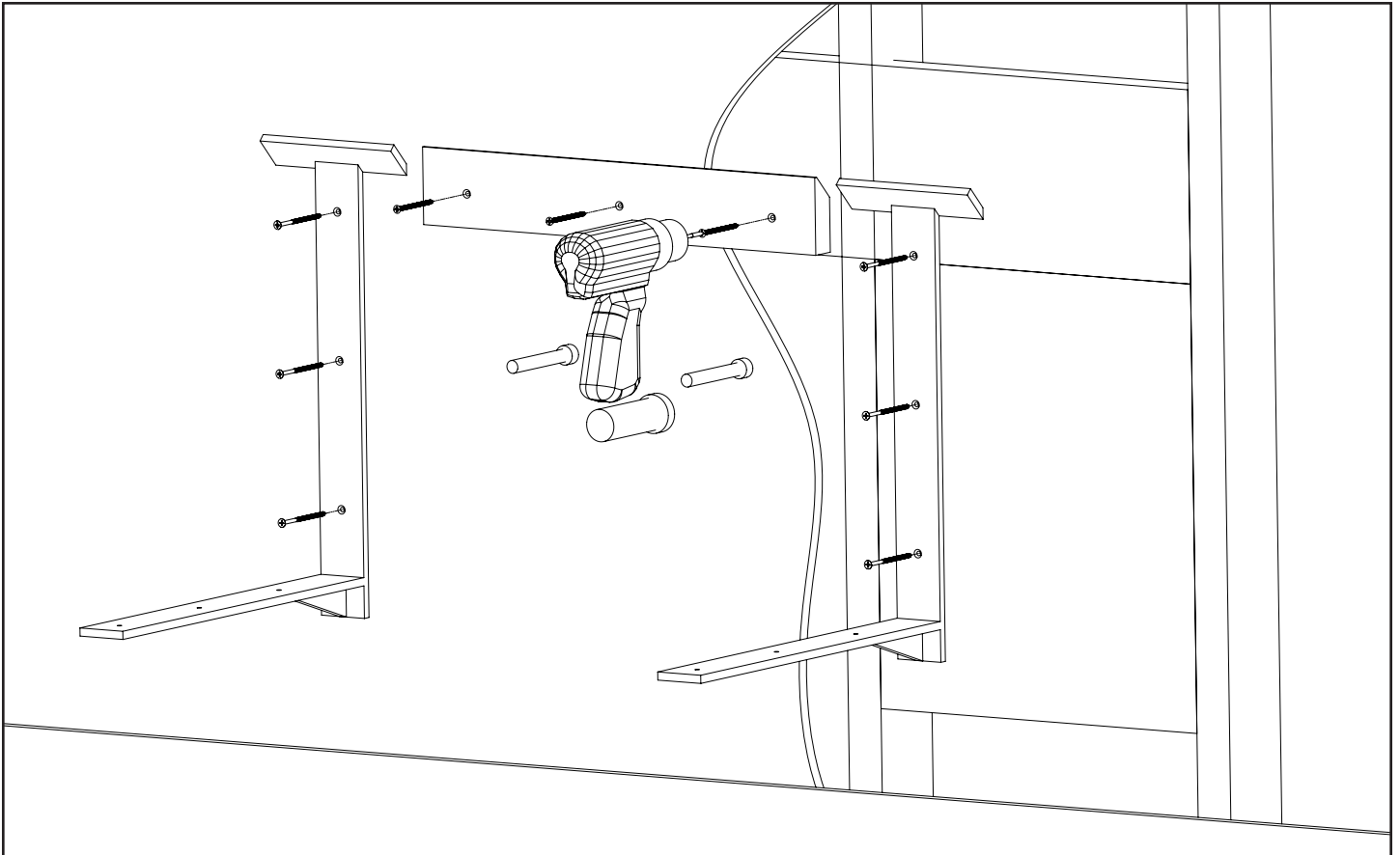
Locate plumbing so it does not interfere with drawers.



MOUNT WALL CLEAT AND STEEL BRACKETS

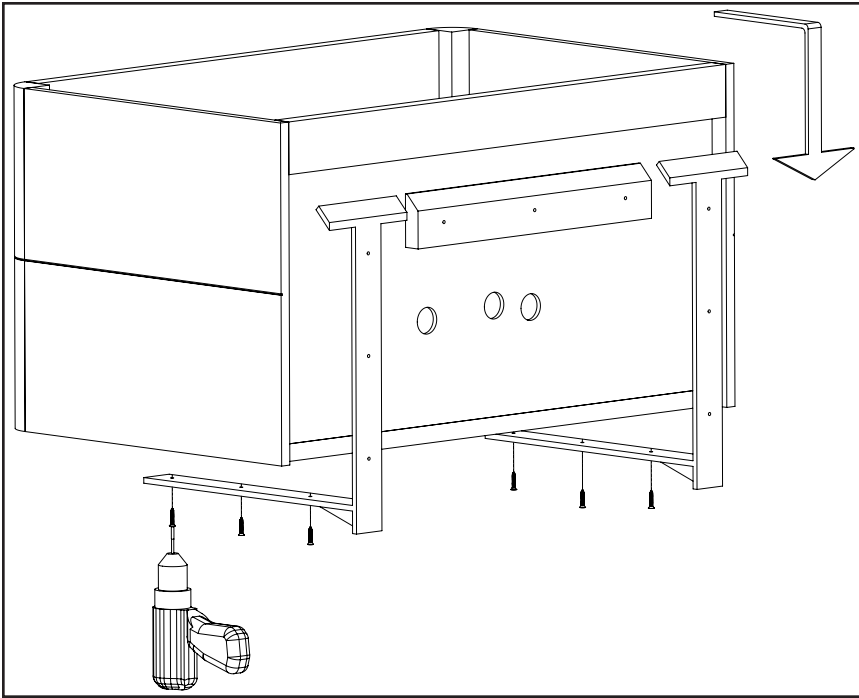
1. Locate and drill pilot holes into the finished wall and blocking using the wall cleat as a guide. Be sure to hold the wall cleat level and at the correct height.
2. Secure the wall cleat to the wall using the #8 x 1-1/2" steel screws.
3. Hold each of the steel brackets to the wall and secure to the wall and blocking using the 1/4" x 1-9/16" stainless steel screws. The top of the steel bracket should be lined up with the top of the wall cleat.

NOTE: The topmost screw for each steel bracket should also go into the blocking. Use appropriate wall anchors for the remaining screws depending on your wall type (drywall, masonry, etc.).



SECURE THE VANITY

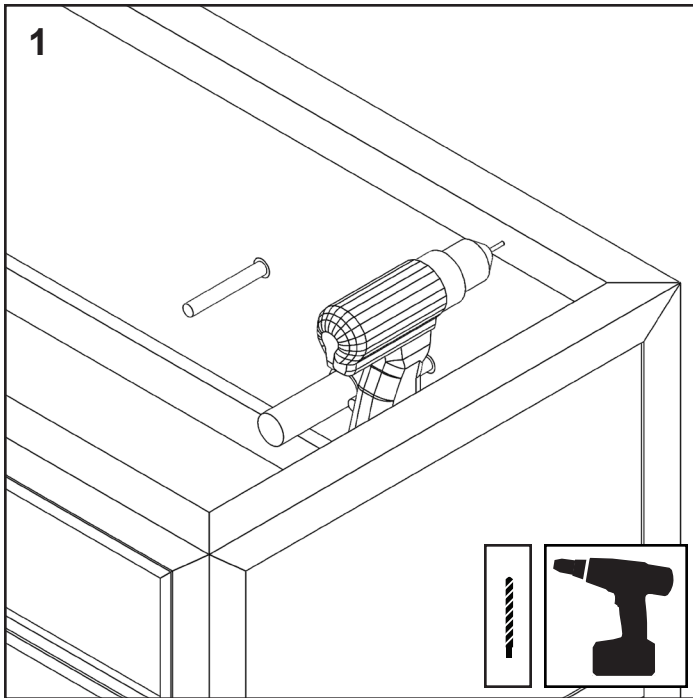
1. Install vanity onto the steel brackets and secure using the #8 x 1" stainless steel screws.



SECURE THE VANITY

⚠ CAUTION: Risk of product damage. Drill pilot holes into the back rail to provide support and to prevent shifting of the vanity.

1. Using a drill bit, drill two pilot holes through the back rail and into the finished wall and blocking.
2. Secure the vanity to the wall and blocking with two screws* and washers (not provided). Shim as required to keep the vanity level.
3. Reinstall drawers (See page 11).



* Robern recommends using at least two construction screws to secure the vanity to the wall. Use screws that are long enough to pass through the vanity back rail, the finished wall, and into the blocking. Larger vanities may require more than two screws to secure to the wall.

CARE AND MAINTENANCE

For best results, keep the following in mind when caring for your ROBERN product:

- Blot spills immediately with a soft, damp cloth.
- Test cleaners in a discrete location first, such as the inside of a door, to ensure that there is no adverse reaction.
- Do not expose wood furniture to direct sunlight, drying heat sources, or dampness.
- Protect wood surfaces by using felt, leather or cork under accessories. Never slide objects across wood surfaces.
- Dust frequently with a soft cloth in the direction of the grain.
- Use only products specifically made for cleaning wood. Avoid using oily polishes or waxes, or products containing silicone.
- Every six months, remove soil buildup by rubbing with a soft cloth dampened in a 50/50 solution of warm water and an ammonia-free detergent. Wipe clean with a cloth dampened in warm water. Wipe dry.
- Paint pens and touch-up markers are available to conceal scratches on the wood surface. These products may be purchased from a Robern distributor or call 1-800-877-2376 for ordering information.



WARRANTY

Limited Warranty One Year Term

Robern warrants to the original purchaser that, it will, at its election repair, replace, or make appropriate adjustment to products made by this company shown to have significant defects in material or workmanship which are reported to Robern in writing within one (1) year from the date of delivery. Robern is not responsible for installation costs. The warranty is void in the event the product is damaged in transit, or if damage or failure is caused by abuse, misuse, abnormal usage, faulty installation, damage in an accident, improper maintenance, or any repairs other than those authorized by Robern. At the expiration of the one year warranty period, Robern shall be under no further obligation under any warranty, expressed or implied, including the implied warranty of merchantability. Robern shall not be liable for any consequential damages arising out of or in connection with the use or performance of its products. Some states do not allow limitations on how long an implied warranty lasts or do not allow the exclusion or limitation of incidental or consequential damages, so the above limitation or exclusion may not apply to you. Any liability against Robern under any implied warranty, including the warranty of merchantability, is expressly limited to the terms of this warranty. Permission to return any merchandise under this warranty must be authorized by Robern and returned prepaid by the purchaser. Claims under this warranty should be sent directly to your dealer.

©2021 Robern, Inc.

All rights reserved

robern

© 2021 Robern, Inc. 701 N. Wilson Ave. Bristol, PA 19007 U.S.A.
800.877.2376 www.robern.com