

# ASSEMBLY INSTRUCTION

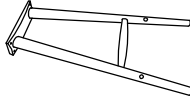
## 24"H COUNTER HEIGHT STOOL

**A** Wooden Seat



1 pc

**B** Leg Frame



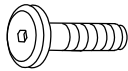
2 pcs

**C** Stretcher



2 pcs

**D** JCBC Bolt  
M6 x 20mm



8 pcs

**E** PH Screw  
M4 x 30mm

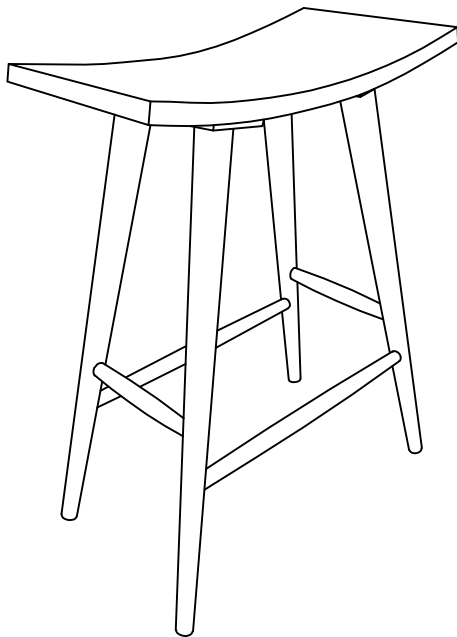


4 pcs

**F** Allen Key  
M4



1 pc



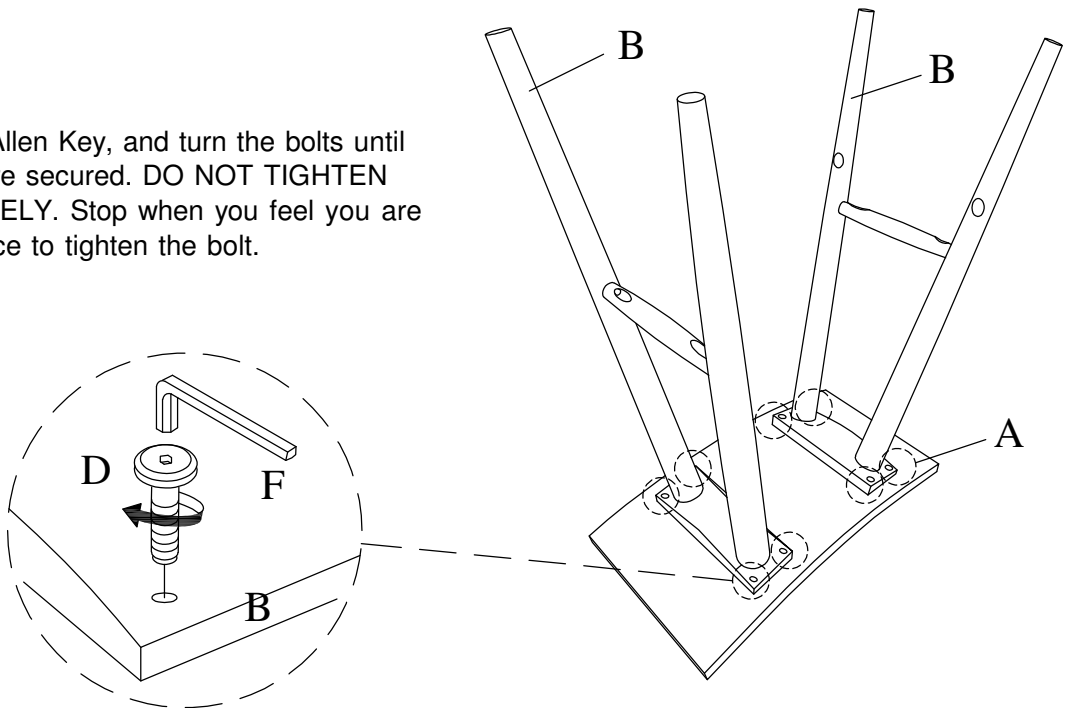
This page lists all the contents included in the box. Please take the time to identify the hardware as well as the individual components to this product. As you unpack and prepare for assembly, place the contents on a carpeted or padded area to protect them from damage.

**IMPORTANT NOTE :**

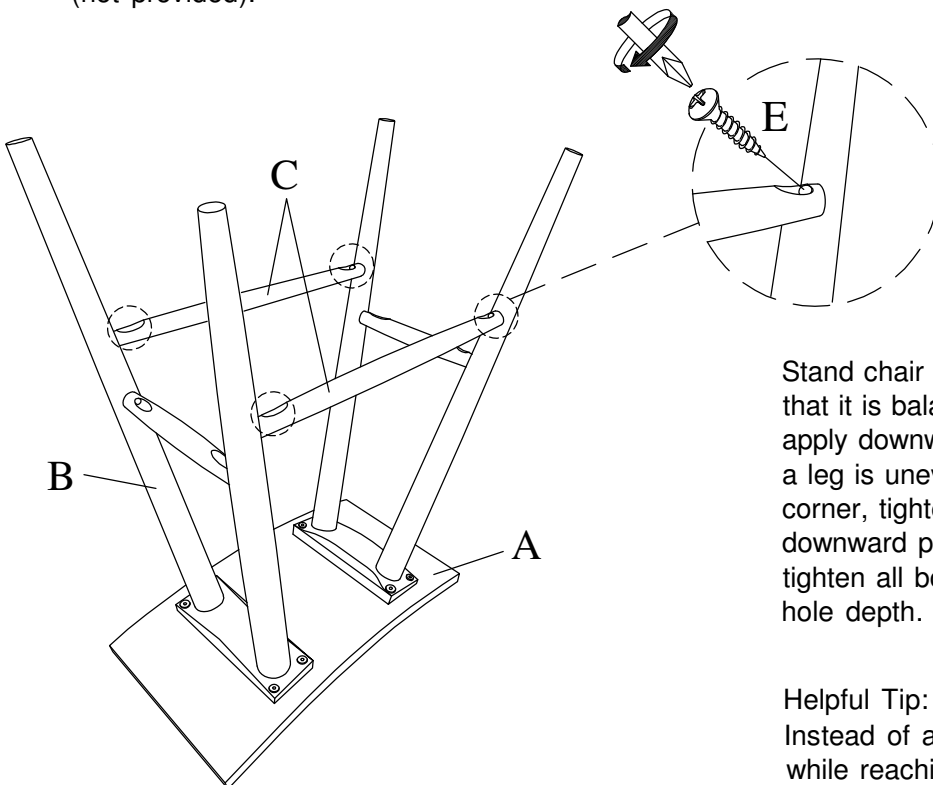
1. Do not tighten all screws / bolts until all completely assembled.
2. Keep all hardware parts out of reach of children.

- 1** Place the Wooden Seat (A) on a smooth flat surface, attach Leg Frame (B) to the Wooden Seat (A), and tighten JCBC Bolt (D) by using Allen Key (F).

Take the Allen Key, and turn the bolts until the legs are secured. **DO NOT TIGHTEN COMPLETELY.** Stop when you feel you are adding force to tighten the bolt.



- 2** Insert Stretcher (C) in between Leg Frame (B), by using PH Screw (E) and tighten with screwdriver (not provided).



Stand chair up on an even surface and check that it is balanced. If there is a slight wobble, apply downward pressure in the corner where a leg is uneven. Keeping pressure in that corner, tighten all bolts. If balanced, apply downward pressure evenly in the center and tighten all bolts. Do not over-tighten beyond hole depth.

**Helpful Tip:**

Instead of applying downward pressure while reaching under to tighten bolts, have someone sit in the chair while you tighten the bolts.

**CLEANING & CARE**

Treat surfaces with care. Surfaces are resistant to scratches but are not scratch resistant. Clean surface with a dry or damp soft cloth. Do not use abrasive cleaners. Hardware may loosen over time. Periodically check that all connections are tight.