



# SAVANT

## Wireless Keypad Auxiliary Control Quick Reference Guide

### Box Contents

- (1) Auxiliary Control without faceplate (WP3-xx0002-xx)  
or
- (1) Auxiliary Control without faceplate (WI3-xx0002-xx)
- (2) 6-32 inch pan head mounting screws
- (3) Wire nuts
- (1) Quick Reference Guide (this document)

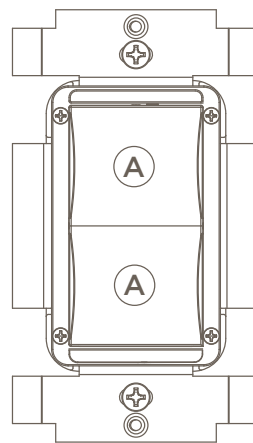
### Specifications

Environmental				
Temperature	32° to 104° F (0° to 40° C)			
Humidity	10% to 90% Relative Humidity (non-condensing)			
Location	Indoor Use Only			
Dimensions				
	Height	Width	Depth	Weight
WP3-xx0002	4.13 in.	2.36 in.	1.57 in.	.30 lb.
WI3-xx0002	(10.50 cm)	(6.00cm)	(3.99cm)	(.136 kg)
Shipping	7.0 in. (17.78cm)	4.5 in. (11.43cm)	3.0in (7.62cm)	0.60lb (0.27 kg)
Recommended Back Box Depth				
Keypads require a standard U.S. electrical back box.				
<ul style="list-style-type: none"> <li>- Recommended - 3.5 in (8.89 cm) deep</li> <li>- Minimum 2.25 in (5.72 cm) deep</li> <li>- Type 1 enclosure for control</li> </ul>				
Installation				
Operating Control	Type 1.B action			
Power				
Input	120V AC, 60Hz on Neutral wire (White)			
Rated impulse voltage	2500V			
Regulatory				
	FCC Part 15	UL		
Safety and Emissions				
RoHS	Compliant			
Minimum Supported Release				
None				

### Product Description

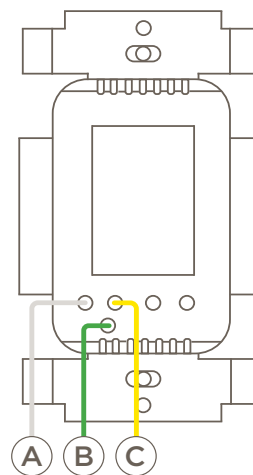
A companion to Savant's wireless dimmers and switches, the Auxiliary Keypad allows control of a single load from multiple locations, similar to a 3-way switch. Auxiliary Keypads are connected to a Savant Wireless Keypad via a traveler wire that sends control signals from the Aux keypad to the Wireless keypad, which then relays the command over Wi-Fi. Auxiliary Keypads are not connected to the local network directly.

### Front Panel



**Keypad Buttons** - Press the up or down button to send control data over the yellow traveler wire to a master wireless keypad dimmer or switch.

### Rear Panel



**A** White **Neutral** - Return path for voltage.

**B** Green **Ground** - Connect to earth ground

**C** Yellow **Traveler** - Connect to one or more Auxiliary Controls for multi-location control.

Wires are all a five inch #16 AWG stranded wire.

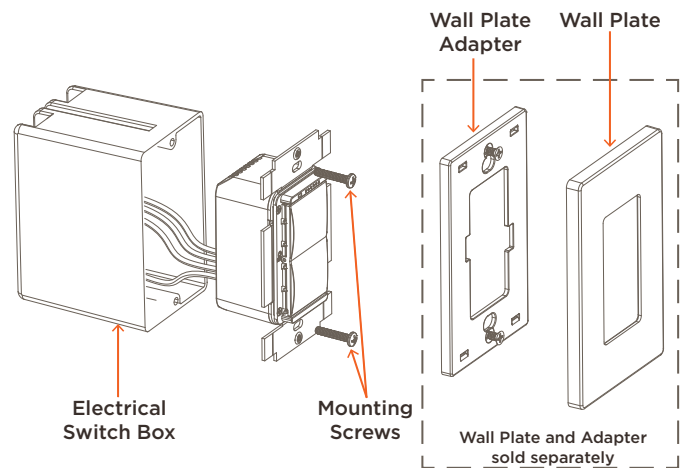
## Electrician Removal/Installation

**ELECTRIC SHOCK!** The 120V AC, 60 Hz source power poses an electrical shock hazard that has the potential to cause serious injury to installers and end users.

**IMPORTANT NOTES!**

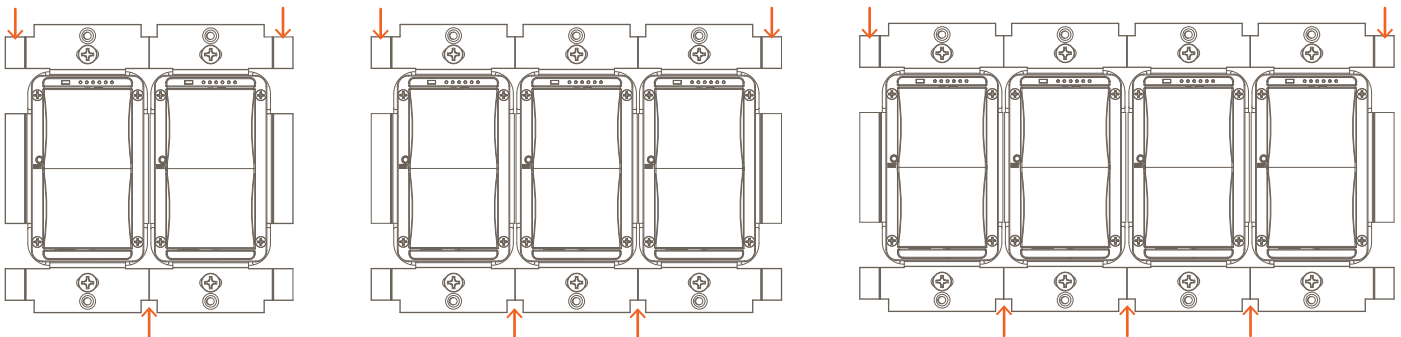
- A licensed electrician is required to install any of the Savant wireless lighting devices. Isolate and turn off power at the main breaker panel prior to installing any electrical devices.
  - Use #14 AWG or larger solid copper wires (80°C) for supply, neutral, and ground connections. Strip wires to 5/8 inch (16 mm).
1. At the main breaker panel, switch off the breaker that supplies power to the circuit.
  2. Unscrew the wall plate and remove it. Using a 120V AC tester, verify the power was removed.
  3. Unscrew the two 6-32 flat head screws and remove the existing toggle/rocker switch.
  4. Disconnect and label each wire as they are removed from the current device. Labeling the wires ensures they will be installed onto the new device correctly, primarily if the circuit employs a 3-way configuration.
  5. Using the supplied wire nuts or an approved alternative, connect the in-wall wires removed from step 4 above to the leads coming from the new Savant Auxiliary Control keypad. See the [Wiring Diagrams](#) or [Rear Panel](#) sections for more information.
  6. Insert the Auxiliary Control into the electrical switch box and secure it with the supplied 6-32 flat head screws. **DO NOT** use a powered screwdriver. A powered screwdriver can over tighten the screws.
  7. Install the wall plate adapter. When installing, ensure the adapter completely covers the metal yoke.
  8. From the main breaker panel, switch on the circuit breaker that was switched off in step 1 above.
  9. To test:
    - If the Auxiliary Control is wired to a Savant wireless keypad switch, press the top button and observe the load switches On. Press the lower button and observe the load switches Off.

**NOTE:** The test above assumes that the Auxiliary Control is wired to a previously tested and functioning Savant dimmer or switch.



## Multi-Gang Installations

When combining more than one keypad into a multi-ganged electrical box, for the devices to fit, it may be necessary to remove the tabs from either the left, right, or both sides of the keypad. Examples of 2, 3, and 4-gang scenarios are shown below.

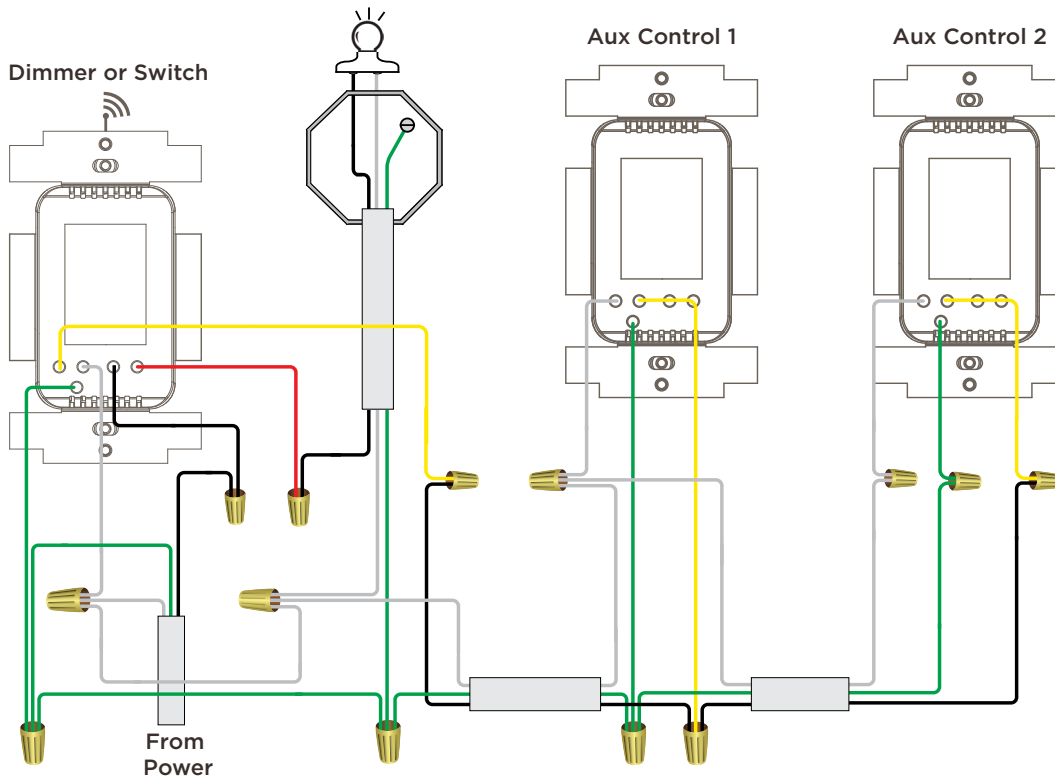


- Tabs are removed from both sides of any devices positioned on the inside of an electrical box.
- Tabs are NOT removed from outside edges of the devices positioned at the outside ends of each electrical box.

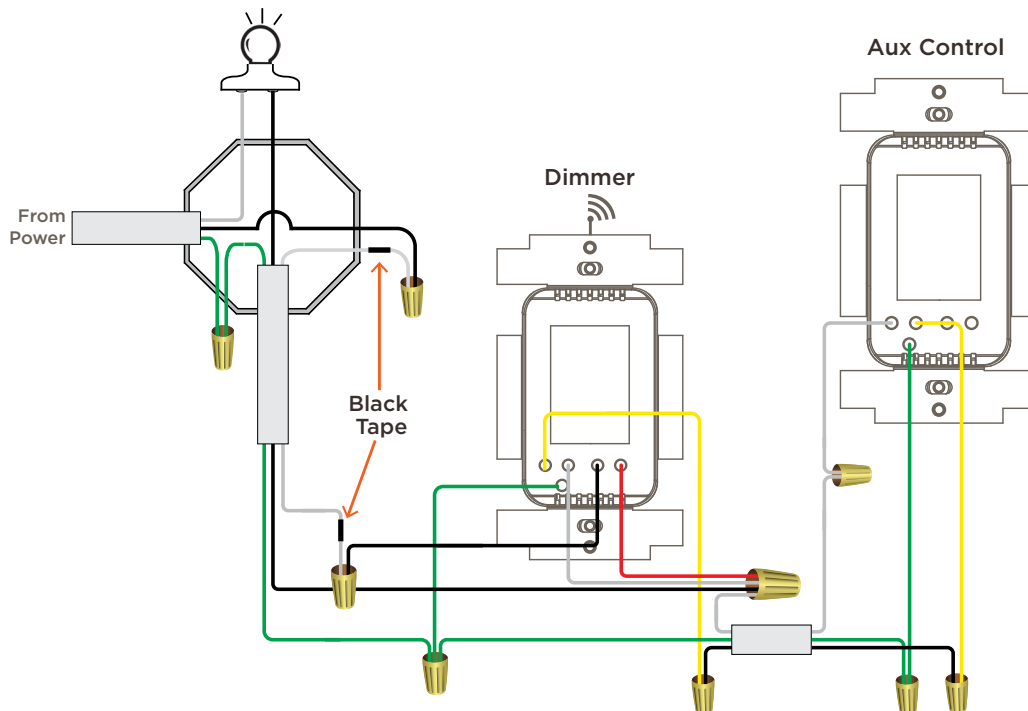
## Wiring Diagrams

Connecting the Auxiliary Control keypad as a companion to a Savant wireless keypad switch or dimmer is shown in the diagrams below. Both a standard wiring scenario and a no neutral type setup are presented. Ensure that all unused wires have the stripped portion cut off and are capped with a supplied wire nut or an approved alternative.

### Two Auxiliary Control Keypads wired to a Wireless Dimmer or Switch



### One Auxiliary Control Keypad wired to a Wireless Dimmer (No Neutral)



- No Neutral Configuration - Only incandescent type loads supported.