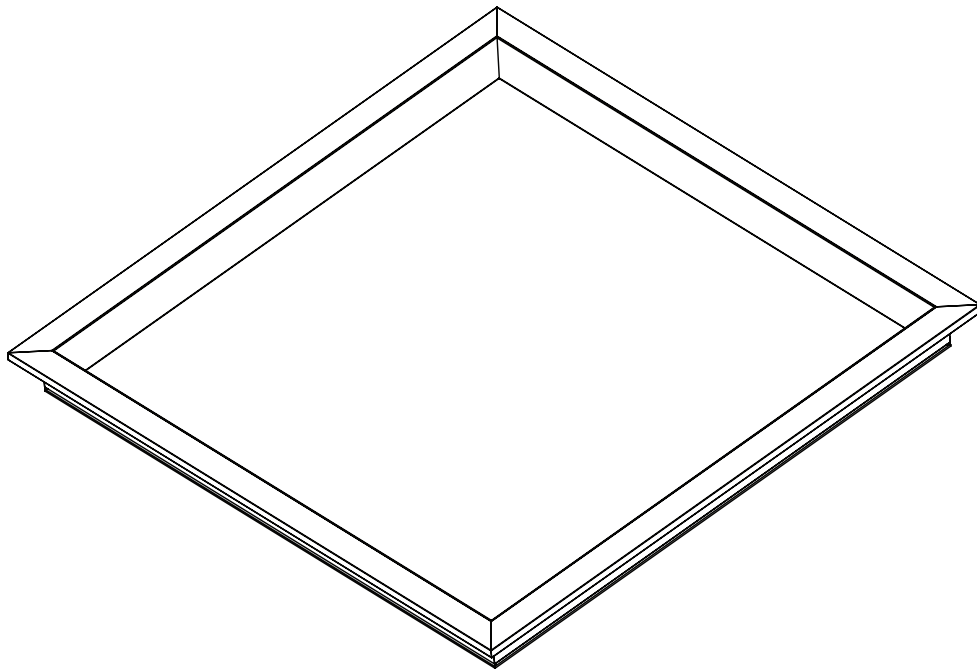


# 2X2 LED SKYLIGHT TROFFER FIXTURE WITH SELECTABLE COLOR TEMPERATURES

---

## IMPORTANT SAFETY INSTRUCTIONS AND INSTALLATION GUIDE



**READ BEFORE INSTALLATION**  
**SAVE THESE INSTRUCTIONS**



# Table of Contents

Safety Information .....	2
FCC Statement .....	2
Warranty .....	2
Pre-Assembly .....	3
Installation .....	4
Wiring for a Standard Wall Switch.....	5
Wiring for 0-10V Dimmer .....	5
Operating the Fixture .....	6
Changing the Color Settings .....	6

## Safety Information

For your safety, always remember to:

- ❑ Turn off the power supply at the fuse or circuit breaker box before you install the fixture.
- ❑ Ground the fixture to avoid potential electric shock and to ensure reliable starting.
- ❑ Double-check all connections to be sure they are tight and correct.
- ❑ Wear rubber soled shoes and work on a sturdy wooden ladder.
- ❑ Account for small parts and destroy packing material, as these may be hazardous to children.

This fixture is designed for use in a circuit protected by a fuse or circuit breaker. It is also designed to be installed in accordance with local electrical codes. If you are unsure about your wiring, consult a qualified electrician or local electrical inspector, and check your local electrical code.

**NOTICE:** All electrical connections must be in accordance with local and National Electrical Code (N.E.C.) standards. If you are unfamiliar with proper electrical wiring connections obtain the services of a qualified electrician.

Remove the fixture and the mounting package from the box and make sure that no parts are missing by referencing the illustrations on the installation instructions.

### Product Specifications:

- 120VAC-277VAC, 70W, 60Hz
- Wall Dimmable
- Suitable for Damp Location
- 0-10V Dimming



**WARNING: RISK OF SHOCK.** House electric current can cause painful shock or serious injury unless handled properly.



**CAUTION:** Turn off the main power at the circuit breaker before installing the fixture, in order to prevent possible shock.



**WARNING: RISK OF FIRE.** Before installing your lighting fixture, thoroughly review this installation manual. If you do not have sufficient electrical wiring experience have your fixture installed by a certified electrician. All electrical connections must be in accordance with Local and National Electrical Code (NEC) Standards. Reliable operating temperature is -13°F to 113°F / -25°C to 45°C. Suitable for Damp Locations. For more information including dimmer compatibility visit [www.feit.com](http://www.feit.com).

**SUITABLE FOR OPERATION IN AMBIENT NOT EXCEEDING 45°C  
FOR USE IN NON-FIRE-RATED INSTALLATIONS ONLY**

## FCC STATEMENT

**Supplier's Declaration of Conformity:**  
47 CFR § 2.1077 Compliance Information  
**Responsible Party:** Feit Electric Company  
4901 Gregg Road, Pico Rivera, CA 90660, USA  
[www.feit.com](http://www.feit.com)  
**Unique Identifier:** TR2X2/SKY/5CCT/WH

This device complies with part 15 of the FCC Rules. Operation is subject to the following two conditions: (1) This device may not cause harmful interference, and (2) this device must accept any interference received, including interference that may cause undesired operation. Note: This equipment has been tested and found to comply with the limits for a Class B digital device, pursuant to part 15 of the FCC Rules. These limits are designed to provide reasonable protection against harmful interference in a residential installation. This equipment generates, uses and can radiate radio frequency energy and, if not installed and used in accordance with the instructions, may cause harmful interference to radio communications. However, there is no guarantee that interference will not occur in a particular installation. If this equipment does cause harmful interference to radio or television reception, which can be determined by turning the equipment off and on, the user is encouraged to try to correct the interference by one or more of the following measures: Reorient or relocate the receiving antenna. Increase the separation between the equipment and receiver. Connect the equipment into an outlet on a circuit different from that to which the receiver is connected. Consult the dealer or an experienced radio/TV technician for help. Any changes or modifications not expressly approved by the manufacturer could void the user's authority to operate the equipment.

## Limited Warranty

This product is warranted to be free from defects in workmanship and materials for up to 3 years from date of purchase. If the product fails within the warranty period, please contact Feit Electric at [info@feit.com](mailto:info@feit.com) or visit [feit.com/contact-us](http://feit.com/contact-us) for instructions on replacement or refund. REPLACEMENT OR REFUND IS YOUR SOLE REMEDY. EXCEPT TO THE EXTENT PROHIBITED BY APPLICABLE LAW, ANY IMPLIED WARRANTIES ARE LIMITED IN DURATION TO THE DURATION OF THIS WARRANTY. LIABILITY FOR INCIDENTAL OR CONSEQUENTIAL DAMAGES IS HEREBY EXPRESSLY EXCLUDED. Some states and provinces do not allow the exclusion of incidental or consequential damages, so the above limitation or exclusion may not apply to you. This warranty gives you specific legal rights, and you may also have other rights which vary from state to state or province to province.

## TOOLS REQUIRED (NOT INCLUDED)

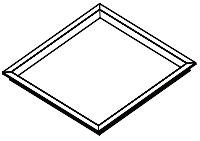


Flathead  
screwdriver

## HARDWARE INCLUDED



NOTE: Hardware not shown to actual size.



AA



BB

Part	Description	Quantity
AA	LED Troffer	1
BB	Wire Nuts	5

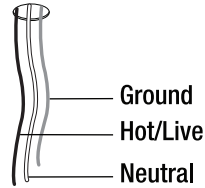
# Installation

## 1 Turning off the Power

- Turn the power OFF at the switch, fusebox, or the circuit breaker.

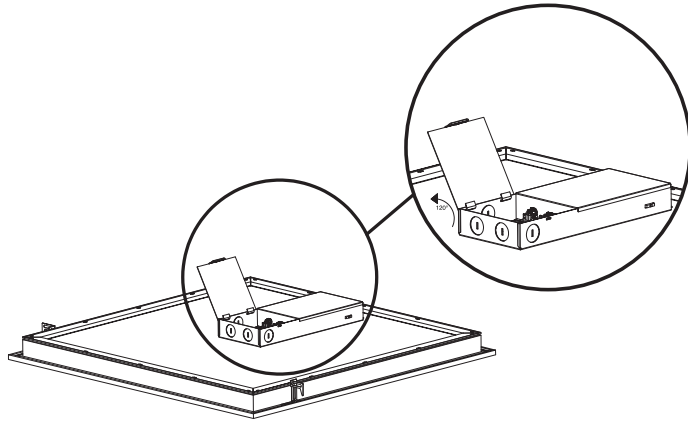
## 2 Identifying the Wires

- Black - Hot/Live
- White - Neutral
- Green or Bare Copper - Ground



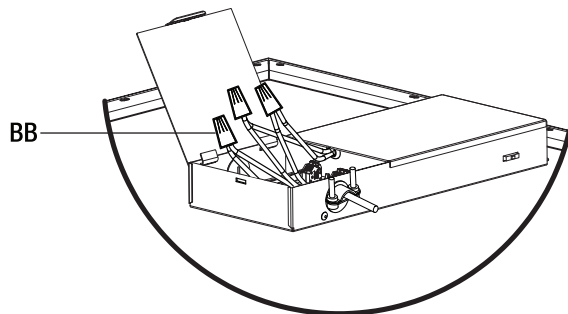
## 3 Removing the Hole Punch

- Open the power supply box cover.
- Carefully remove the knockout with a screw driver or punch.



## 4 Connecting the Power Supply Wires

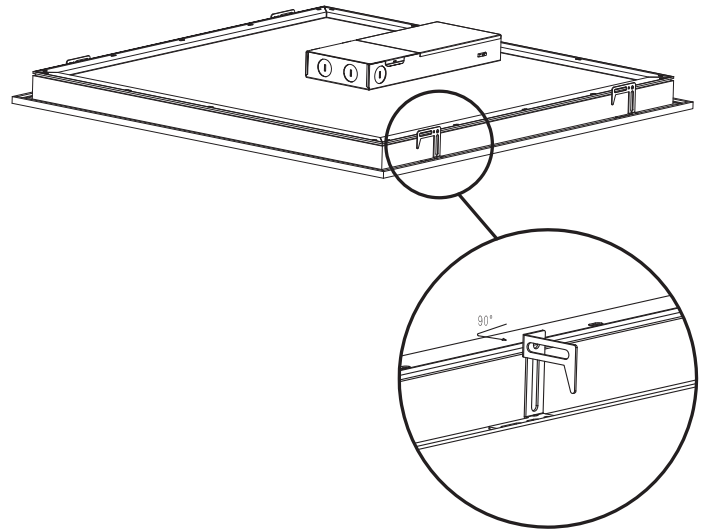
- Use the wire nuts (BB) to connect the three wires coming from the fixture (AA) to the supply wires.
- See wiring diagram A or diagram B.



**NOTE:** Purple and Pink wires to be used with 0-10V dimmers only (purple +10V, pink -10V). Purple (+10V) - Purple from dimmer Pink (-10) - Pink from dimmer. See wiring diagram B.

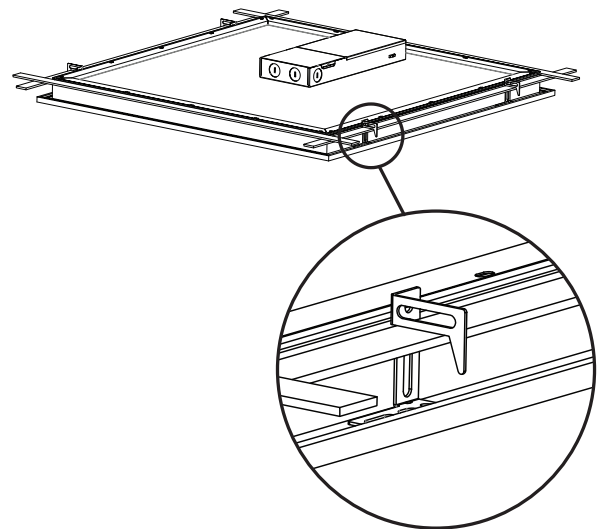
## 5 Bending the Hanging-Hooks

- Bend the hanging-hooks by 90°, as shown below.



## 6 Installing the Fixture

- Remove the ceiling tile where you will install the 2x2 Troffer.
- Place the panel into the ceiling and use hanging-hooks to stabilize the panel on the T-Bar.

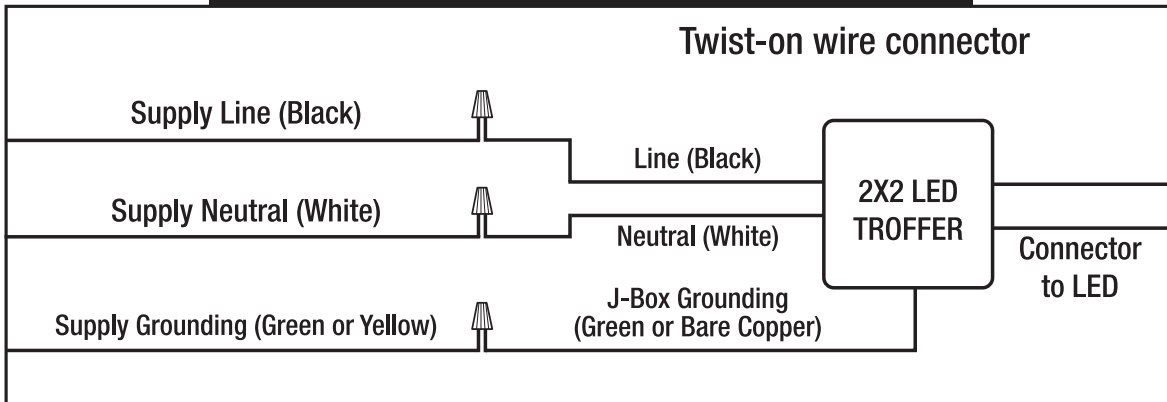


## 7 Turning On the Power

- Turn on the fusebox or circuit breaker and the power at the wall switch.

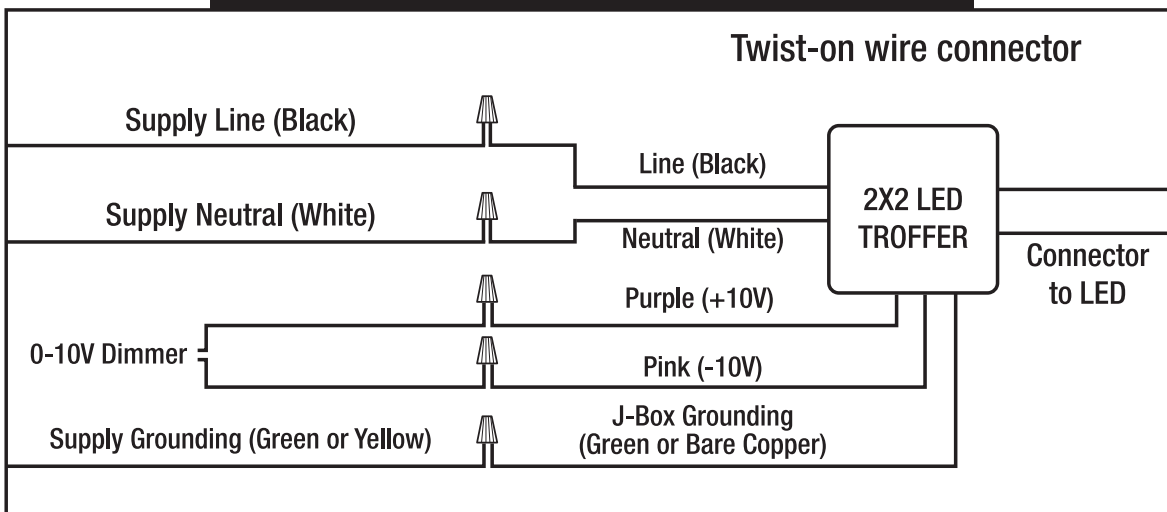
# Wiring for a Standard Wall Switch

## WIRING DIAGRAM A



# Wiring for 0-10V Dimmer

## WIRING DIAGRAM B



## Operating the Fixture

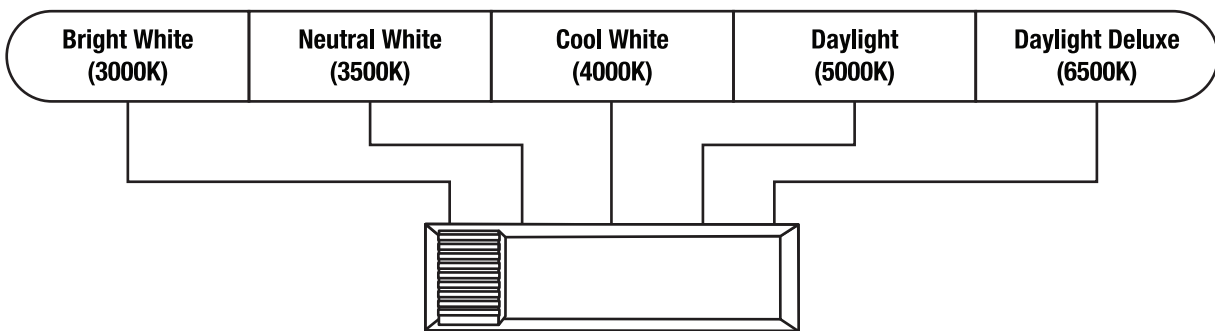
- Flip the wall switch ON after Installation to enter Mode 1: Skylight.
- Flip the wall switch OFF and back ON in less than 3 seconds to enter the Mode 2: White light.
  - The color temperature of the white light in Mode 2 can be selected with the switch on the back of fixture. This will affect the color temperature of the white light only in Mode 2. See "Changing the Color Settings" section.
- Flip the wall switch OFF and back ON again in less than 3 seconds to enter Mode 3: Blue light.



**NOTE:** If the unit is turned off for more than 10 seconds, the mode will automatically revert to the default mode of Mode 1 (Skylight).

## Changing the Color Settings

- Must be in Mode 2 (White light) to select the desired color temperature.



When the slide switch is set to 3000K, the color temperature is set to Bright White.

When the slide switch is set to 3500K, the color temperature is set to Neutral White.

When the slide switch is set to 4000K, the color temperature is set to Cool White.

When the slide switch is set to 5000K, the color temperature is set to Daylight.

When the slide switch is set to 6500K, the color temperature is set to Daylight Deluxe.



**NOTE:** The color temperature is pre-set to 4000K.



## Need Help?

Thank you for your purchase.

Questions, comments or feedback?

We'd love to hear from you.

Visit [feit.com/help](https://feit.com/help) for support or connect with us:



@FeitElectric



@FeitElectricInc



feitelectriclighting