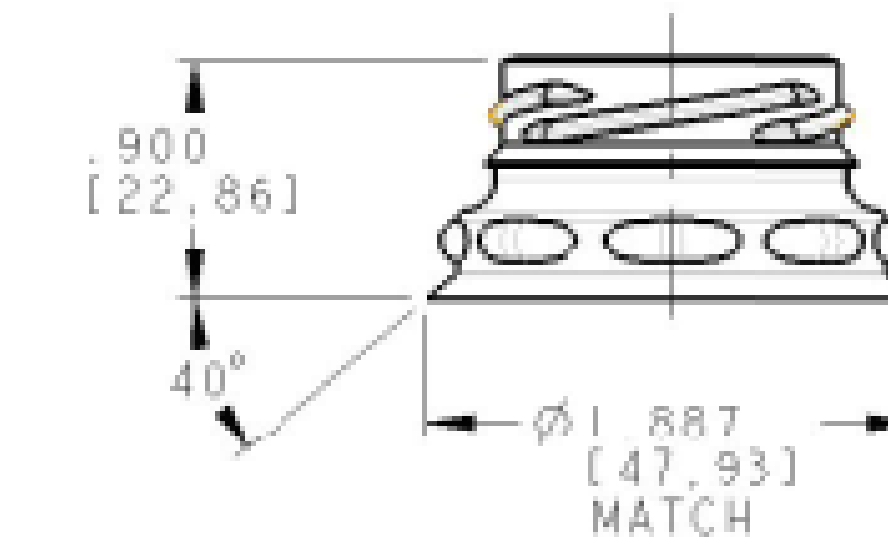
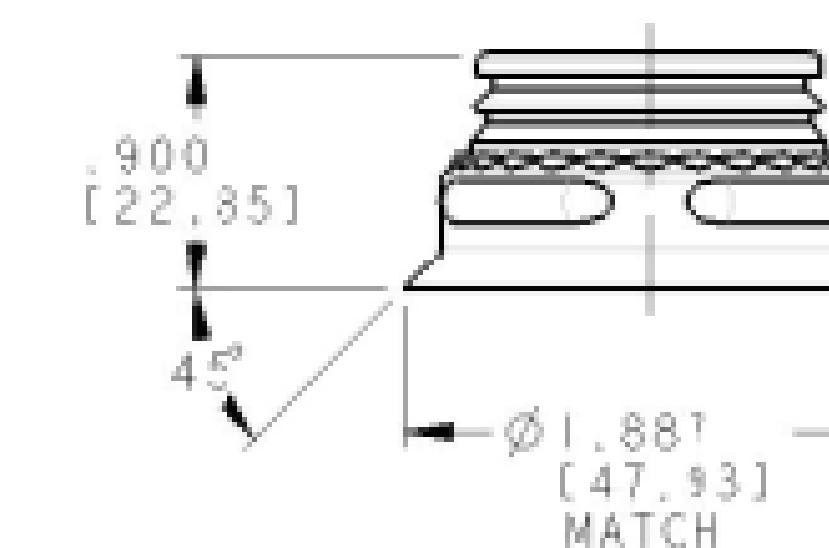


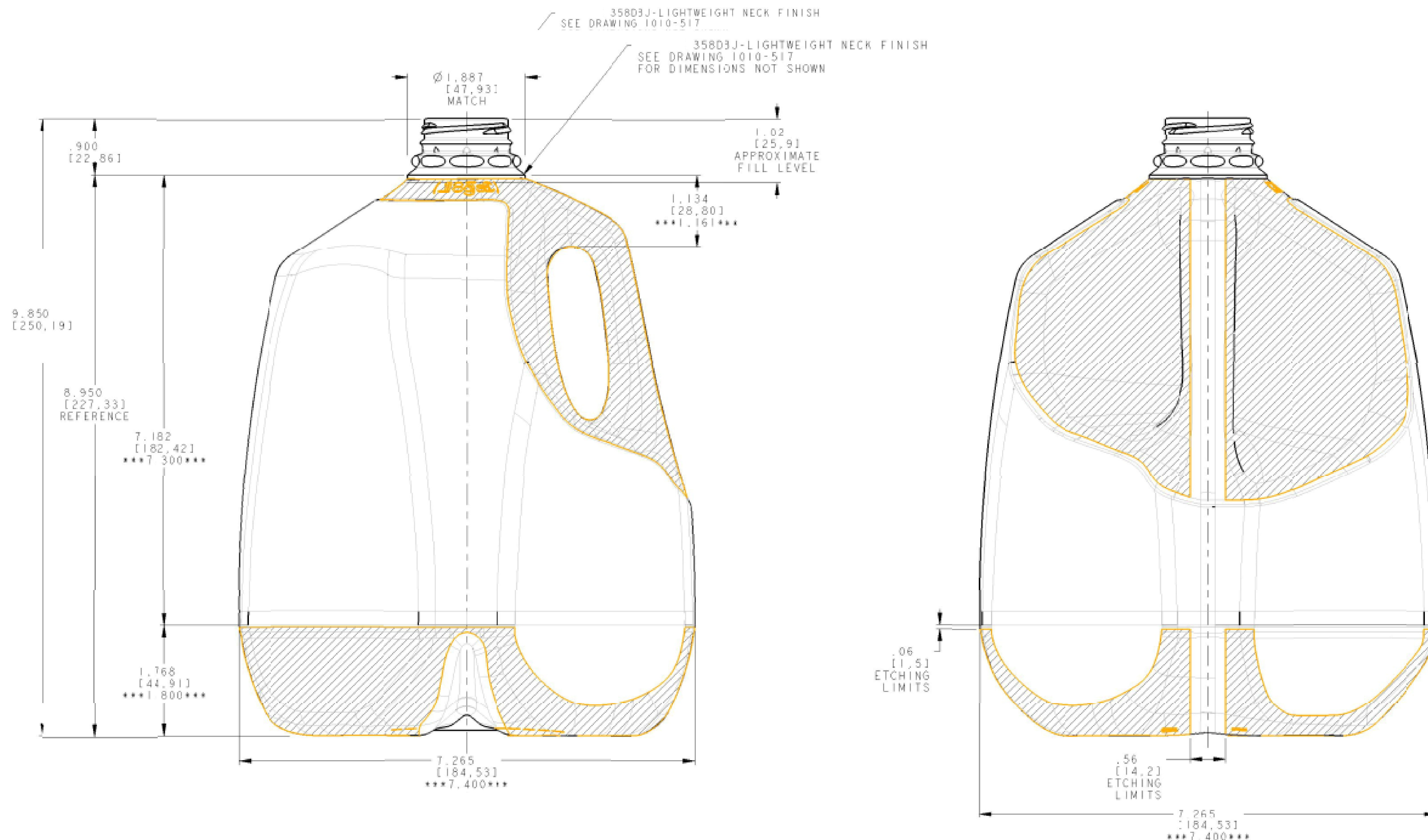
38mm IPEC-ISS, SNAP/SCREW NECK FINISH  
SEE DRAWING 1010-674 FOR DIMENSIONS NOT SHOWN (A)



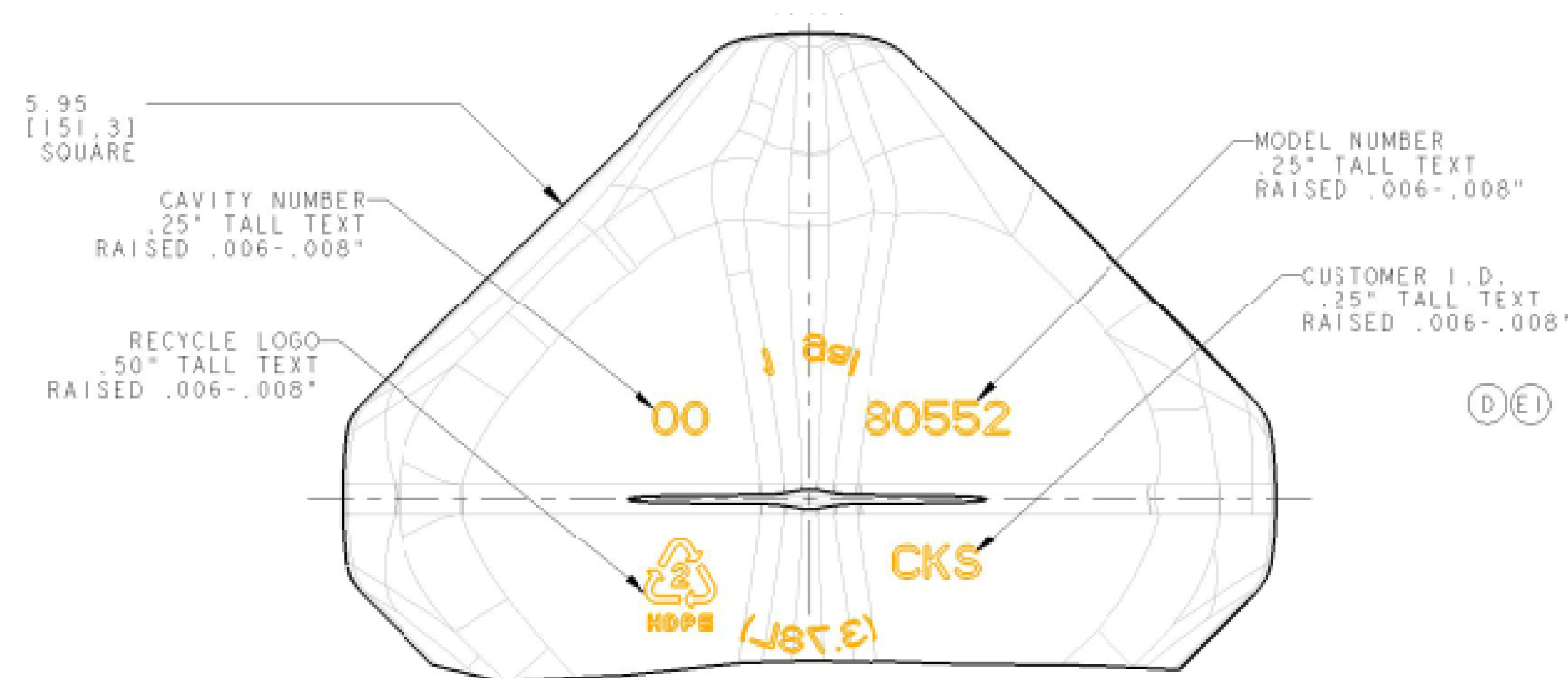
38mm SILGAN ISO NECK FINISH  
SEE DRAWING 010-467 FOR DIMENSIONS NOT SHOWN (B)



38mm SC11 NECK FINISH  
SEE DRAWING 1010-210 FOR DIMENSIONS NOT SHOWN



- NOTES:
1. CONTAINER WEIGHT -- 65.0 ±2.0 g
  2. MATERIAL -- HDPE
  3. OVERFLOW CAPACITY -- 128.8 oz.
  4. FILL CAPACITY -- 128.0 FL.OZ.  
3785.4 ML
  5. TOLERANCES UNLESS OTHERWISE SPECIFIED:  
VERTICAL ± .080"  
HORIZONTAL ± .090"/2.3MM  
VOLUMETRIC ± 1.5 FL.OZ.  
44.0 ML
  6. BOTTLES TO BE CHECKED AGED WITH 4°C WATER
  7. ESTIMATED DULGE -- 2.6 FL.OZ.



**DISCLAIMER**

This specification does not relieve the customer of their ultimate responsibility for the determination of the appropriate container. It is the customer's responsibility to select the appropriate packaging based upon all information at their disposal including the specific application, regulatory compliance, product compatibility and shipping requirements. WE HEREBY DISCLAIM AND EXCLUDE ANY EXPRESS OR IMPLIED WARRANTIES, INCLUDING WITHOUT LIMITATION THE IMPLIED WARRANTIES OF MERCHANTABILITY AND FITNESS FOR A PARTICULAR PURPOSE.

DISTRIBUTED BY:



REF NO.:

DWG30595

DESCRIPTION:

128 oz HDPE Dairy, 38-400, 65 Gram