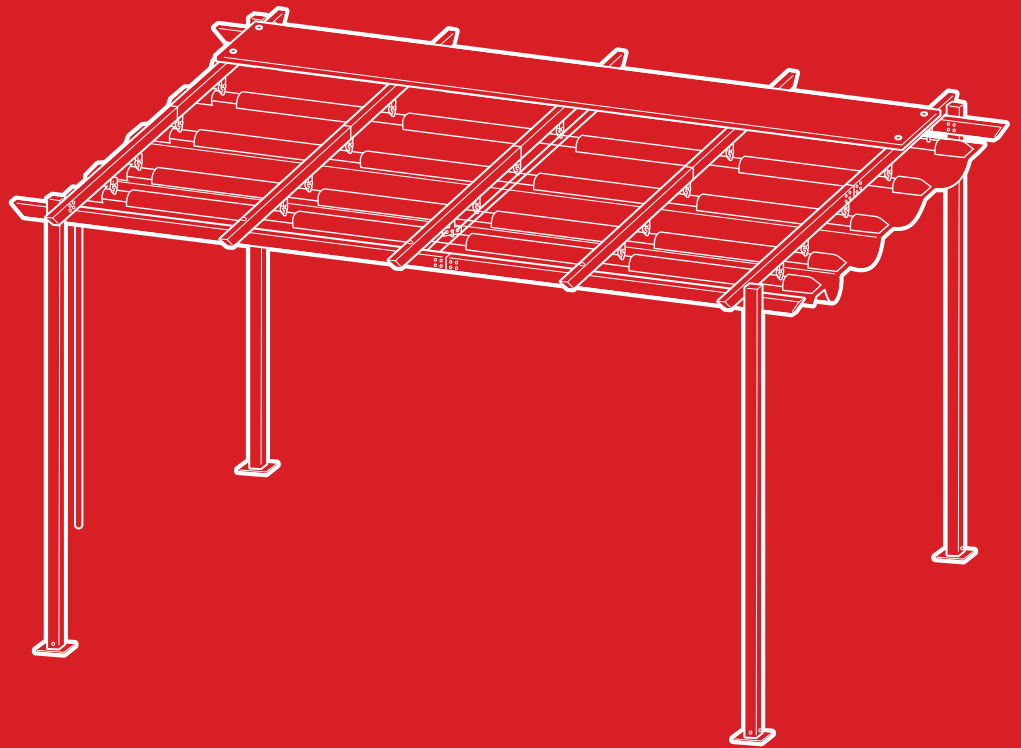




bestchoiceproducts



INSTRUCTION MANUAL

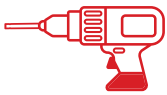
10-foot x 10-foot Pergola

NOTICE

Please retain these instructions for future reference.

- Firmly secure all bolts, screws and knobs before use.
- Reconfirm that all bolts, screws, and knobs are secure every 90 days.
- Fasten screws loosely during assembly. Do not firmly tighten screws until item is fully assembled.
- Do not use or store this item in the proximity of open flame or flammable/combustible chemicals.
- Be aware that some parts are heavy and have sharp edges.
- If any parts are missing, broken, damaged, or worn, stop using this product until repairs are made and/or factory replacement parts are installed.
- Do not use this item in a way inconsistent with the manufacturer's instructions as this could void the product warranty.

TOOLS REQUIRED



DRILL



ALLEN WRENCH
(2, PROVIDED)



SMALL
WRENCH



LADDER



2 PERSON
ASSEMBLY



UP TO 120 MIN.
ASSEMBLY

HARDWARE

19 M6 x 15mm SCREW



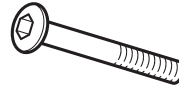
68 PCS

20 M6 x 45mm SCREW



32 PCS

21 M6 x 65mm SCREW



6 PCS

22 M4 NUT



30 PCS

23 M4 x 25mm SCREW



5 PCS

24 EYE BOLT



5 PCS

25 EYE BOLT/WHEEL



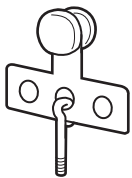
19 PCS

26 M4 x 10mm SCREW



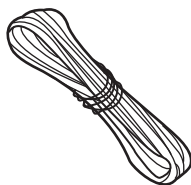
30 PCS

27 EYE BOLT/PLATE



1 PC

28 STRING



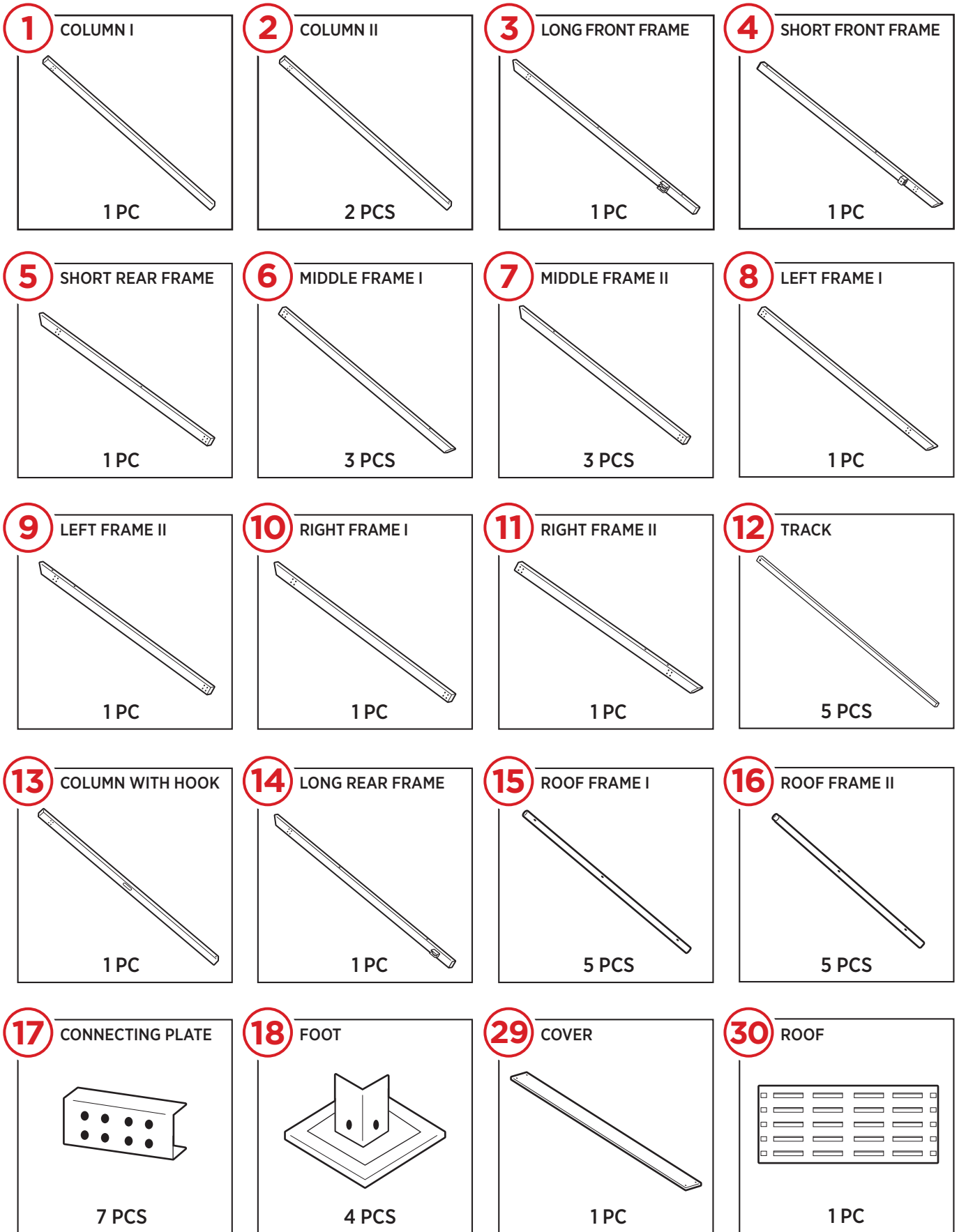
1 PC

31 STAKE



16 PCS

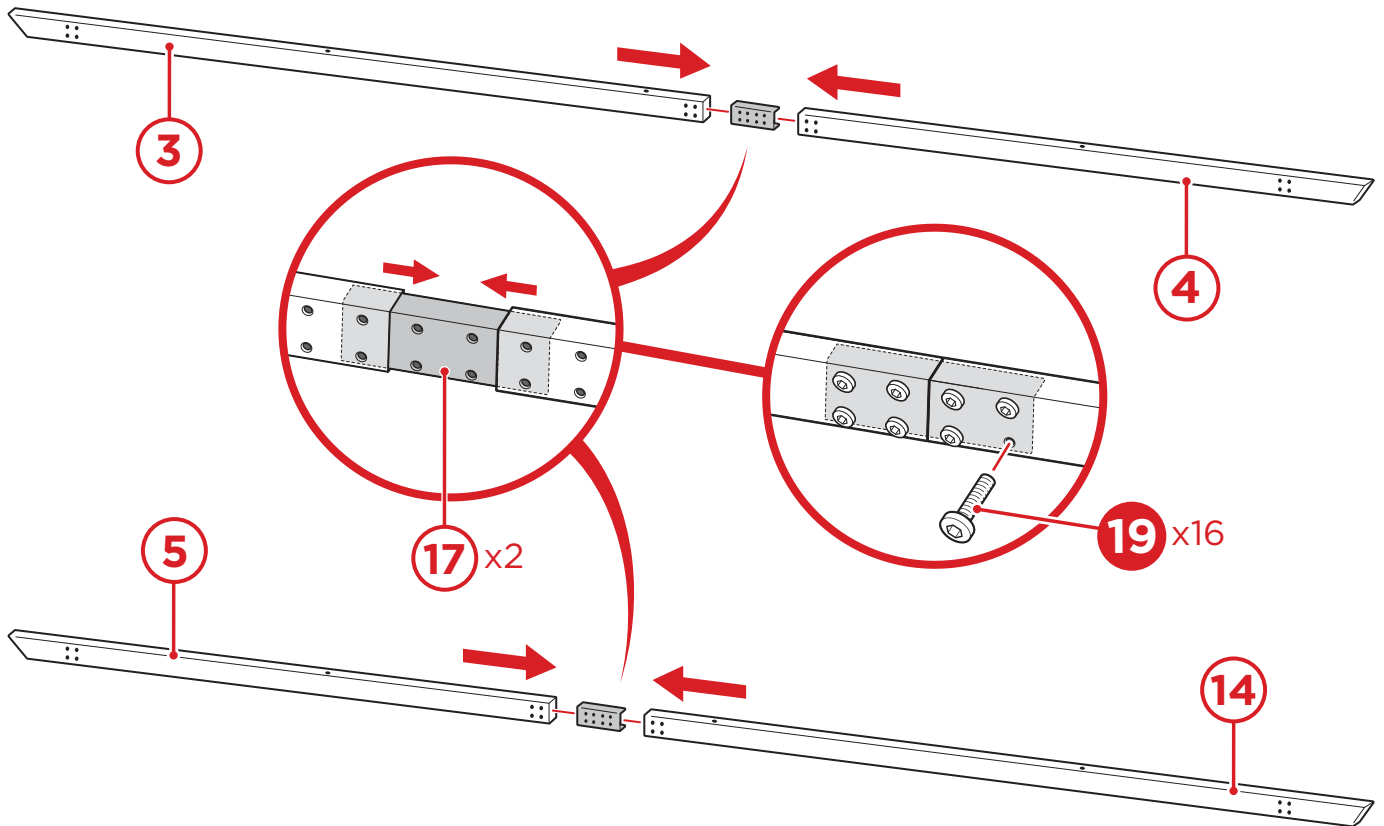
PARTS



PRODUCT ASSEMBLY

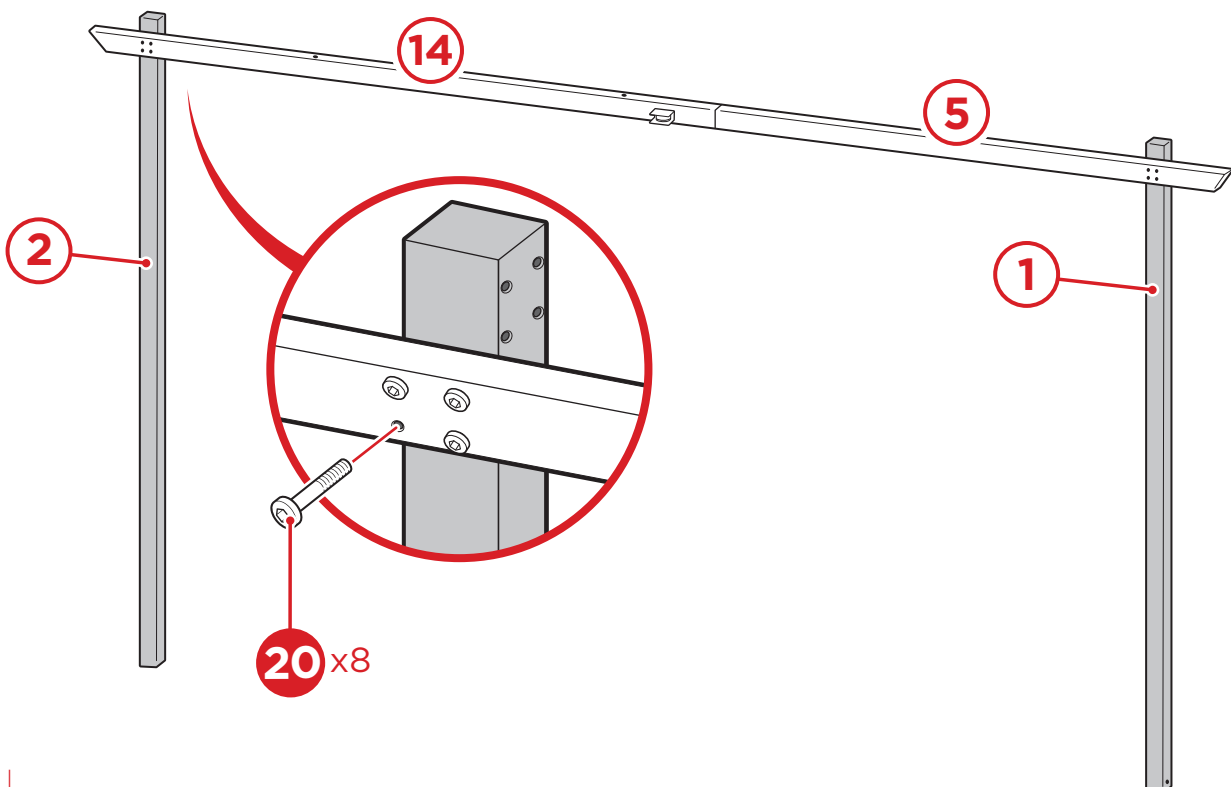
1

Slide a part 17 connecting plate into a part 3 long front frame and part 4 short front frame. Attach the front frame pieces to the connecting plate with eight part 19 screws. Repeat with the part 5 short rear frame and part 14 long rear frame.



2

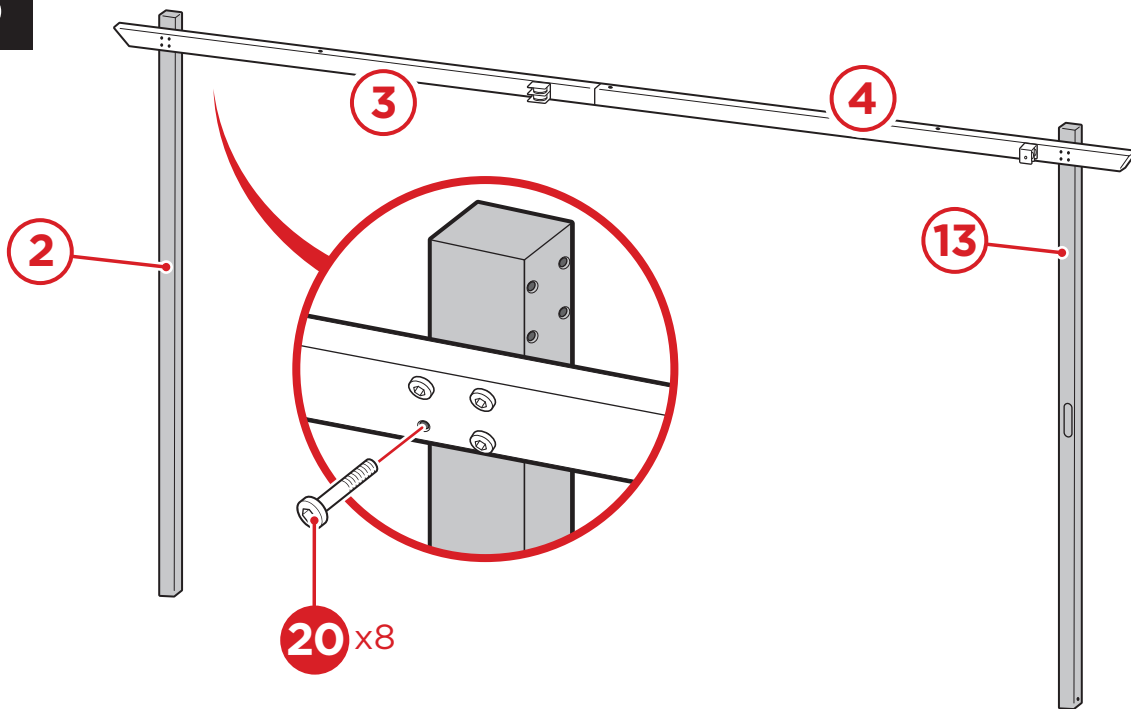
Attach the rear frame to a part 1 column I and part 2 column II with eight part 20 screws.



PRODUCT ASSEMBLY

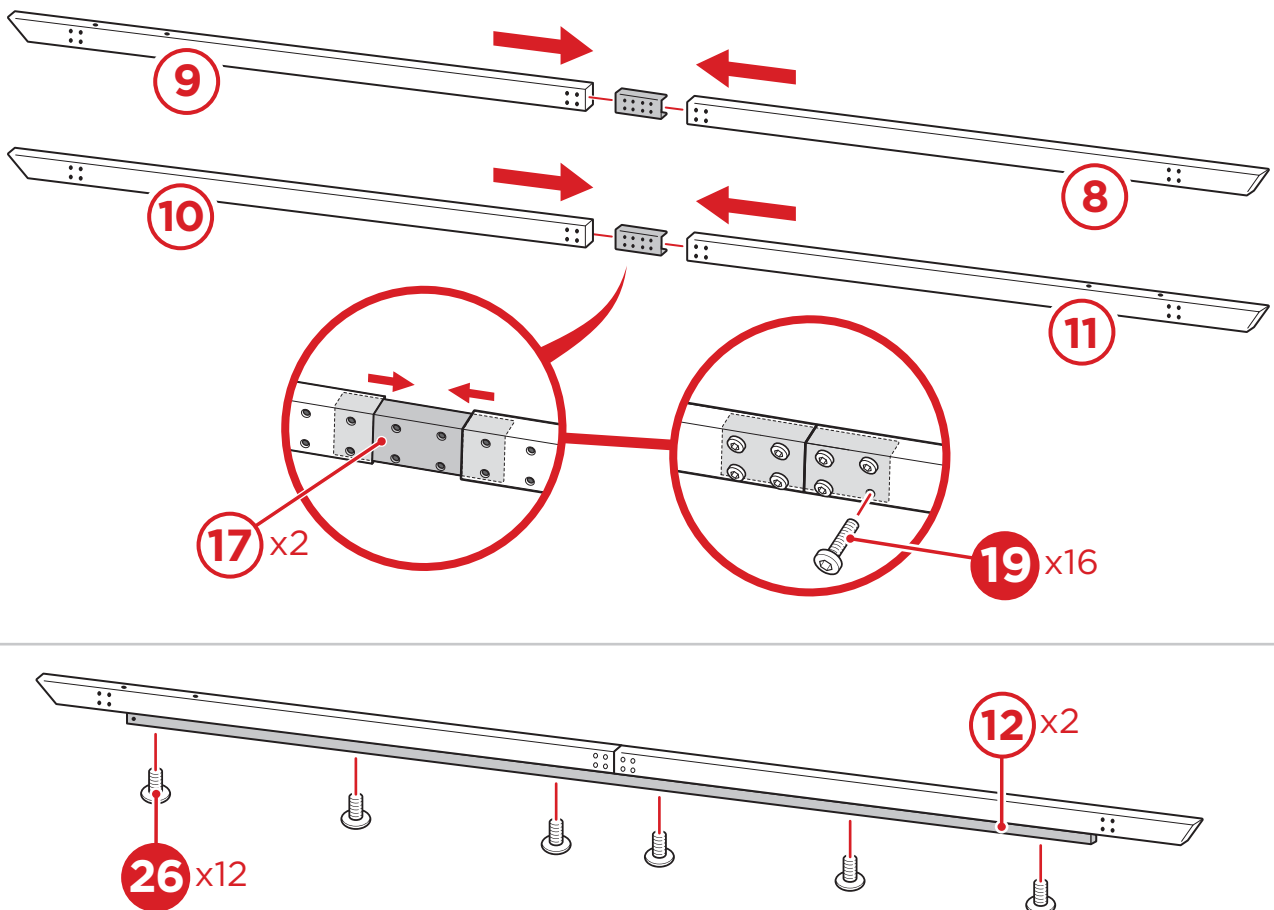
3

Attach the front frame to a part 2 column II and part 13 column with hook with eight part 20 screws.



4

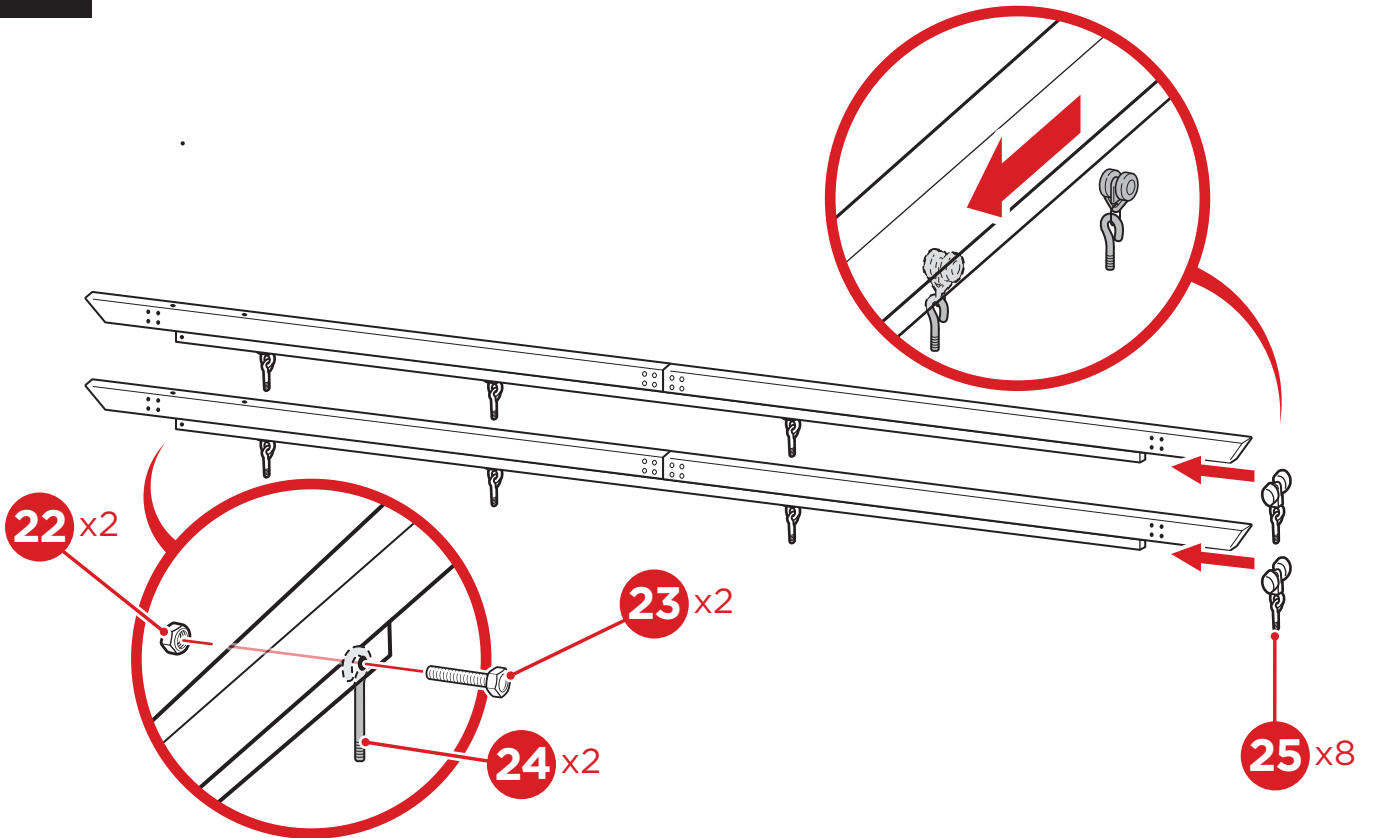
Slide a part 17 connecting plate into a part 8 left frame I and part 9 left frame II. Attach the left frame pieces to the connecting plate with eight part 19 screws. Attach a part 12 track with six part 26 screws. Repeat with the part 10 right frame I and part 11 right frame II.



PRODUCT ASSEMBLY

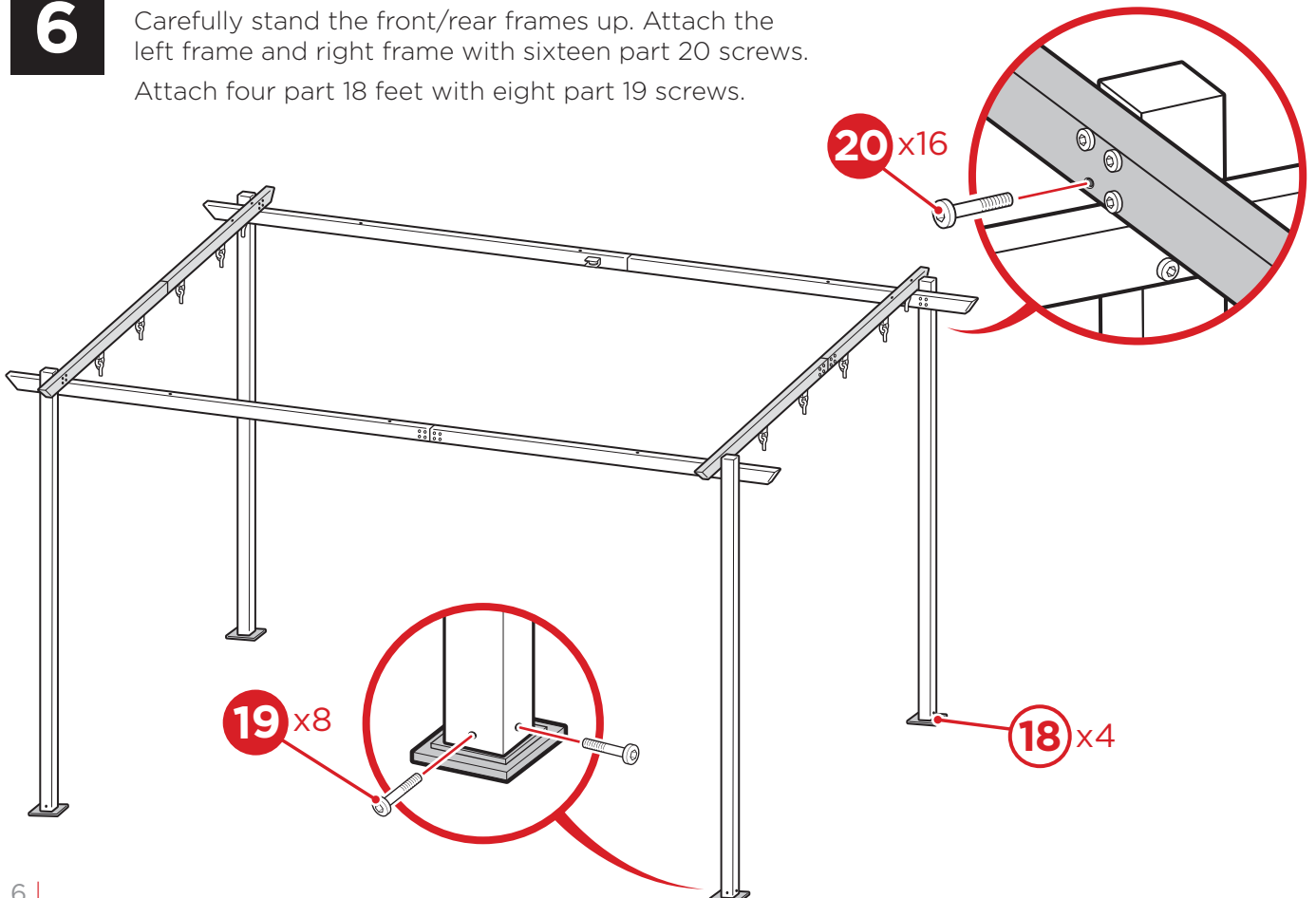
5

Insert the wheels on eight part 25 eye bolt/wheels onto the left/right frames. Attach two part 24 eyebolts with two part 23 screws and two part 22 nuts.



6

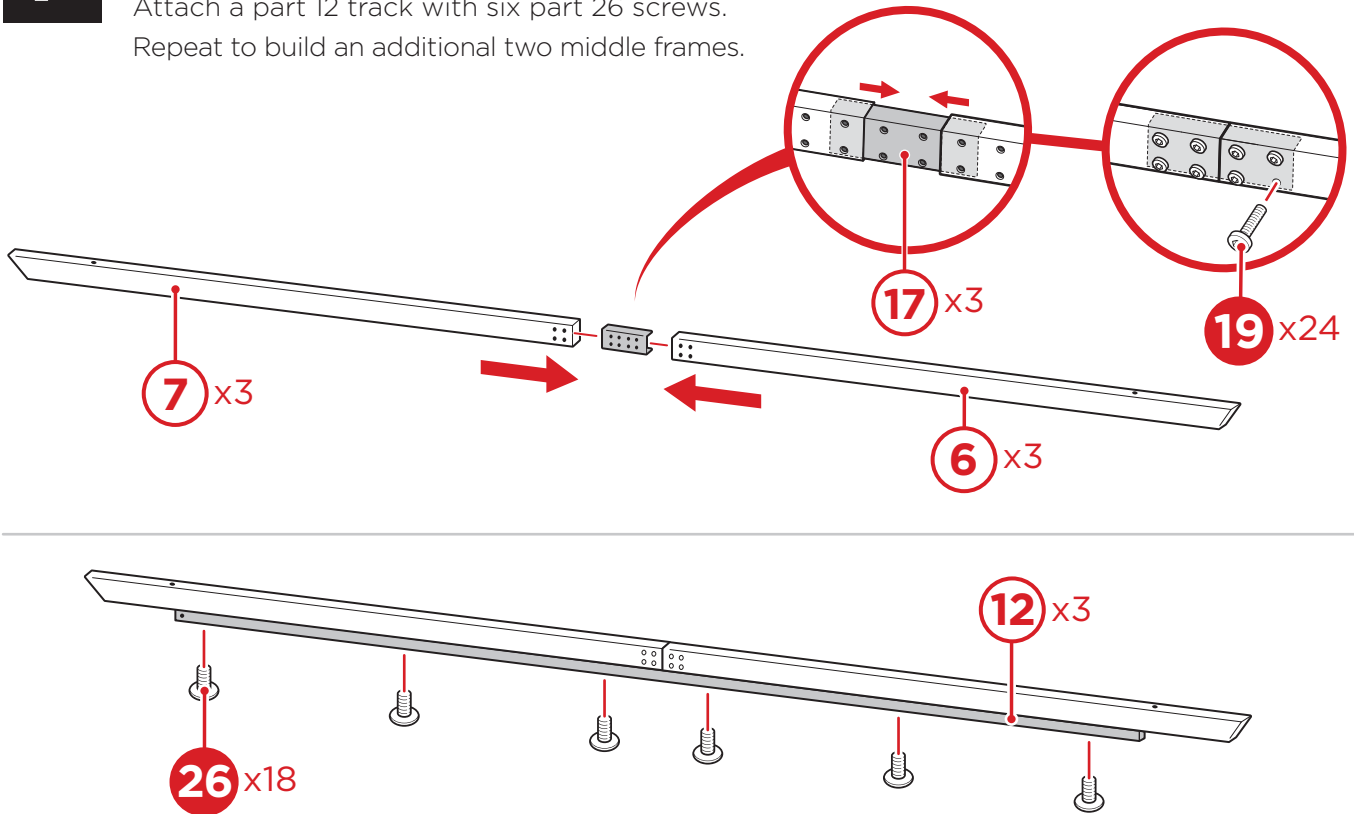
Carefully stand the front/rear frames up. Attach the left frame and right frame with sixteen part 20 screws. Attach four part 18 feet with eight part 19 screws.



PRODUCT ASSEMBLY

7

Slide a part 17 connecting plate into a part 6 middle frame I and part 7 middle frame II. Attach the middle frame pieces to the connecting plate with eight part 19 screws. Attach a part 12 track with six part 26 screws. Repeat to build an additional two middle frames.

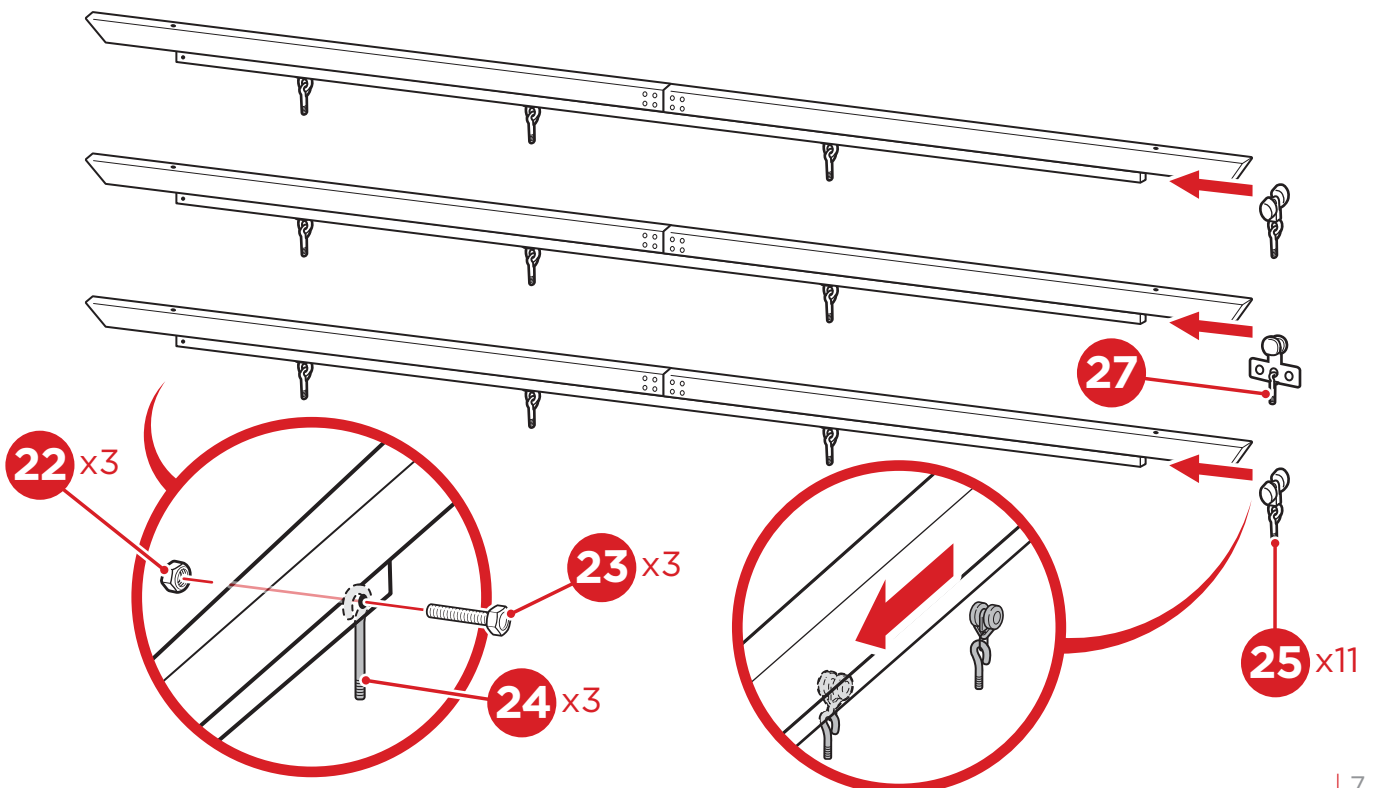


8

Insert the wheels on eleven part 25 eye bolt/wheels and a part 27 eye bolt/plate onto the three middle frames.

Attach three part 24 eyebolts with three part 23 screws and three part 22 nuts.

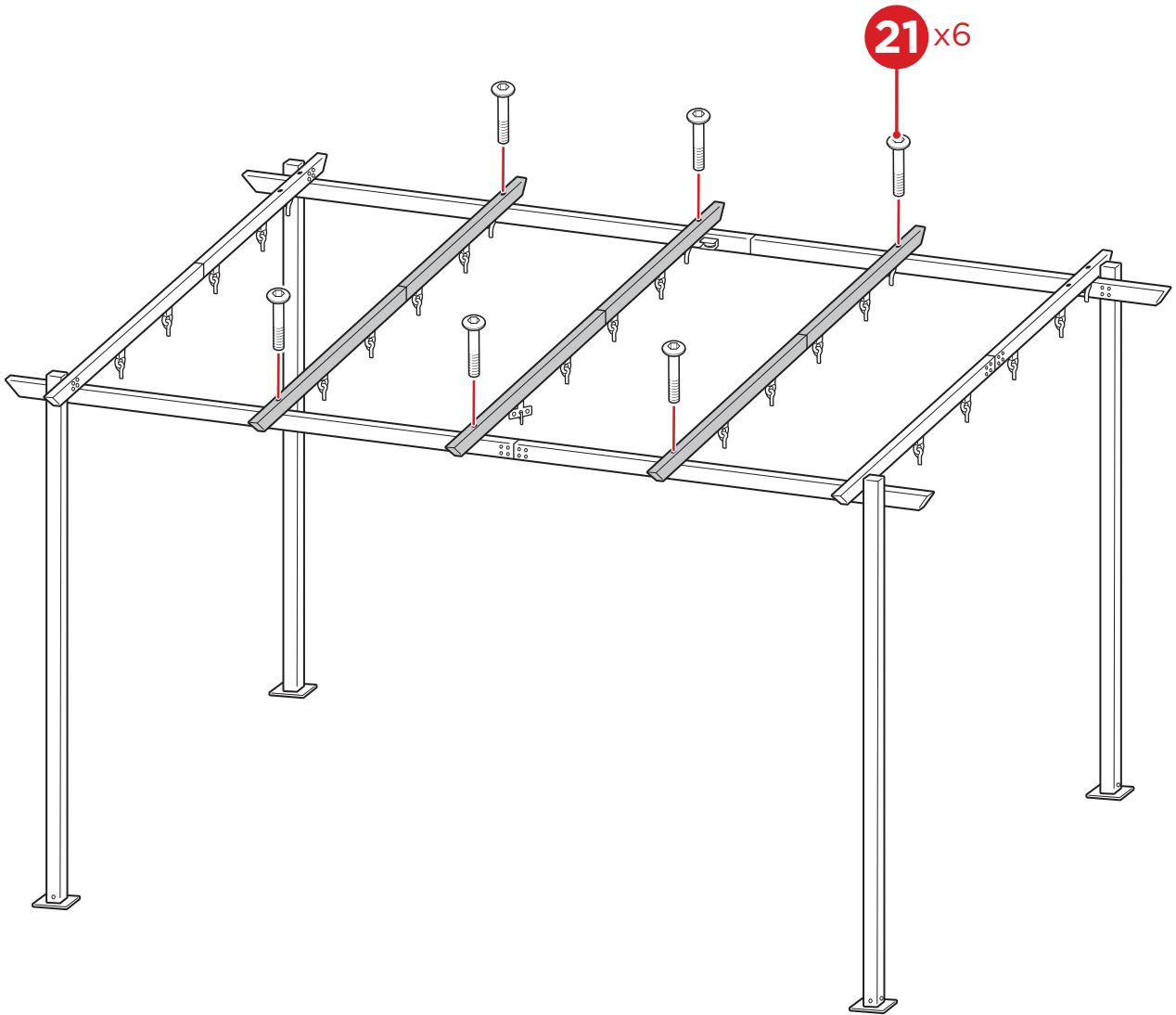
NOTE: The eye bolt/plate must be at the end of a middle frame.



PRODUCT ASSEMBLY

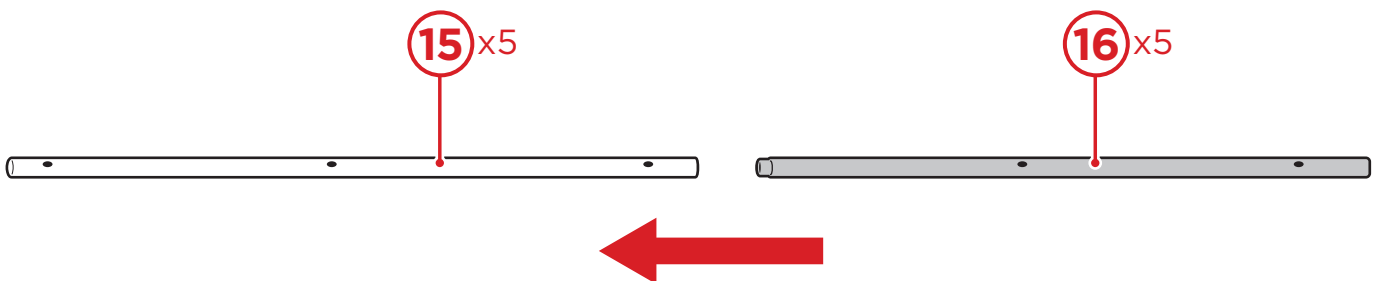
9

Attach the three middle frames with six part 21 screws.



10

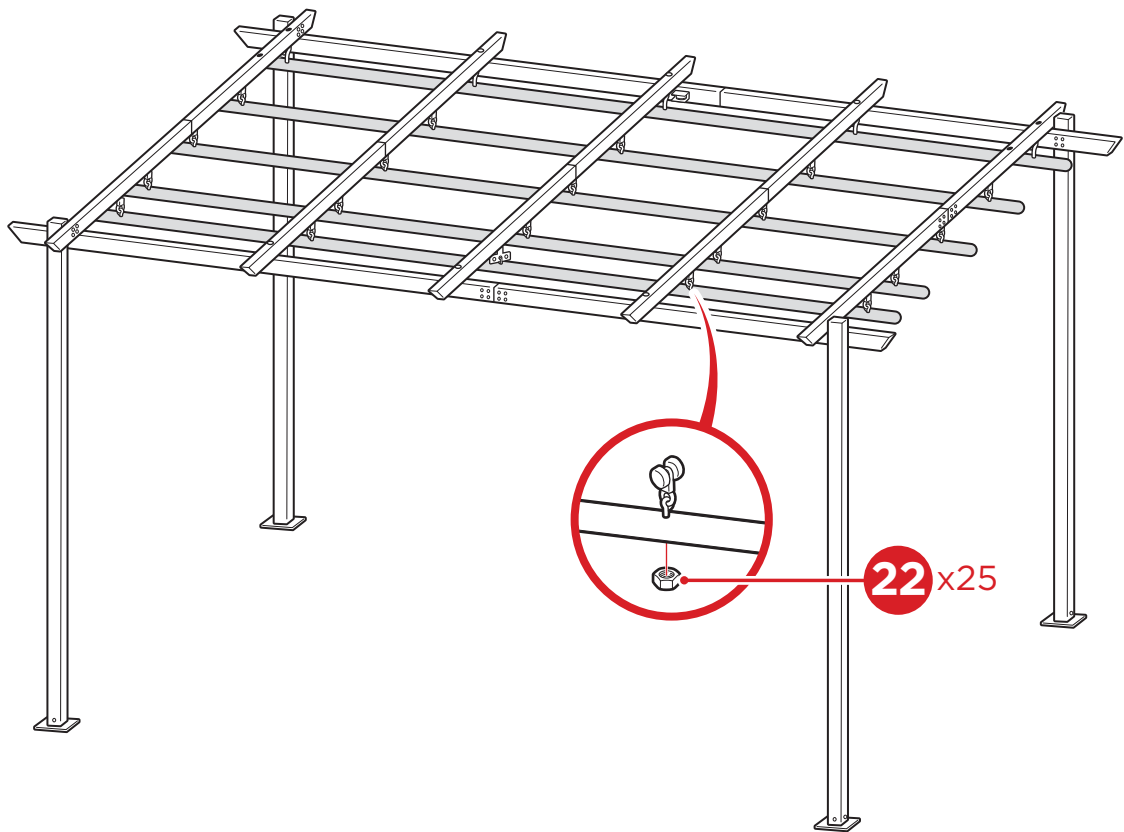
Slide five part 15 roof frame I into five part 16 roof frame II.



PRODUCT ASSEMBLY

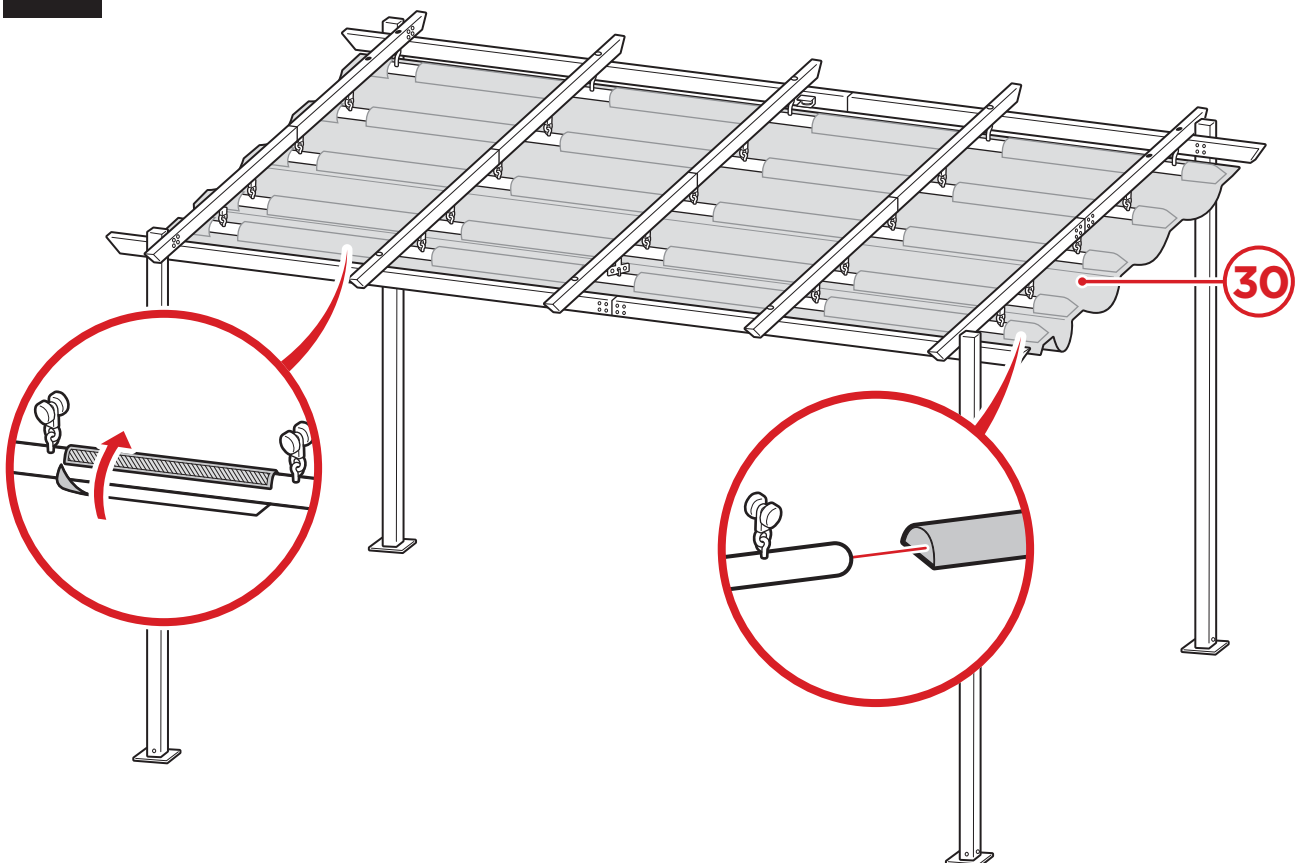
11

Attach the five roof frames with twenty-five part 22 nuts.



12

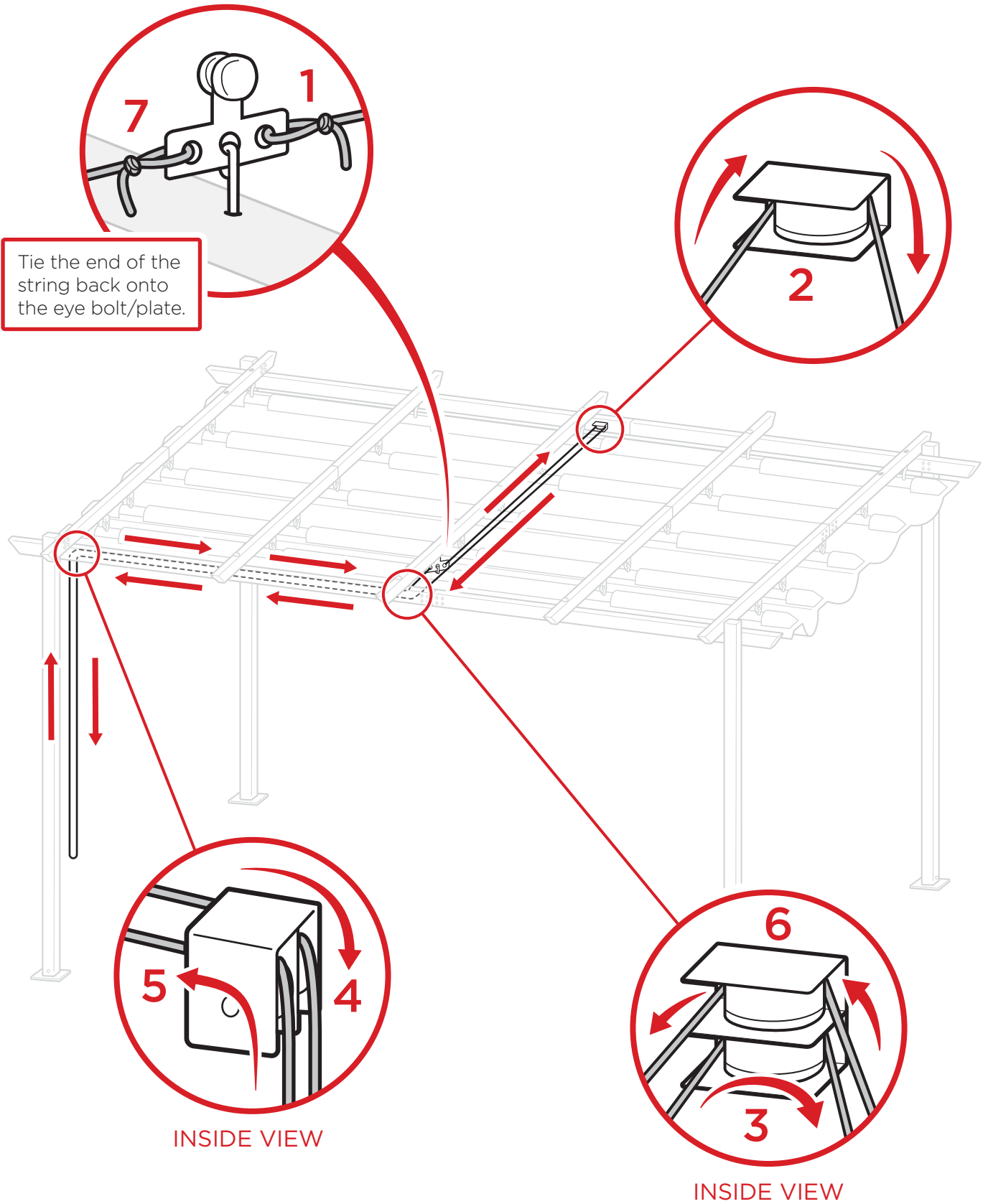
Attach the part 30 roof with the attached adhesive strips.



PRODUCT ASSEMBLY

13

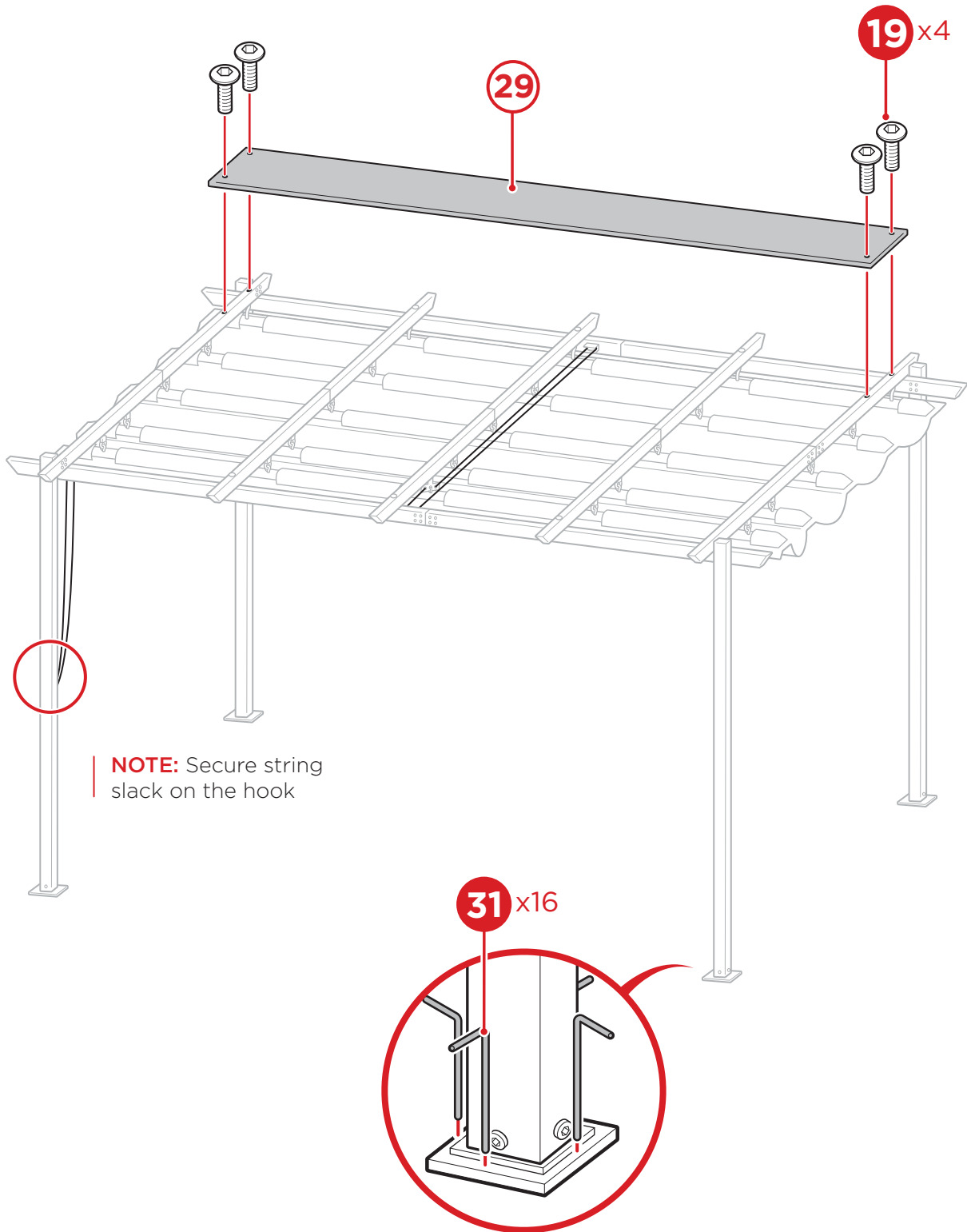
Tie the part 28 string to the part 27 eye bolt/plate.
Follow steps to route the string through the pulleys:



PRODUCT ASSEMBLY

14

Attach the part 29 cover with four part 19 screws.
If necessary, secure the columns to the ground with sixteen part 31 stakes.





HELP CENTER



Question about your product? We're here to help. Visit us at:

help.bestchoiceproducts.com



Chat Support



Product Inquiry



Orders FAQ



Product Assembly



Returns & Refunds

PRODUCT WARRANTY INFORMATION

All items can be returned for any reason within 60 days of the receipt and will receive a full refund as long as the item is returned in its original product packaging and all accessories from its original shipment are included. All returned items will receive a full refund back to the original payment method. All returned items will not be charged a re-stocking fee.

All returned items require an RA (Return Authorization) number, which can only be provided by a Best Choice Products Customer Service Representative when the return request is submitted. Items received without an RA may not be accepted or may increase your return processing time. Once an item has been received by Best Choice Products, refunds or replacements will be processed within 5 business days.

All returns must be shipped back to the Best Choice Products Return Center at the customer's expense. If the reason for return is a result of an error by Best Choice Products then Best Choice Products will provide a pre-paid shipping label via email. Boxes for return shipping will not be provided by Best Choice Products, and is the customer's responsibility to either use the original shipping boxes or purchase new boxes.

Pictures may be required for some returns to ensure an item is not damaged prior to its return. Items returned are not considered undamaged until they are received by Best Choice Products and verified as such. All damages to items are the customer's responsibility until the item has been received by and acknowledge by Best Choice Products as undamaged.

WARNING

Manufacturer and seller expressly disclaim any and all liability for personal injury, property damage or loss, whether direct, indirect, or incidental, resulting from the incorrect attachment, improper use, inadequate maintenance, or neglect of this product.