



STORE+® 36" x 34" Vikrell® shower, center drain 72300100



Features

- 3-1/8" (79 mm) threshold
- Durable high-gloss finish
- Three-piece tongue-and-groove walls with snap-together installation
- Includes four rimmed shelves, two large bins, two shower hooks and two soap dishes with towel bars; shaving ledge/footrest

Material

- Made from solid Vikrell® material for strength, durability, and lasting beauty

Installation

- Alcove
- Center drain
- Caulk-free installation

Recommended Products/Accessories

- 80001012 12" straight grab bar
- 80001018 18" straight grab bar
- 80001024 24" straight grab bar
- K-23726 Drain treatment

Included Components

- 72301100 36" x 34" Vikrell® shower base, center drain
- 72302100 36" Vikrell® shower back wall
- 72305100 34" Vikrell® shower end wall set



Codes/Standards

- CSA B45.5/IAPMO Z124
- ASTM E162
- ASTM E662
- HUD, UM Bulletin 73


STERLING® Vikrell® or Acrylic Baths and Shower Bases Ten-Year Limited Warranty

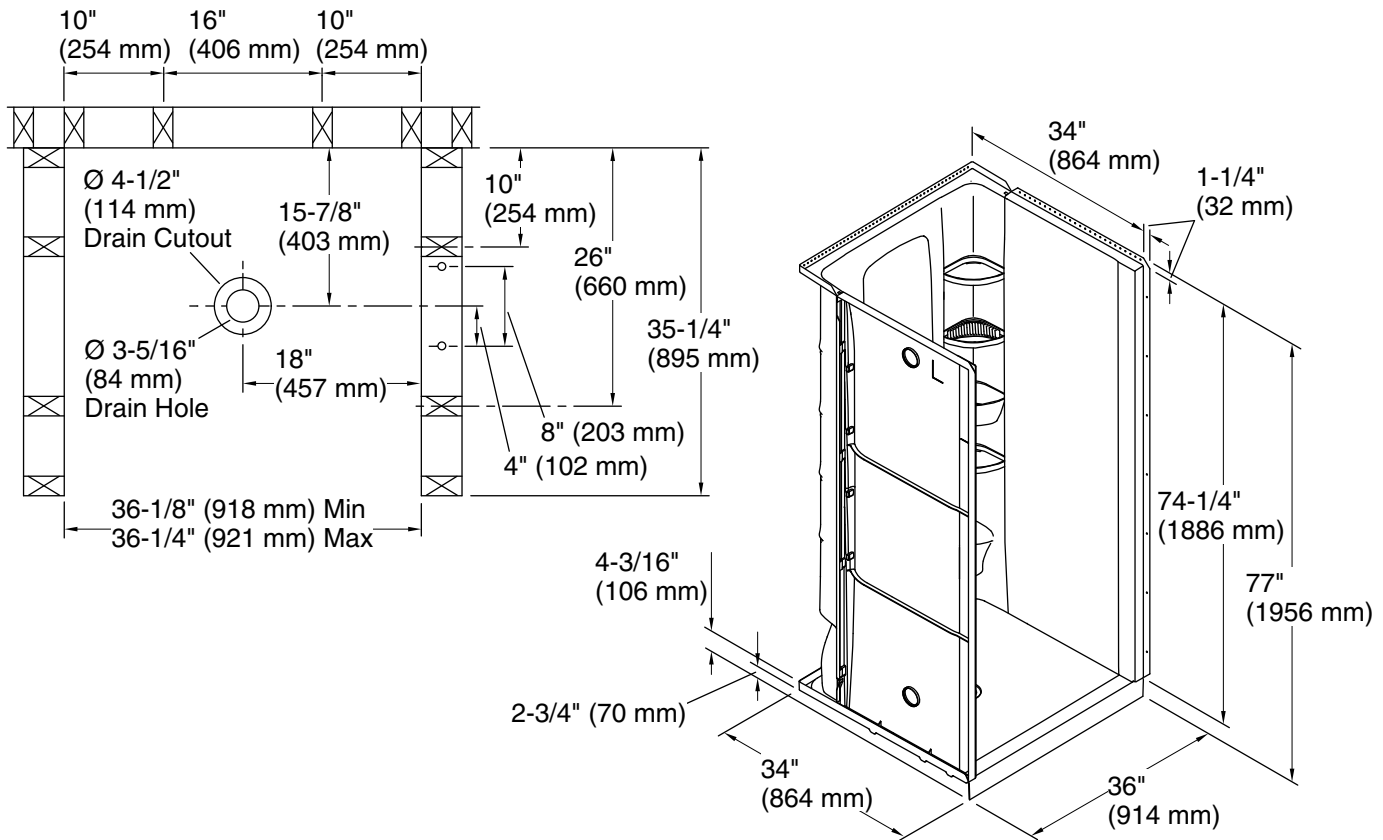
See website for detailed warranty information.

Available Colors/Finishes

Color tiles intended for reference only.

Color	Code	Description
-------	------	-------------

	0	White
---	---	-------



Technical Information

All product dimensions are nominal.

Drain location:	Center
Basin area, bottom:	29-3/16" x 32-3/4" (742 mm x 832 mm)
Basin area, top:	29-3/16" x 32-3/4" (742 mm x 832 mm)
Weight:	92.4 lbs (41.9 kg)
Minimum flat for door:	2-1/2" (64 mm)
Maximum door height:	72-1/2" (1842 mm)
Maximum door width:	32-3/4" (832 mm)

Notes

Install this product according to the installation instructions.
Studs should be positioned roughly as shown. Double studding is recommended for pivot shower door installations.