

KALLISTA®

For Town by KALLISTA
Toilet Paper Holder
P31008-00

Features

- High-quality solid-brass construction for durability and reliability

Installation

- Includes hex wrench for installation

Recommended Products/Accessories

P31001-00 Towel Bar, 12"

P70303-AD Toilet Seat



Codes/Standards

None Applicable

KALLISTA® Five-Year Limited Warranty

See website for detailed warranty information.

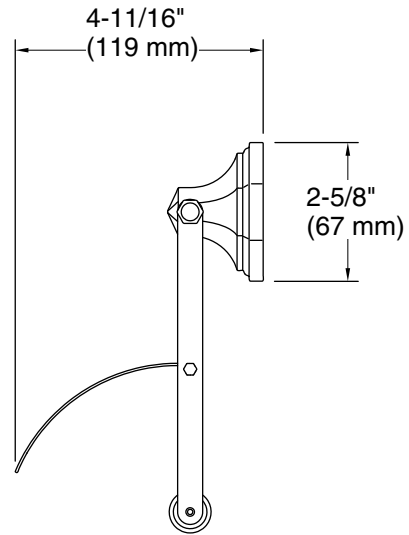
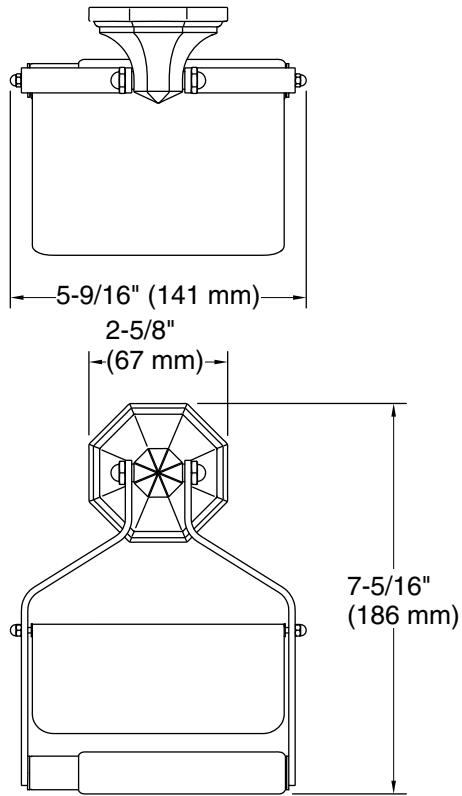
Available Colors/Finishes

Color tiles intended for reference only.

Color	Code	Description
	AD	Nickel Silver
	CP	Polished Chrome

KALLISTA

For Town by KALLISTA
Toilet Paper Holder
P31008-00



Technical Information

All product dimensions are nominal.

Material: Brass