



# Verta Dummy Trim Installation Instructions

## Tools required

- Tape measure
- Soft pencil
- Level
- 6.5mm drill bit
- Power drill
- Philips screwdriver

Note:

Check door thickness first

- For doors 35-40mm thick, use 20mm M4 screws (x2)
- For doors 40-50mm thick, use 30mm M4 screws (x2)

## Instruction steps

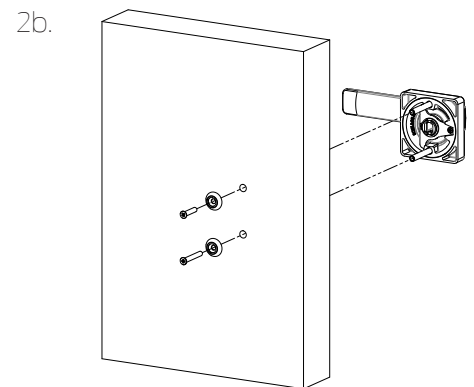
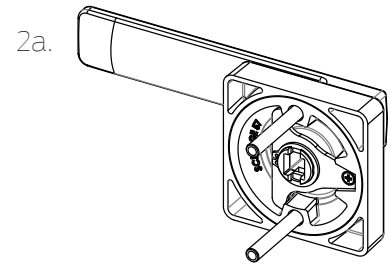
### 1. Prepare door (template attached)

If door is predrilled, go to step 2, otherwise follow the steps below

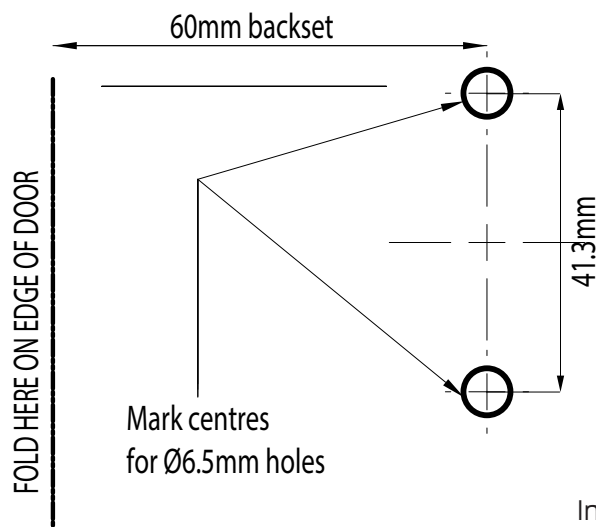
- With a soft pencil, mark holes as per template
- Check alignment using a level
- Drill holes

### 2. Furniture installation

- a. Screw studs on to rose as shown
- b. Align studs with drilled holes, and secure with M4 screws and washers



## Drilling Template



Important: Double check dimensions if printing from an electronic version