

# ASSEMBLY INSTRUCTION

## TUFTED ACCENT CHAIR

**A** Chair Body



1pc

**B** Front Leg



2pcs

**C** Back Leg



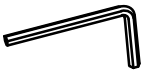
2pcs

**D** Bolt  
Ø5/16"x3"

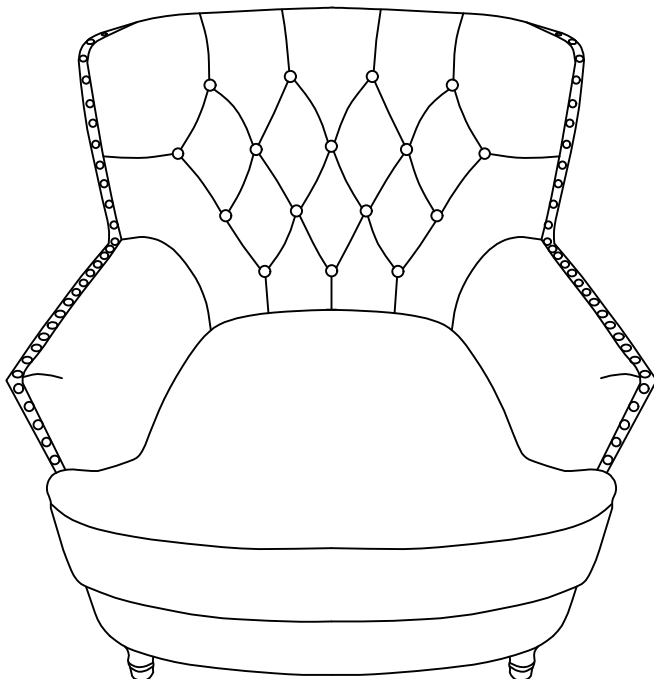


2pcs

**E** Allen Key  
M5

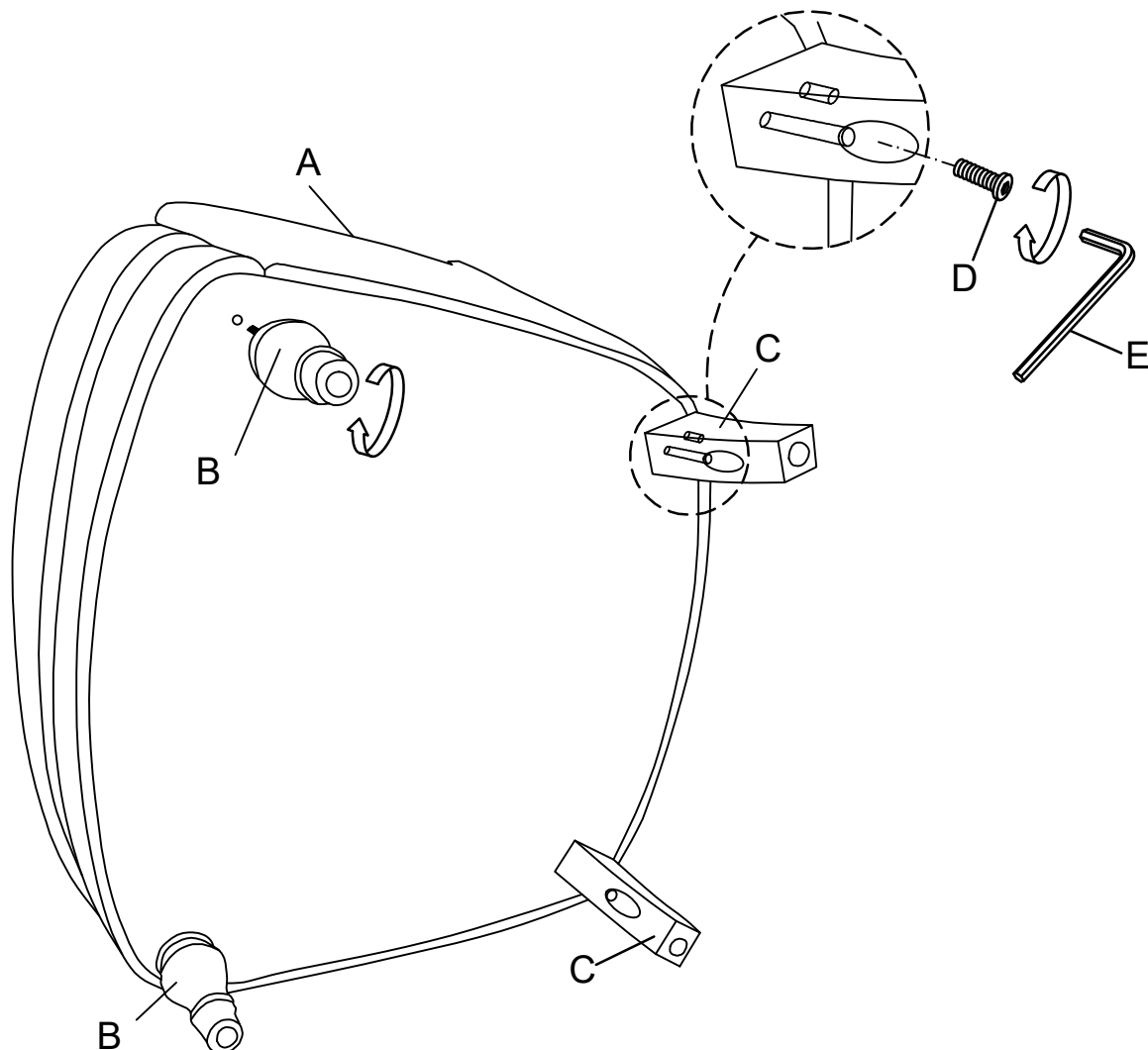


1pc



This page lists all the contents included in the box. Please take the time to identify the hardware as well as the individual components to this product. As you unpack and prepare for assembly, place the contents on a carpeted or padded area to protect them from damage.

- 1 Assemble Front Leg (B) to Chair Body (A) and rotate them, then assemble Back Leg (C) to Chair Body (A) using Bolt (D) by Allen Key (E) as below shown.



### Cleaning & Care

Treat surface with care. Surface is resistant to scratches but is not scratch resistant. Clean surfaces with a dry or damp soft cloth. Do not use abrasive cleaners. Hardware may loosen over time. Periodically check that all connections are tight.