



Z5880

22" x 18" Cast Iron Service Sink

TAG _____

Z5880 Series

- 22" [559 mm] x 18" [457 mm]
- Enameled cast iron
- Plain back (no faucet holes) or 8" center faucet holes
- Complete with stainless steel rim guard and wall hanger
- For use with trap standard
- Depth: 11-1/4"
- Shipping Weight: 115 lbs.

Engineering Specification:

- Z5880** 22" x 18" enameled cast iron service sink with 9" backsplash and no faucet holes. Provided with hanger plate and U-type rim guard.
- Z5888** 22" x 18" enameled cast iron service sink with 9" backsplash and 8" center faucet holes. Provided with hanger plate and U-type rim guard.

This space is for Architectural/engineering Approval

Z5880 Series

Recommended Trim:

- Z5900-IP2** Cast Iron Exposed Trap with 2" IPS Outlet
- Z5900-IP3** Cast Iron Exposed Trap with 3" IPS Outlet
- Z843M1** 8" Service Sink Faucet

See Zurn One Systems for suggested packages.

ZURN INDUSTRIES, LLC. ♦ COMMERCIAL BRASS OPERATION
 5900 ELWIN BUCHANAN DRIVE ♦ SANFORD NC 27330
 Phone: 1-800-997-3876 ♦ Fax: 919-775-3541
 www.zurn.com
 In Canada: ZURN INDUSTRIES LIMITED
 3544 Nashua Drive ♦ Mississauga, Ontario L4V1L2
 Phone: 905-405-8272 Fax: 905-405-1292

These dimensions and specifications are subject to change without notice.

Fixture dimensions meet ANSI/ASME standard A112.19.2 and CAN/CSA B45 requirements.



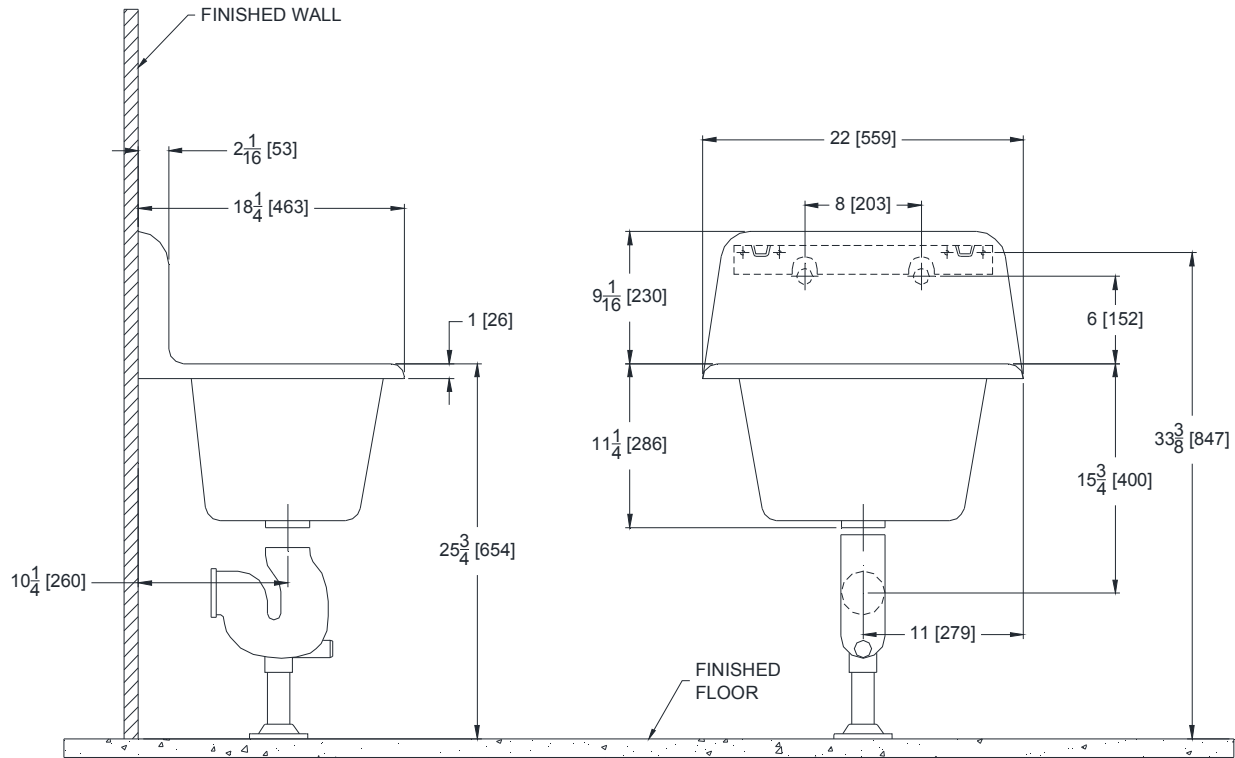
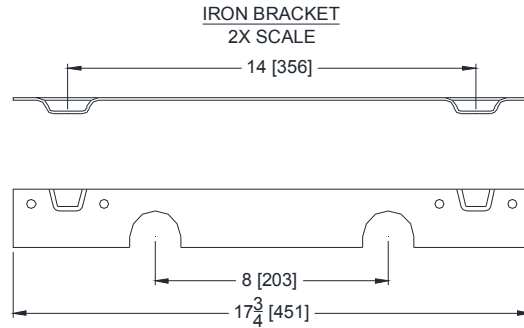
Z5880

22" x 18" Cast Iron Service Sink Rough-In

TAG _____

Rough-in dimensions for Z5880 Series

- Z5880 Lavatory with no faucet holes
- Z5888 Lavatory with 8" center faucet holes



Notes: Rough-in for concealed arm carrier, see Zurn Z1224 or Z1236 Rough-in sheet.
New hanger bracket rough-in Spring 2015

These dimensions and specifications are subject to change without notice.

Fixture dimensions meet ANSI/ASME standard A112.19.2 and CAN/CSA B45 requirements.

ZURN INDUSTRIES, LLC. ♦ COMMERCIAL BRASS OPERATION
5900 ELWIN BUCHANAN DRIVE ♦ SANFORD NC 27330
Phone: 1-800-997-3876 ♦ Fax: 919-775-3541
www.zurn.com
In Canada: ZURN INDUSTRIES LIMITED
3544 Nashua Drive ♦ Mississauga, Ontario L4V1L2
Phone: 905-405-8272 Fax: 905-405-1292