

## Fig. CT-128R

## Rod Threaded Ceiling Flange

**Size Range:**  $\frac{3}{8}$ " and  $\frac{1}{2}$ "

**Material:** Malleable iron

**Finish:** Copper plated

**Service:** Recommended for attachment to wood beams or ceiling.

**Ordering:** Specify rod size, figure number, name.

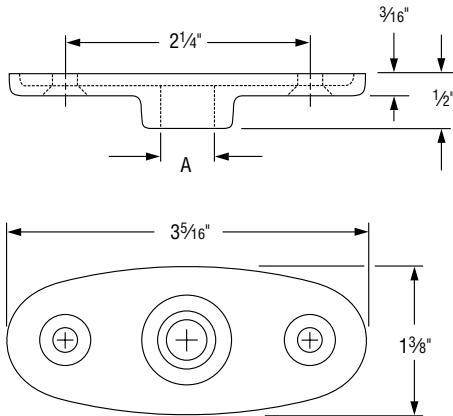


FIG. CT-128R: DIMENSIONS (IN) • LOADS (LBS) • WEIGHT (LBS)				
Rod Size A	Max Load	Weight	Screws	
			Quantity	Size No.
$\frac{3}{8}$	180	0.16	2	12
$\frac{1}{2}$				

PROJECT INFORMATION		APPROVAL STAMP	
Project:		<input type="checkbox"/> Approved	
Address:		<input type="checkbox"/> Approved as noted	
Contractor:		<input type="checkbox"/> Not approved	
Engineer:		Remarks:	
Submittal Date:			
Notes 1:			
Notes 2:			