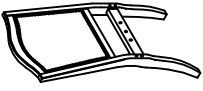
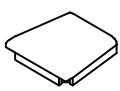


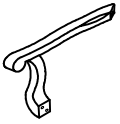


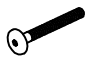




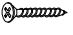
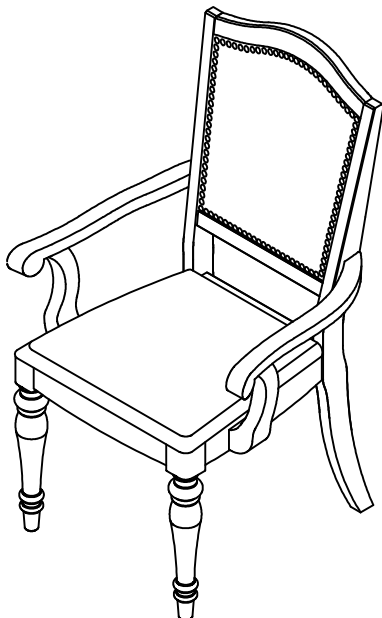


# ASSEMBLY INSTRUCTION

## 2615DCA ( 3A ) NAILHEAD ARM CHAIR

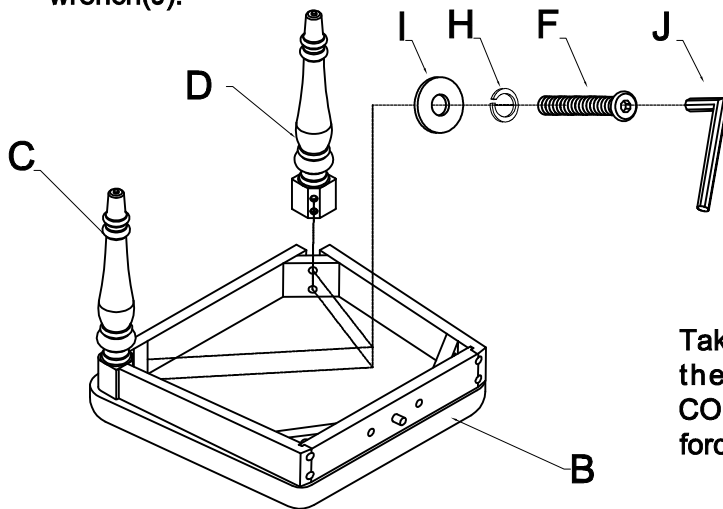
<b>A</b> Chairback	<b>B</b> Seat	<b>C</b> Left Front Leg	<b>D</b> Right Front Leg
			
1 pc	1 pc	1 pc	1 pc
<b>E</b> Left Arm	<b>F</b> Right Arm	<b>G</b> Bolt 3"	<b>H</b> Bolt 2"
			
1 pc	1 pc	4 pcs	4 pcs
<b>I</b> Bolt 1-1/2"	<b>J</b> Lock Washer	<b>K</b> Flat Washer	<b>L</b> Allen Wrench
			
6 pcs	14 pcs	14 pcs	1 pc
<b>M</b> Screw			
			
2 pcs			



This page lists all the contents included in the box. Please take the time to identify the hardware as well as the individual components to this product. As you unpack and prepare for assembly, place the contents on a carpeted or padded area to protect them from damage.

**1**

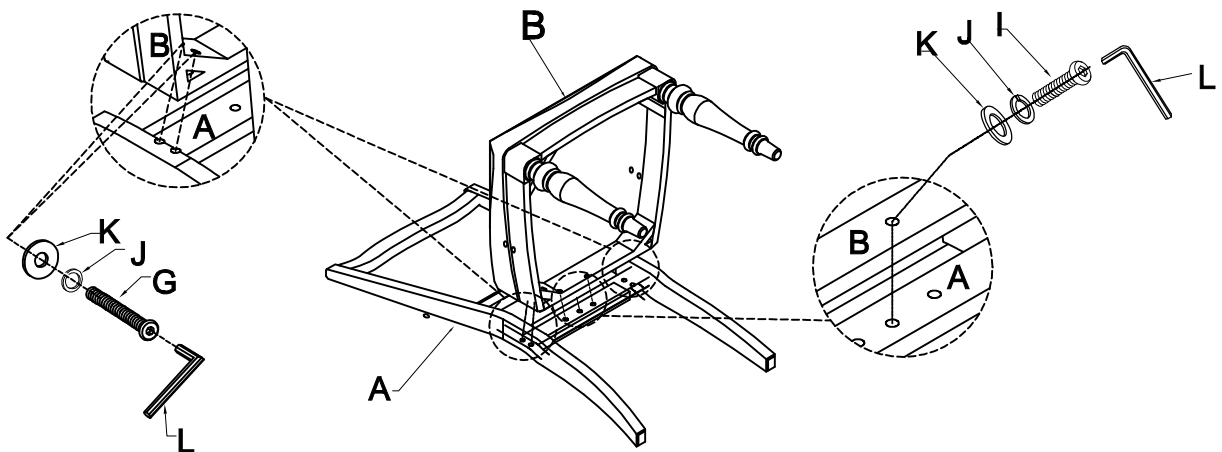
Place the seat (B) upside down smooth carpet surface. Tighten the Left Front Leg (C) and Right Front Leg(D) on the corner blocks by bolts(F), lock washers(H) and flat washers(I) with allen wrench(J).



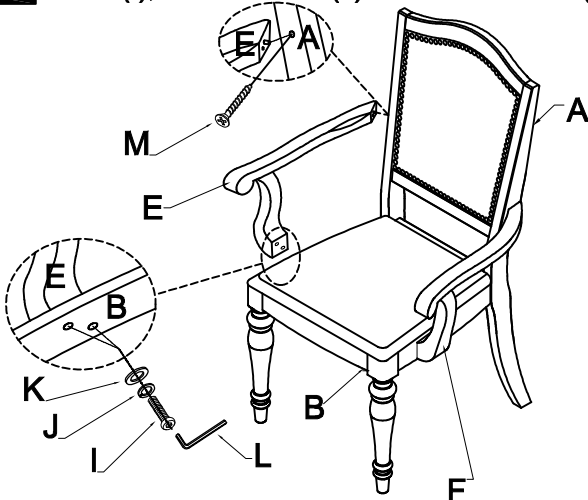
Take the Allen Wrench, and turn the bolts until the legs are secure. **DO NOT TIGHTEN COMPLETELY.** Stop when feel you are adding force to tighten the bolt.

**2**

Tighten the seat(B) on the chairback(A) by bolts(G)(I), lock washers(J) and flat washers(K) with allen wrench(L).

**3**

Tighten the left arm(E) and the right arm(F) on the chairback(A) and seat(B) by screw(M), bolts(I), lock washers(J) and flat washers(K) with allen wrench(L).



Stand chair up on an even surface and check that it is balanced. If there is a slight wobble, apply downward pressure in the corner where a leg is uneven. Keeping pressure in that corner, tighten all bolts. If balanced, apply downward pressure evenly in the center and tighten all bolts. Do not over-tighten beyond hole depth.

**Helpful Tip:**

-Instead of applying downward pressure while reaching under to tighten bolts, have someone sit on the chair while you tighten the bolts.

### Cleaning & Care

Treat surface with care. Surface is resistant to scratches but is not scratch resistant. Clean surfaces with a dry or damp soft cloth. Do not use abrasive cleaners. Hardware may loosen over time. Periodically check that all connections are tight.